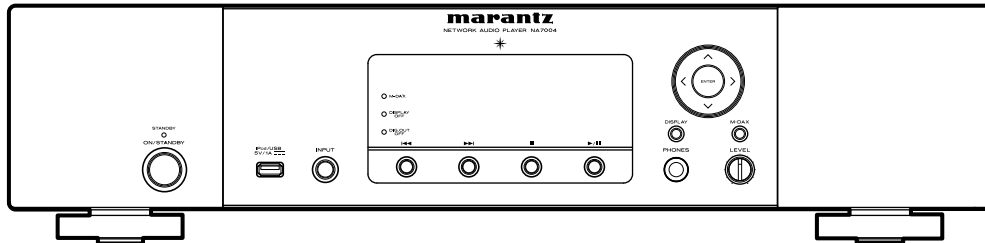


Service Manual

NA7004 /N1B/N1SG
U1B/K1B

NA7004

Network Audio Player



• For purposes of improvement, specifications and design are subject to change without notice.

• Please use this service manual with referring to the operating instructions without fail.

• Some illustrations using in this service manual are slightly different from the actual set.

marantz®

NA7004

Ver. 2

Please refer to the
MODIFICATION NOTICE.

MARANTZ DESIGN AND SERVICE

Using superior design and selected high grade components, **MARANTZ** company has created the ultimate in stereo sound. Only original **MARANTZ** parts can insure that your **MARANTZ** product will continue to perform to the specifications for which it is famous.

Parts for your **MARANTZ** equipment are generally available to our National Marantz Subsidiary or Agent.

ORDERING PARTS :

Parts can be ordered either by mail or by Fax.. In both cases, the correct part number has to be specified.

The following information must be supplied to eliminate delays in processing your order :

1. Complete address
2. Complete part numbers and quantities required
3. Description of parts
4. Model number for which part is required
5. Way of shipment
6. Signature : any order form or Fax. must be signed, otherwise such part order will be considered as null and void.

USA

MARANTZ AMERICA, INC
100 CORPORATE DRIVE
MAHWAH, NEW JERSEY 07430
USA

EUROPE / TRADING

D&M EUROPE B. V.
P. O. BOX 8744, BUILDING SILVERPOINT
BEEEMDSTRAAT 11, 5653 MA EINDHOVEN
THE NETHERLANDS
PHONE : +31 - 40 - 2507844
FAX : +31 - 40 - 2507860

CANADA

D&M Canada Inc.
5-505 APPLE CREEK BLVD.
MARKHAM, ONTARIO L3R 5B1
CANADA
PHONE : 905 - 415 - 9292
FAX : 905 - 475 - 4159

JAPAN

D&M Holdings Inc.
D&M BUILDING, 2-1 NISSHIN-CHO,
KAWASAKI-KU, KAWASAKI-SHI,
KANAGAWA, 210-8569 JAPAN

株式会社 ディーアンドエムホールディングス

本 社 〒210-8569
神奈川県川崎市川崎区日進町2-1 D&Mビル

KOREA

D&M SALES AND MARKETING KOREA LTD.
2F, YEON BLDG.,
88-5, BANPO-DONG, SEOCHO-GU,
SEOUL KOREA
PHONE : +82 - 2 - 715 - 9041
FAX : +82 - 2 - 715 - 9040

CHINA

D&M SALES AND MARKETING SHANGHAI LTD.
ROOM.808 SHANGHAI AIRPORT CITY TERMINAL
NO.1600 NANJING (WEST) ROAD, SHANGHAI,
CHINA. 200040
TEL : 021 - 6248 - 5151
FAX : 021 - 6248 - 4434

NOTE ON SAFETY :

Symbol ⚠ Fire or electrical shock hazard. Only original parts should be used to replaced any part marked with symbol ⚠.

Any other component substitution (other than original type), may increase risk of fire or electrical shock hazard.

安全上の注意 :

⚠がついている部品は、安全上重要な部品です。必ず指定されている部品番号のものを使用して下さい。

SHOCK, FIRE HAZARD SERVICE TEST :

CAUTION : After servicing this appliance and prior to returning to customer, measure the resistance between either primary AC cord connector pins (with unit NOT connected to AC mains and its Power switch ON), and the face or Front Panel of product and controls and chassis bottom.

Any resistance measurement less than 1 Megohms should cause unit to be repaired or corrected before AC power is applied, and verified before it is return to the user/customer.

Ref. UL Standard No. 60065.

In case of difficulties, do not hesitate to contact the Technical Department at above mentioned address.

091105DM/DG

SAFETY PRECAUTIONS

The following check should be performed for the continued protection of the customer and service technician.

LEAKAGE CURRENT CHECK

Before returning the unit to the customer, make sure you make either (1) a leakage current check or (2) a line to chassis resistance check. If the leakage current exceeds 0.5 milliamps, or if the resistance from chassis to either side of the power cord is less than 460 kohms, the unit is defective.

Be sure to test for leakage current with the AC plug in both polarities, in addition, in each power ON, OFF and STANDBY mode, if applicable.

CAUTION Please heed the points listed below during servicing and inspection.

◎ **Heed the cautions!**

Spots requiring particular attention when servicing, such as the cabinet, parts, chassis, etc., have cautions indicated on labels. Be sure to heed these cautions and the cautions indicated in the handling instructions.

◎ **Caution concerning electric shock!**

- (1) An AC voltage is impressed on this set, so touching internal metal parts when the set is energized could cause electric shock. Take care to avoid electric shock, by for example using an isolating transformer and gloves when servicing while the set is energized, unplugging the power cord when replacing parts, etc.
- (2) There are high voltage parts inside. Handle with extra care when the set is energized.

◎ **Caution concerning disassembly and assembly!**

Through great care is taken when manufacturing parts from sheet metal, there may in some rare cases be burrs on the edges of parts which could cause injury if fingers are moved across them. Use gloves to protect your hands.

◎ **Only use designated parts!**

The set's parts have specific safety properties (fire resistance, voltage resistance, etc.). For replacement parts, be sure to use parts which have the same properties. In particular, for the important safety parts that are marked \triangle on wiring diagrams and parts lists, be sure to use the designated parts.

◎ **Be sure to mount parts and arrange the wires as they were originally!**

For safety reasons, some parts use tape, tubes or other insulating materials, and some parts are mounted away from the surface of printed circuit boards. Care is also taken with the positions of the wires and clamps are used to keep wires away from heating and high voltage parts, so be sure to set everything back as it was originally.

◎ **Inspect for safety after servicing!**

Check that all screws, parts and wires removed or disconnected for servicing have been put back in their original positions, inspect that no parts around the area that has been serviced have been negatively affected, conduct an insulation check on the external metal connectors and between the blades of the power plug, and otherwise check that safety is ensured.

(Insulation check procedure)

Unplug the power cord from the power outlet, disconnect the antenna, plugs, etc., and turn the power switch on. Using a 500V insulation resistance tester, check that the inplug and the externally exposed metal parts (antenna terminal, headphones terminal, input terminal, etc.) is 1M Ω or greater. If it is less, the set must be inspected and repaired.

CAUTION Concerning important safety parts

Many of the electric and structural parts used in the set have special safety properties. In most cases these properties are difficult to distinguish by sight, and using replacement parts with higher ratings (rated power and withstand voltage) does not necessarily guarantee that safety performance will be preserved. Parts with safety properties are indicated as shown below on the wiring diagrams and parts lists in this service manual. Be sure to replace them with parts with the designated part number.

- (1) Schematic diagrams Indicated by the \triangle mark.
- (2) Parts lists Indicated by the \triangle mark.

Using parts other than the designated parts could result in electric shock, fires or other dangerous situations.

NOTE FOR SCHEMATIC DIAGRAM

WARNING:

Parts marked with this symbol \triangle have critical characteristics. Use ONLY replacement parts recommended by the manufacturer.

CAUTION:

Before returning the unit to the customer, make sure you make either (1) a leakage current check or (2) a line to chassis resistance check. If the leakage current exceeds 0.5 milliamps, or if the resistance from chassis to either side of the power cord is less than 460 kohms, the unit is defective.

WARNING:

DO NOT return the unit to the customer until the problem is located and corrected.

NOTICE:

ALL RESISTANCE VALUES IN OHM. k=1,000 OHM / M=1,000,000 OHM

ALL CAPACITANCE VALUES IN MICRO FARAD. P=MICRO-MICRO FARAD EACH VOLTAGE AND CURRENT ARE MEASURED AT NO SIGNAL INPUT CONDITION. CIRCUIT AND PARTS ARE SUBJECT TO CHANGE WITHOUT PRIOR NOTICE.

NOTE FOR PARTS LIST

PARTS INFORMATION

RESISTORS

- 00MGD05 × × × 140, Carbon film fixed resistor, ±5% 1/4W
- 00MGD05 × × × 160, Carbon film fixed resistor, ±5% 1/6W

① — Resistance value

Examples ;

① Resistance value			
0.1Ω.....001	10Ω.....100	1kΩ.....102	100kΩ.....104
0.5Ω.....005	18Ω.....180	2.7kΩ.....272	680kΩ.....684
1Ω.....010	100Ω.....101	10kΩ.....103	1MΩ.....105
6.8Ω.....068	390Ω.....391	22kΩ.....223	4.7MΩ.....475

Note : Please distinguish 1/4W from 1/6W by the shape of parts used actually.

CAPACITORS

CERAMIC CAP.

- 00MDD1 × × × × 370, Ceramic capacitor Disc type Temp.coef.P350 ~ N1000, 50V
- ② — Capacity value
③ — Tolerance

Examples ;

② Tolerance (Capacity deviation)
±0.25pF.....0
±0.5pF.....1
±5%.....5

* Tolerance of COMMON PARTS handled here are as follows :

0.5pF ~ 5pF.....±0.25pF
6pF ~ 10pF.....±0.5pF
12pF ~ 560pF.....±5%

③ Capacity value

0.5pF.....005	3pF.....030	100pF.....101
1pF.....010	10pF.....100	220pF.....221
1.5pF.....015	47pF.....470	560pF.....561

CERAMIC CAP.

- 00MDK16 × × × 300, High dielectric constant ceramic capacitor Disc type Temp.chara. 2B4, 50V
- ④ — Capacity value

Examples ;

④ Capacity value		
100pF.....101	1000pF.....102	10000pF.....103
470pF.....471	2200pF.....222	

ELECTROLY CAP. (Z)

- 00MEA × × × × × 10, Electrolytic capacitor One-way lead type, Tolerance ±20%
- ⑤ — Working voltage
⑥ — Capacity value

Examples ;

⑤ Capacity value		
0.1μF.....104	4.7μF.....475	100μF ... 107
0.33μF.....334	10μF.....106	330μF ... 337
1μF.....105	22μF.....226	1100μF ... 118
		2200μF ... 228

⑥ Working voltage

6.3V.....006	25V.....025
10V.....010	35V.....035
16V.....016	50V.....050

FILM CAP. (—)

- 00MDF15 × × × 350 Plastic film capacitor One-way type, Mylar ±5% 50V
 - 00MDF15 × × × 310 Plastic film capacitor One-way type, Mylar ±10% 50V
- ⑦ — Capacity value

Examples ;

⑦ Capacity value		
0.001μF (1000pF).....102	0.1μF 104	
0.0018μF.....182	0.56μF ... 564	
0.01μF.....103	1μF 105	
0.015μF.....153		

NOTE ON SAFETY FOR FUSIBLE RESISTOR :

The suppliers and their type numbers of fusible resistors are as follows;

1. KOA Corporation

Part No. (MJI)	Type No. (KOA)	Description
00MNH05 × × × 140	RF25S × × × × ΩJ	(±5% 1/4W)
00MNH05 × × × 120	RF50S × × × × ΩJ	(±5% 1/2W)
00MNH85 × × × 110	RF73B2A × × × × ΩJ	(±5% 1/10W)
00MNH95 × × × 140	RF73B2E × × × × ΩJ	(±5% 1/4W)

* Resistance value Resistance value (0.1 - 10kΩ)

2. Matsushita Electronic Components Co., Ltd

Part No. (MJI)	Type No. (MEC)	Description
00MNF05 × × × 140	ERD-2FCJ × × ×	(±5% 1/4W)
00MRF05 × × × 140		
00MNF02 × × × 140	ERD-2FCG × × ×	(±2% 1/4W)
00MRF02 × × × 140		

* Resistance value * Resistance value

Examples ;

* Resistance value			
0.1Ω.....001	10Ω.....100	1kΩ.....102	100kΩ.....104
0.5Ω.....005	18Ω.....180	2.7kΩ.....272	680kΩ.....684
1Ω.....010	100Ω.....101	10kΩ.....103	1MΩ.....105
6.8Ω.....068	390Ω.....391	22kΩ.....223	4.7MΩ.....475

ABBREVIATION AND MARKS

ANT. : ANTENNA	BATT. : BATTERY
CAP. : CAPACITOR	CER. : CERAMIC
CONN. : CONNECTING	DIG. : DIGITAL
HP : HEADPHONE	MIC. : MICROPHONE
μ-PRO : MICROPROCESSOR	REC. : RECORDING
RES. : RESISTOR	SPK : SPEAKER
SW : SWITCH	TRANSF. : TRANSFORMER
TRIM. : TRIMMING	TRS. : TRANSISTOR
VAR. : VARIABLE	X'TAL : CRYSTAL

NOTE ON FUSE :

Regarding to all parts of parts code **00MFS20xxx2xx**, replace only with Wickmann-Werke GmbH, Type 372 non glass type fuse.

NOTE ON SAFETY :

Symbol \triangle Fire or electrical shock hazard. Only original parts should be used to replaced any part marked with symbol \triangle . Any other component substitution (other than original type), may increase risk of fire or electrical shock hazard.

安全上の注意 :

\triangle がついている部品は、安全上重要な部品です。必ず指定されている部品番号の部品を使用して下さい。

SPECIFICATIONS

□ Audio section

- **Analog output**
 - Channels** 2 channels
 - Playable frequency range** 2 Hz – 96 kHz
 - Playable frequency response** 2 Hz – 50 kHz (–3dB)
(Sampling frequency: 192 kHz)
 - 2 Hz – 20 kHz
(Sampling frequency: 44.1 kHz)
 - 110 dB (Audible Range)
 - S/N** 110 dB (Audible Range)
 - Dynamic Range** 110 dB (Audible Range)
 - Harmonic Distortion** 0.001 % (1 kHz, Audible Range)
- **Output Level**
 - Unbalanced** 2.35V RMS Stereo
 - Headphone output** 18mW/33Ω (variable maximum)
- **Digital output**
 - Output level (cinch JACK)** 0.5 Vp-p
 - Output level (optical)** –19 dBm
- **Digital input**
 - Signal format** DIGITAL AUDIO INTERFACE]
(linear PCM)
 - Input level (cinch JACK)** 0.5 Vp-p
 - Input level (optical)** –27 dBm or later
 - Emission wavelength (optical)** 660 nm

□ Tuner section (for N model)

- **FM tuner**
 - Range of receivable frequencies** 87.5 to 108.0 MHz
 - S/N ratio (mono)** 65 dB
 - Sensitivity (S/N 30 dB)** 9 dBμV (IHF)

- **AM tuner**
 - Range of receivable frequencies** 522 to 1611 kHz
 - S/N ratio** 40 dB
 - Sensitivity (S/N 20 dB)** 55 dBμV/m

□ DAB tuner section (for N model)

- Frequency range** 174.928 (5A) ~ 239.200 (13F) MHz (BAND III)
- Sensitivity** –90 dBm
- Signal-to-noise ratio** 95 dB
- THD+N** 0.025 % (1 kHz)
- Channel separation** 70 dB (1 kHz)

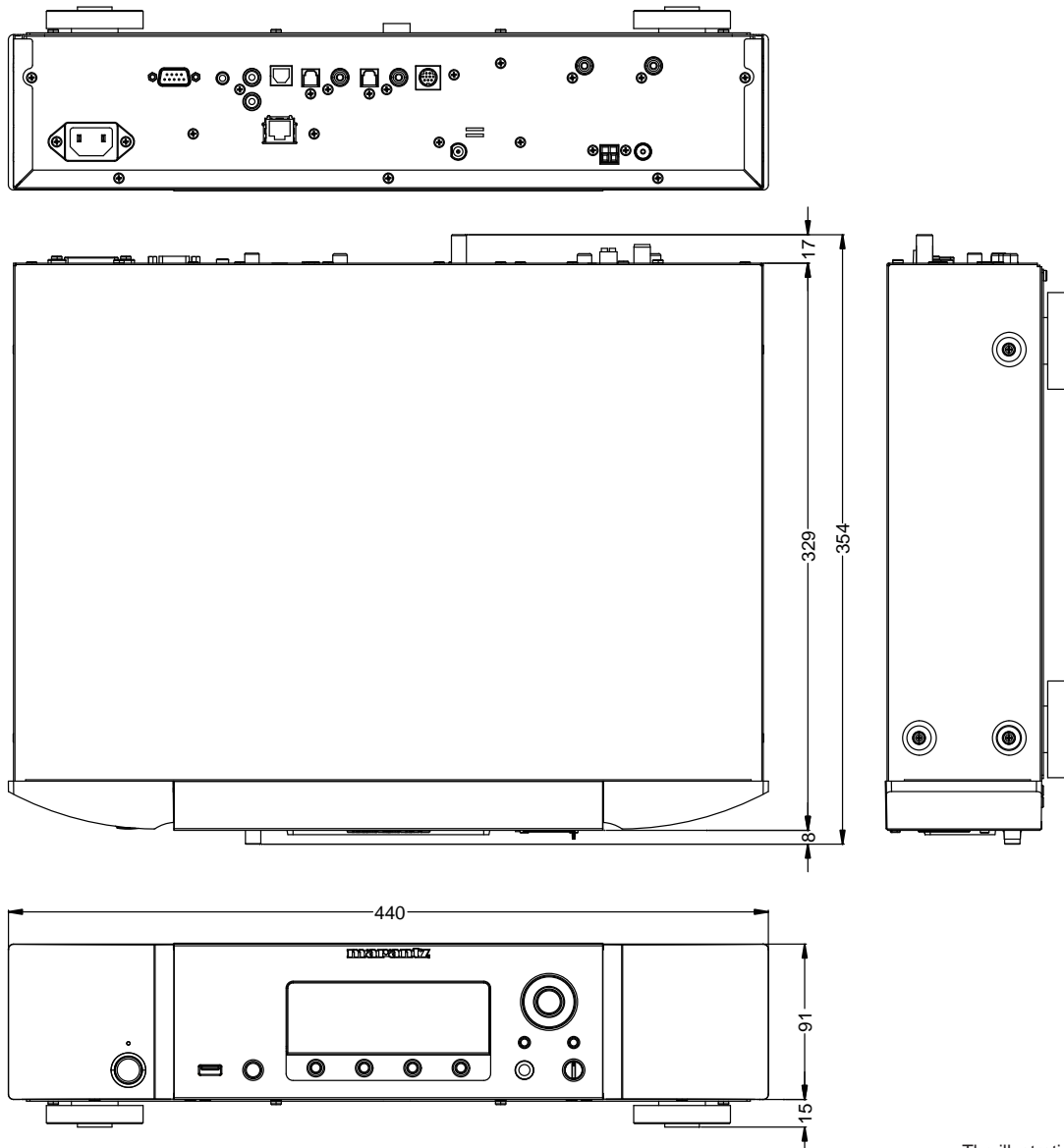
□ Power supply

- Power supply voltage/frequency** AC 230 V, 50/60 Hz (for N model)
AC 120 V, 60 Hz (for U model)
AC 220 V, 50 Hz (for K model)
- Power consumption** 30W
- Power consumption in standby mode** 0.4 W

□ General

- External dimensions (width x height x depth)** 440 x 106 x 354 mm (for N model)
440 x 106 x 343 mm (for U,K model)
- Weight** 6.5 kg

DIMENSION



The illustration is N model.

CAUTION IN SERVICING

Firmware update

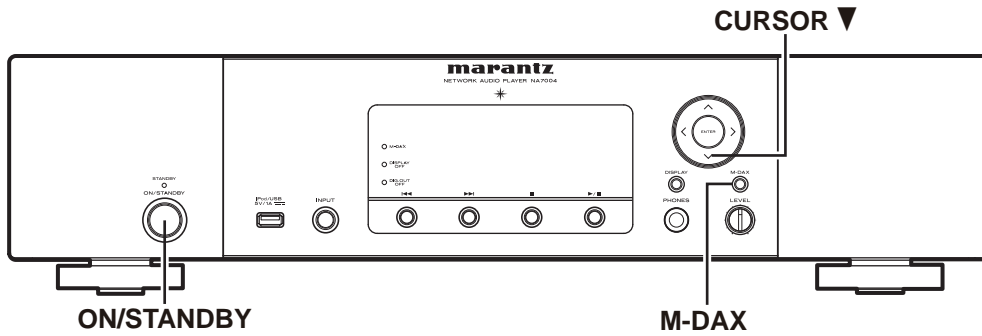
- When you replace the IC912, you need software updates. Refer to "After replacing IC912".
- When you replace the ETHERNET PWB, you need software updates. And MAC Address seal replacement is required. Refer to "After replacing ETHERNET PWB Assy".

Initializing Network Audio Player (Factory Rerset)

Network Audio Player initialization should be performed when the μ com, peripheral parts of μ com, and ETHERNET PWB. are replaced.

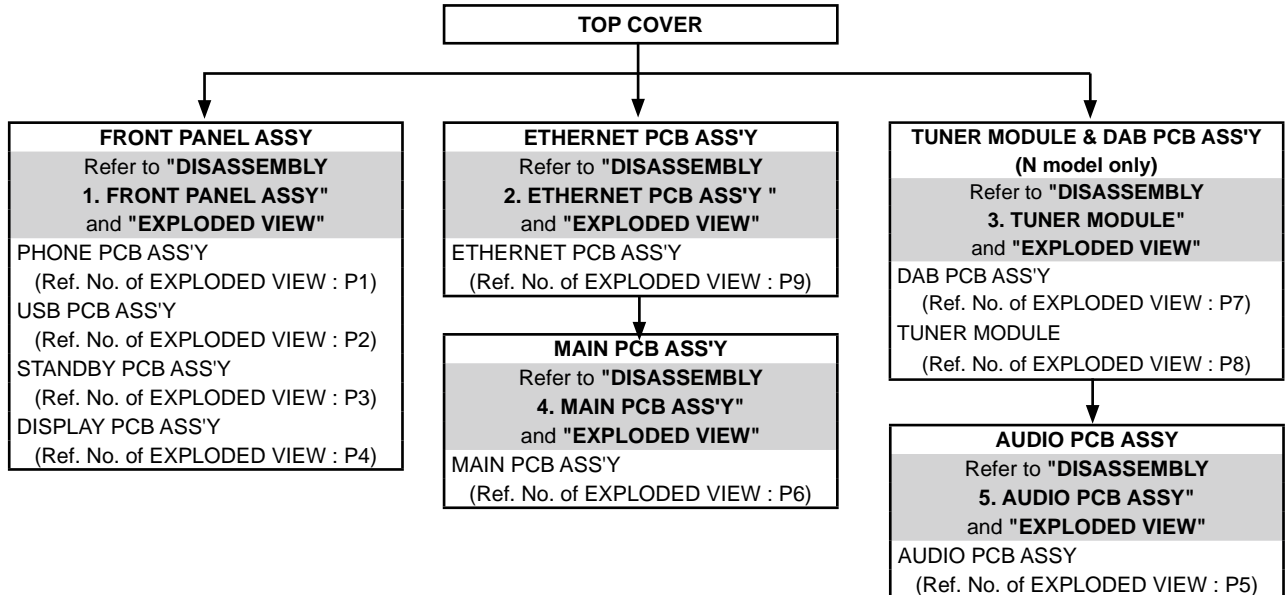
1. Turn off the power using ON/STANDBY button, unplug the power cord.
2. Plug the power cord into a power outlet while pressing CURSOR \blacktriangledown and M-DAX button simultaneously.
* Initialize.

Note: •All user settings will be lost and this factory setting will be recovered when this initialization mode. So make sure to memorize your setting for restoring after the initialization.



DISASSEMBLY

- Disassemble in order of the arrow of the figure of following flow.
- In the case of the re-assembling, assemble it in order of the reverse of the following flow.
- In the case of the re-assembling, observe "attention of assembling" it.
- If wire bundles are untied or moved to perform adjustment or parts replacement etc., be sure to rearrange them neatly as they were originally bundled or placed afterward.
Otherwise, incorrect arrangement can be a cause of noise generation.

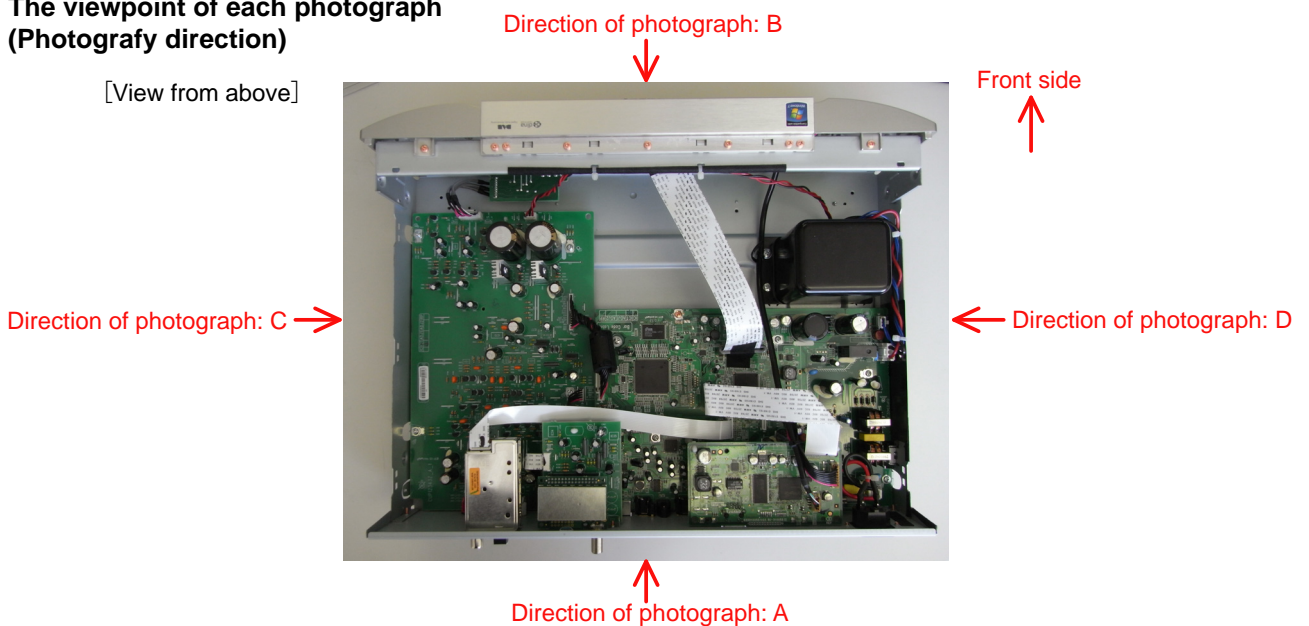


About the photos used for descriptions in the "DISASSEMBLY" section.

- The direction from which the photographs used herein were photographed is indicated at "Direction of photograph: ****" at the left of the respective photographs.
- Refer to the table below for a description of the direction in which the photos were taken.
- Photographs for which no direction is indicated were taken from above the product.
- The photograph is NA7004 N1SG model.

The viewpoint of each photograph (Photografy direction)

[View from above]

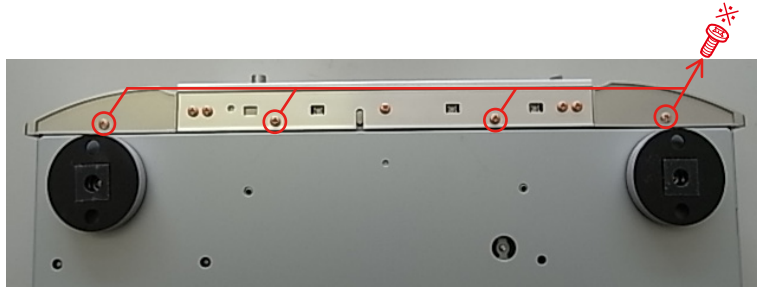


1. FRONT PANEL ASSY

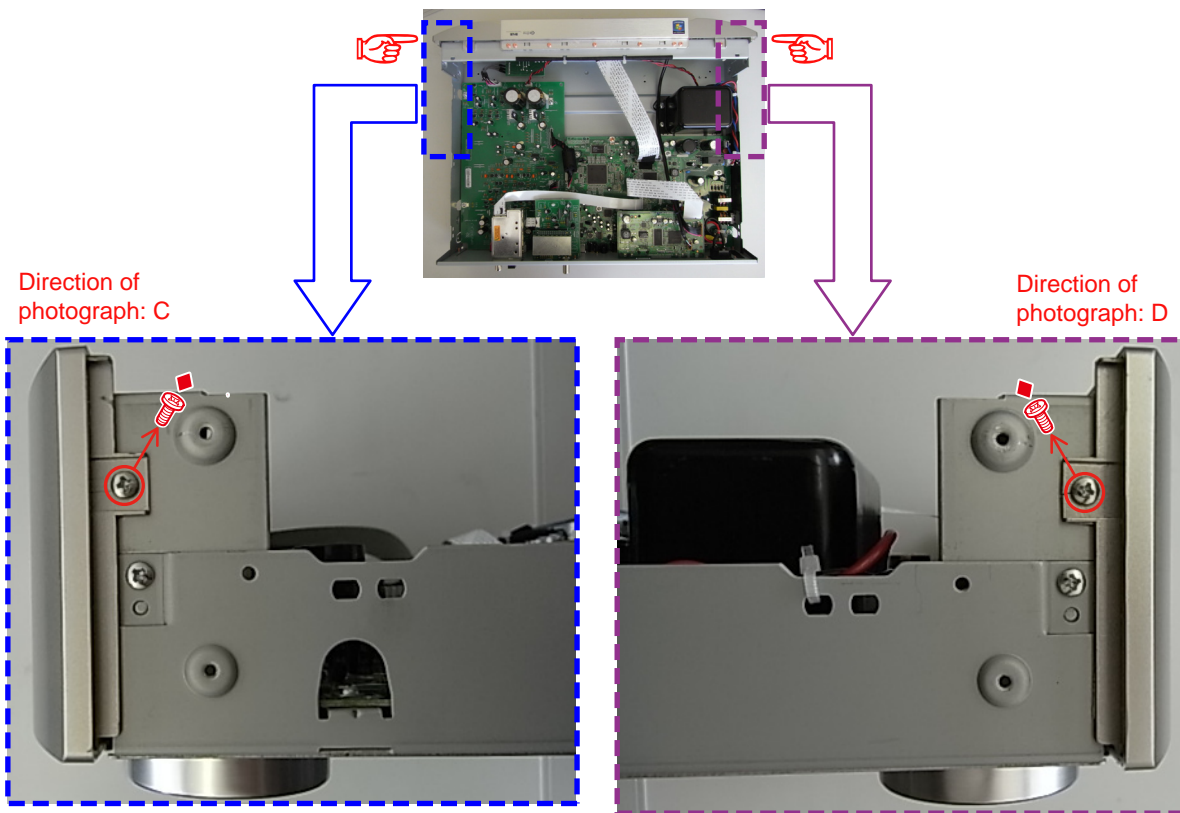
Proceeding : **TOP COVER** → **FRONT PANEL ASSY**

(1) Remove the screws.

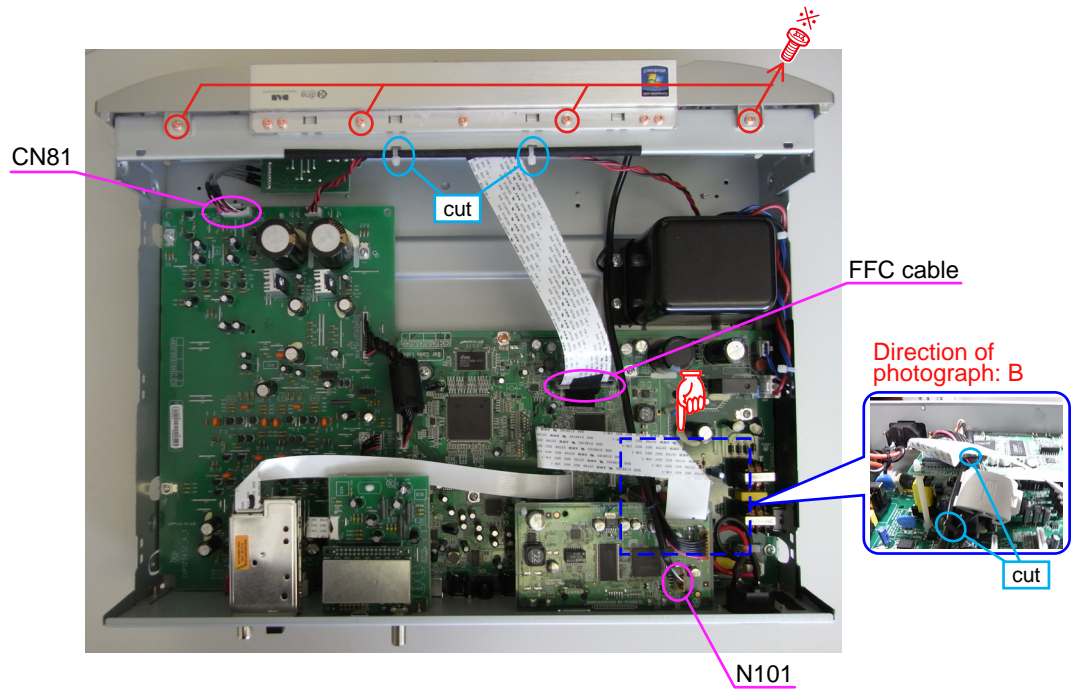
View from bottom



(2) Remove the screws.



(3) Cut the wire clamp band, then disconnect the connector wires and FFC cable. Remove the screws.



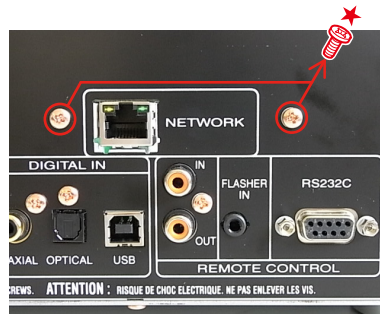
Please refer to "EXPLODED VIEW" for the disassembly method of each P.W.B included in FRONT PANEL ASSY.

2. ETHERNET PCB ASS'Y

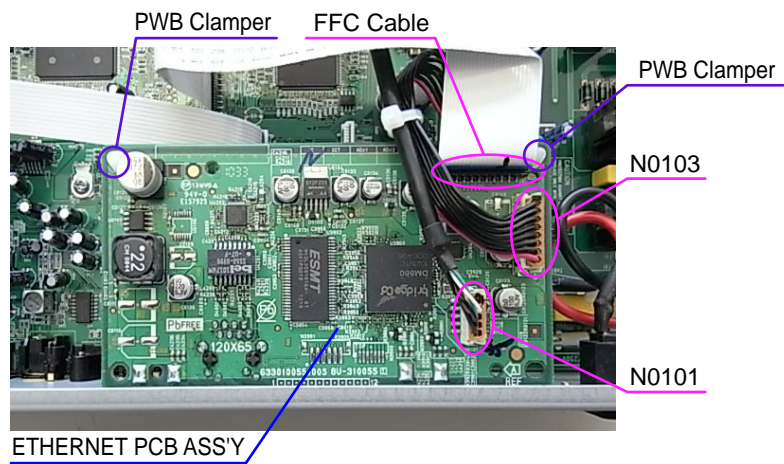
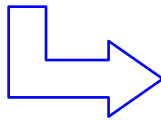
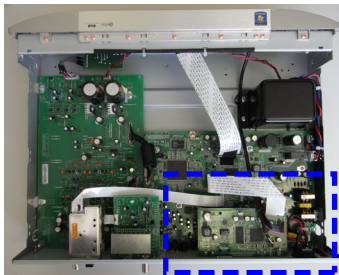
Proceeding : **TOP COVER** → **ETHERNET PCB ASS'Y**

(1) Remove the screws.

Direction of photograph: A



(2) Disconnect the connector wires and FFC cable, then remove the PWB Clamper.

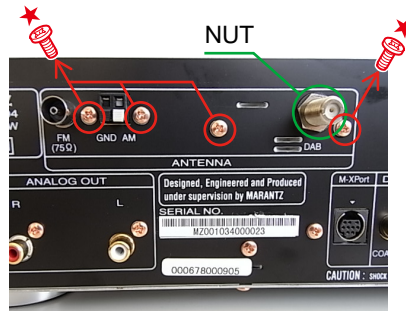


3. TUNER MODULE & DAB PCB ASS'Y (N model only)

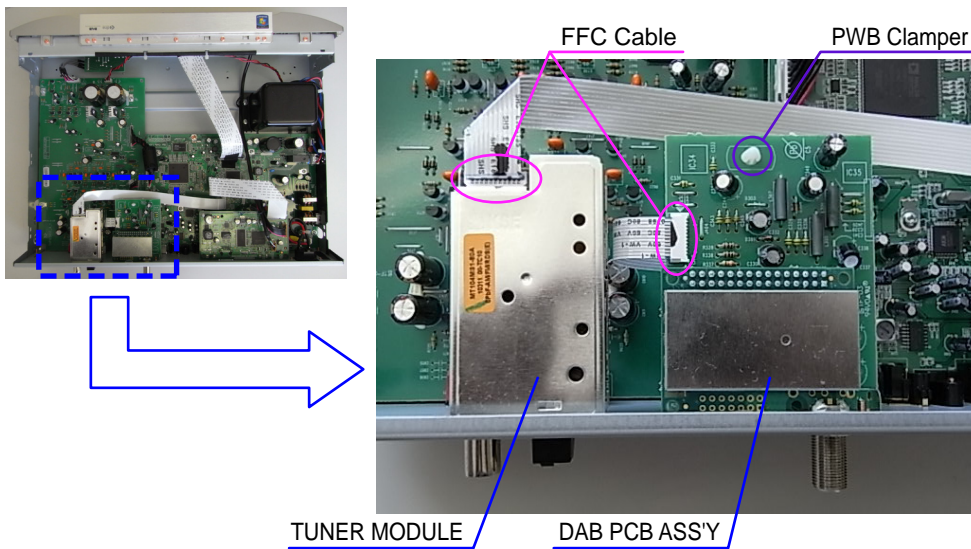
Proceeding : **TOP COVER** → **TUNER MODULE & DAB PCB ASS'Y (N model only)**

(1) Remove the screws and NUT.

Direction of photograph: A



(2) Disconnect the FFC cable, then remove the PWB Clamper.

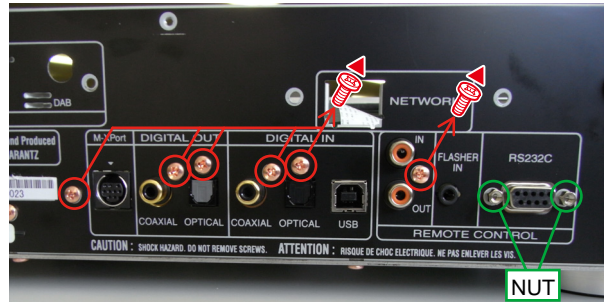


4. MAIN PCB ASS'Y

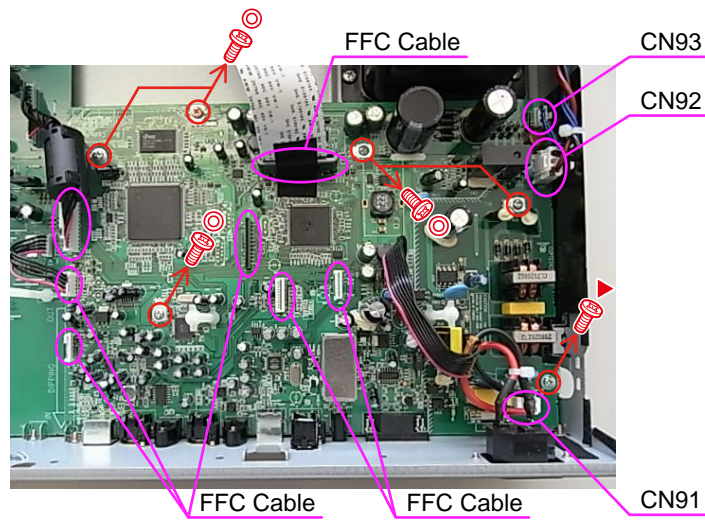
Proceeding : **TOP COVER** → **ETHERNET PCB ASS'Y** → **MAIN PCB ASS'Y**

(1) Remove the screws and NUT.

Direction of photograph: A



(2) Disconnect the connector wires and FFC cable, then remove the screws.



5. AUDIO PCB ASSY

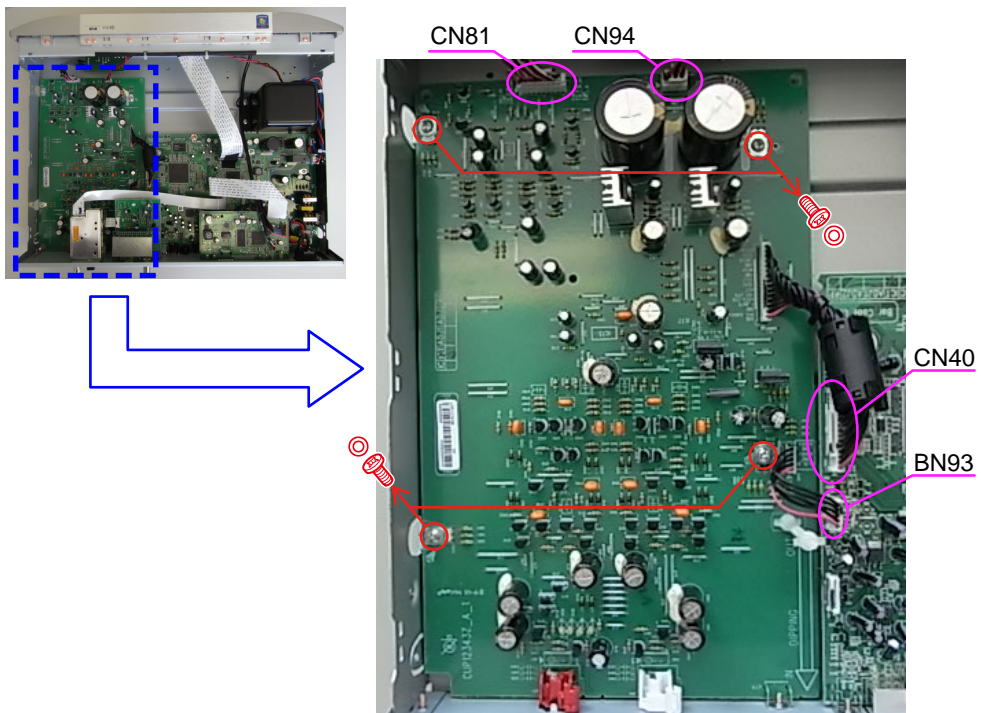
Proceeding : **TOP COVER** → **TUNER MODULE & DAB PCB ASS'Y (N model only)**
→ **AUDIO PCB ASS'Y**

- (1) Remove the screws.

Direction of photograph: A



- (2) Disconnect the FFC cable, then remove the screws



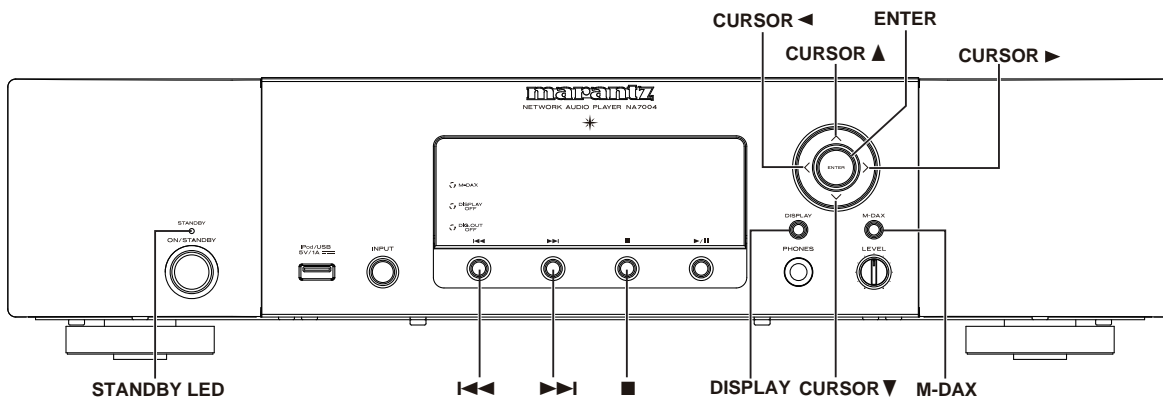
SPECIAL MODE

Special mode setting

Plug AC cord into power outlet while pressing buttons A and B.

Each button continue to press until the turning on STANDBY LED.

No.	Mode	Button A	Button B	Contents
1	Initialization mode (Factory Reset)	CURSOR DOWN	M-DAX	Initializing. Factory Reset
2	Initialization mode (User Reset)	DISPLAY	M-DAX	Initializing. (Contents User's Guide is published)
3	Version display	CURSOR UP	-	Version Display
4	Product mode 1	STOP	REVERSE-SKIP	Factory use.
5	Product mode 2	CURSOR LEFT	M-DAX	Factory use.
6	Protection history mode	REVERSE-SKIP	FORWARD-SKIP	Protection history view and reset
7	DPMS update mode	DISPLAY	CURSOR UP	DPMS Up date Mode
8	Update mode (by RS232C)	DISPLAY	ENTER	Development/Factory use. The details cannot be disclosed.
9	MAC Address rewrite mode	DISPLAY	CURSOR RIGHT	Development/Factory use. The details cannot be disclosed.
10	Access to development server mode	DISPLAY	CURSOR RIGHT	Development/Factory use. The details cannot be disclosed.



1. Initialization mode (Factory Reset)

Backup data initialization is carried out. Refer to Initialization Items.

After initialization, move on to normal mode.

CAUTION

Version information (such as rewriting failed log) Clear.

Clear the history of protection.

Startup display

All lights display(2 seconds) - All off display(2 seconds)

"Factory Reset" displayed for 5 seconds.



Initialization Items (Default setting)

	Default
source	Internet Radio
TUNER(band)	FM
DIMMER	100%
TUNER Preset	Clear all
Favorite list	Clear all
iPod mode	Direct mode
AUTO STANDBY	OFF
DAB Module	Module Initialization
Protection history	NO PROTECT
Network setting	DHCP (On)
PC Language	English
Screen Saver	Off
IR Setting	Enable

2. Initialization mode (User Reset)

Backup data initialization is carried out. Refer to Initialization Items.

After initialization, move on to normal mode.

CAUTION

The difference is the following two points.

Version information (such as rewriting failed log) not cleared.

History of protection not cleared.

Startup display

"Initialized" displayed for 5 seconds.



3. Version display

Menu items appear in the Add Version. Otherwise, normal operation.

To exit this mode, unplug the power cord.

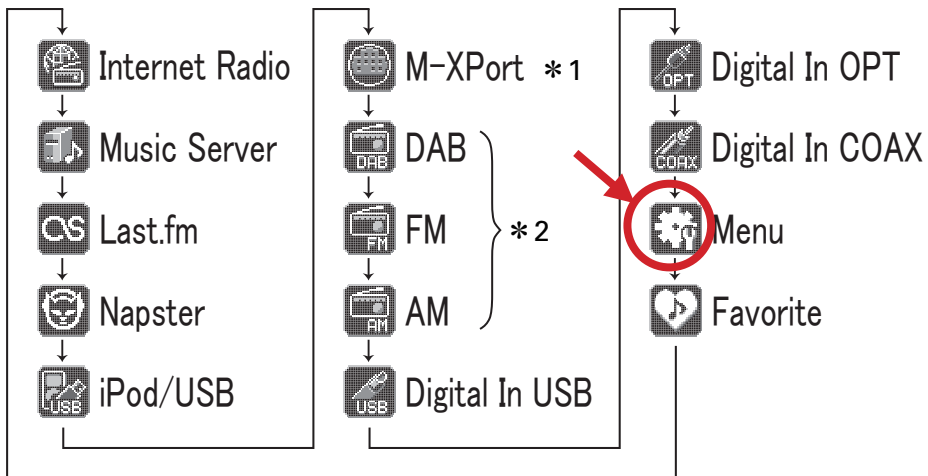
Startup display

"Version" displayed for 5 seconds.



How to Display Version

Select the Menu, and press ENTER button.



* 1 The icon is not displayed when you do not connect RX101 sold separately.

* 2 Only N

Pressing the ENTER button will be displayed below.



Press Cursor ▶



The version of the system-μ Processor.

Press Cursor ▼



The version of the boot loader(system-μ Processor).

Press Cursor ▼



The version of the display-μ Processor.

Press Cursor ▼



The version of the boot loader(network-μ Processor).

Press Cursor ▼



The version of the image(network-μ Processor).

Press Cursor ▼



Serial number displayed.

(Serial: MZ_bccddddd, MZ: Fixed, b: One digit of the year, cc: Week number, ddddd: Serial number)

4. Product Mode 1

Startup display

"Product Mode1" displayed for 5 seconds.



Tested during production to perform the following settings automatically.

Tuner Preset

To exit this mode, unplug the power cord.

5. Product Mode 2

Startup display

"Product Mode2" displayed for 5 seconds.



Tested during production to perform the following settings automatically.

Sleep setting : 1 minutes

Auto Standby :1 minutes

Sleep setting and timer started.

Auto Standby to set up and will stand under the following conditions.

Auto Standby Conditions

USB/iPod : No Connection or continue no operation and Stop state.

Network : No Connection or continue no operation and Stop state.

Digital In USB, Digital In OPT, Digital In COAX : No Input(unlock)

M-XPort : No Input

To exit this mode, unplug the power cord.

6. Protection history display mode

Startup display

"Detect Protection" displayed for 5 seconds.



To exit this mode, unplug the power cord.

No history found



DC protect 1



Overvoltage of +B/-B

DC protect 2



Short of '+B/-B

Protection history is reset.

When the Cursor ▲ button is pressed for over 5 seconds while the protection history is displayed, the count value is reset.



After the reset is complete, the display "No Protection".



Protection history is not cleared, even when the set is reset (Factory/User).

7. DPMS UP date mode

Update the firmware of DPMS.

Refer to VERSION UPGRADE PROCEDURE OF FIRMWARE

Error code table

- Preparation operation rewritten, Update error code checking.

Error Code	Details of Error code
01	Login failed(DPMS Access Login Incorrect notification)
02	Login failed(DPMS Access Server Busy information)
03	Login failed(DPMS Access link failure information)
04	Firm Info response acquisition error received
05	Firm Info response acquisition TimeOut
06	All Firm Info response acquisition error received
07	All Firm Info response acquisitionTimeOut
08	Main Firm Info response acquisition error received
09	Main Firm Info response acquisition TimeOut
0A	DownLoad failed ((NG)information recieved)
0B	DownLoad failed((ServerBusy) information recieved)
0C	DownLoad failed((connection failed)information recieved)

- Firm error codes at the main microprocessor rewritten.

Error Code	Details of Error code
10	Firm Info response acquisition TimeOut(Main rewrite Firmware recieved failure(TimeOut))
11	Firm Info response acquisition recieved error(Main rewrite Firmware recieved failure(Error))
12	Firm Info response acquisition recieved error (Main rewrite Firmware recieved data incorrect(CheckSumError))
13	Rewrite failure (BlockErase failed before Main rewriting)
14	Rewrite failure (BlockWrite failed before Main rewriting)
15	Rewrite failure (Verify incorrect after Main rewriting)
36	Login failure(DPMSAccess Login incorrect infomation)
37	Login failure(DPMSAccess Server busy infomation)
38	Login failure(DPMSAccess connection failed infomation)
39	Login failure(DPMSAccess access TimeOut)
3A	DownLoad failure(Download error (NG)information recieved)
3B	DownLoad failure(Download error (ServerBusy) information recieved)
3C	DownLoad failure(Download error (connection failed)information recieved)

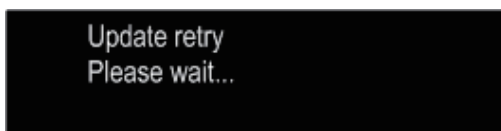
- Firm error codes at the display microprocessor rewritten.

Error Code	Details of Error code
50	After download request, Login Failed
51	After download request, Login Failed
52	After download request, Login Failed
54	Error receiving response FirmInfo acquisition
55	FirmInfo Get Response TimeOut
56	Failure of DownLoad
57	Failure of DownLoad
58	Failure of DownLoad
5A	C command error
5B	L command error
5C	Receive error update data
5D	Receive error update data
5E	Receive error update data
5F	Receive error update data
60	P command error
61	I command error
62	Launch failure
70	T command error

- DM8x0 system Firm error codes when rewriting

Error Code	Details of Error code
A0	Net not connected
A1	Net Connection TimeOut can not get status
A2	Login failed
A3	Login failed
A4	Login failed
A6	Error receiving response FirmInfo acquisition
A7	FirmInfo Get Response TimeOut
A8	Net not connected
A9	Net Connection TimeOut can not get status
AA	After download request, Login Failed
AB	After download request, Login Failed
AC	After download request, Login Failed
AE	Failure of DownLoad
AF	Failure of DownLoad
B0	Failure of DownLoad
B2	Update error

Failure to update, After the move again 8x0 selfe display retry processing



8. Update mode (by RS232C)

Development / Factory use.

9. MAC Address rewrite mode

Development / Factory use.

10. Access to development server mode

Development / Factory use.

ABOUT REPLACE THE MICROPROCESSOR WITH A NEW ONE

When replaced of the U-PRO (Microprocessor) or the Flash ROM, confirm contents of the following.

PWB Name	Ref. No.	Description	After replaced	Remark
DISPLAY	IC81	R5F64169DFD	B	
MAIN	IC31	R5F64169DFD	B	

After replaced

A : Mask ROM (With software). No need write-in of software to the microprocessor.

B : Flash ROM (With software). Usually, no need write-in of software. But, when the software was updated, you should be write-in of the new software to the microprocessor or flash ROM. Please check the software version.

C : Empty Flash ROM (Without software). You should be write-in of the software to the microprocessor or flash ROM.

Refer to "Update procedure" or "writing procedure", when you should be write-in the software.

VERSION UPGRADE PROCEDURE OF FIRMWARE

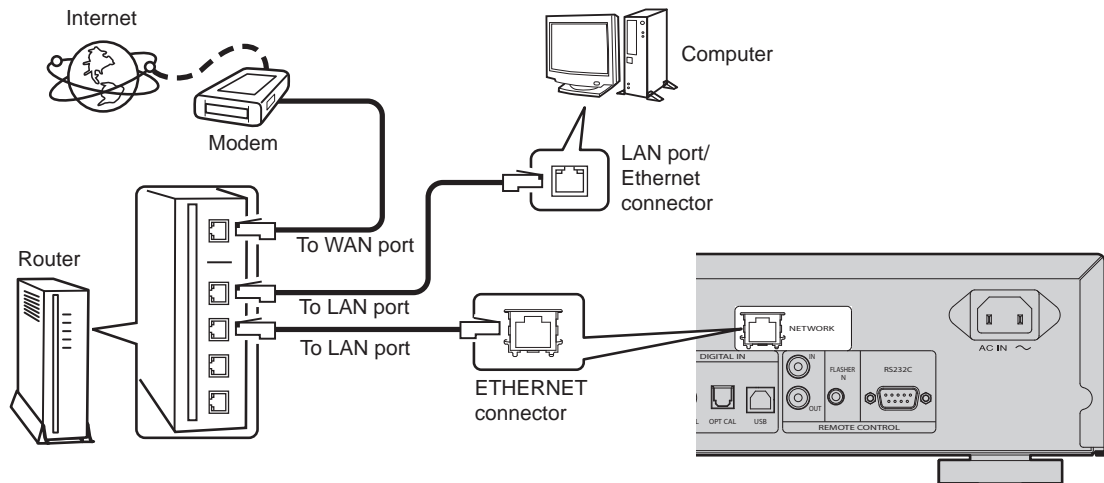
You can update by downloading the latest firmware from the Internet.

1. Connecting to the Network

(1) System Requirement

- Internet Connection by Broadband Circuit
- Modem
- Router
- Ethernet cable (CAT-5 or greater recommended)

(2) Setting



2. Check for Update and Update

Check if the latest firmware exists. You can also check approximately how long it will take to complete an update.

(1) Press ON/STANDBY button to turn on power.

(2) Press MENU button to display menu.

- Press Cursor ▲ / ▼ buttons select to Others. Press <ENTER>.
- Press Cursor ▲ / ▼ buttons select to Firmware Update. Press <ENTER>.
- Press Cursor ▲ / ▼ buttons select to CHECK For UPDATE.

(3) Press the ENTER button.

- The latest version of the firmware uploaded to the web is displayed.
- If the latest firmware version is on the web, proceed to (4).
- If the latest firmware is already installed, press the MENU button to close the Update menu.

(4) Press ENTER button. Select YES, then press ENTER button.

(5) To start the update.

--- Cautions on Firmware Update ---

- In order to use these functions, you must have the correct system requirements and settings for a broadband Internet connection.

- Do not turn off the power until updating is completed.

Even with a broadband connection to the Internet, approximately about 1 hour is required for the updating procedure to be completed.

Once updating starts, normal operations on the NA7004 cannot be performed until updating is completed.

Also, setting items may be initialized.

Make a note of the settings before updating, and set them again after updating.

CAUTION IN REPLACEMENT PARTS

1. After replacing IC912.

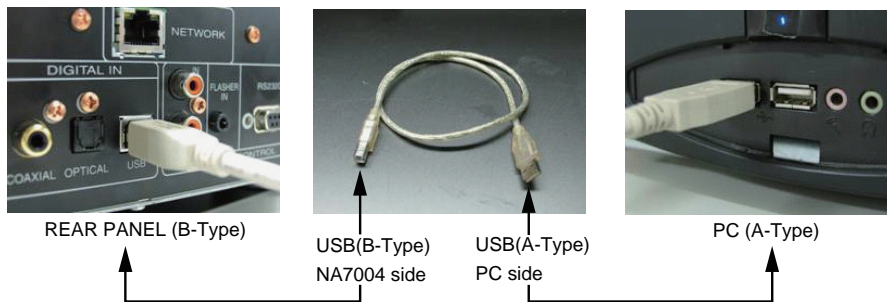
(IC912 is EEPROM (M24C16WMN6TP) for USB DAC(IC910 TE7022LDS))

When replacing the EEPROM, the following procedure as required to write the configuration.
If you do not do the following, please note that no sound output.

- Preparation -

- USB cable (Type B-TypeA)
- Writing data:USB_Descriptor_NA7004.txt
- Burning software:UsbEpromUty.exe

- (1) The rear of the unit and the USB connector (B-type), PC's USB connection terminal (A-type).
Please use the USB cable on the market.



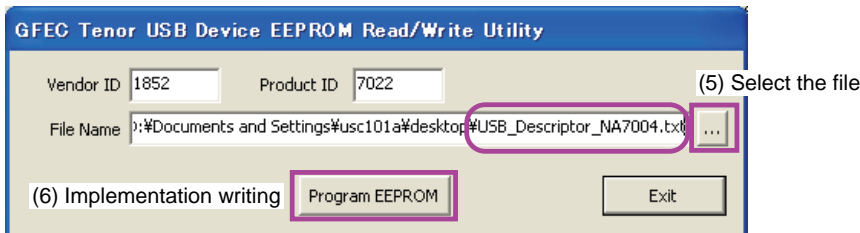
- (2) Turn on this unit. Press Input source select "DIGITAL In USB".
(3) Paste the "USB_Descriptor_NA7004.txt" to your desktop of PC.



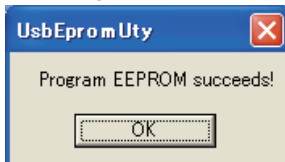
- (4) Run "UsbEpromUty.exe".



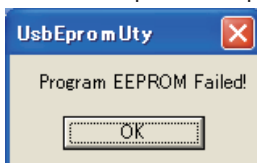
- (5) Select the file.



- (6) Click the "Program EEPROM" button.
(7) When writing of the firmware is completed, you can see the "Program EEPROM succeeds!" message.



- (8) If you can't complete the update, you can see "Program EEPROM Failed!" message and please retry from (6).



Fails to write again, please do the following check.
Check USB cable connection.
Check IC910 and IC912 soldering.

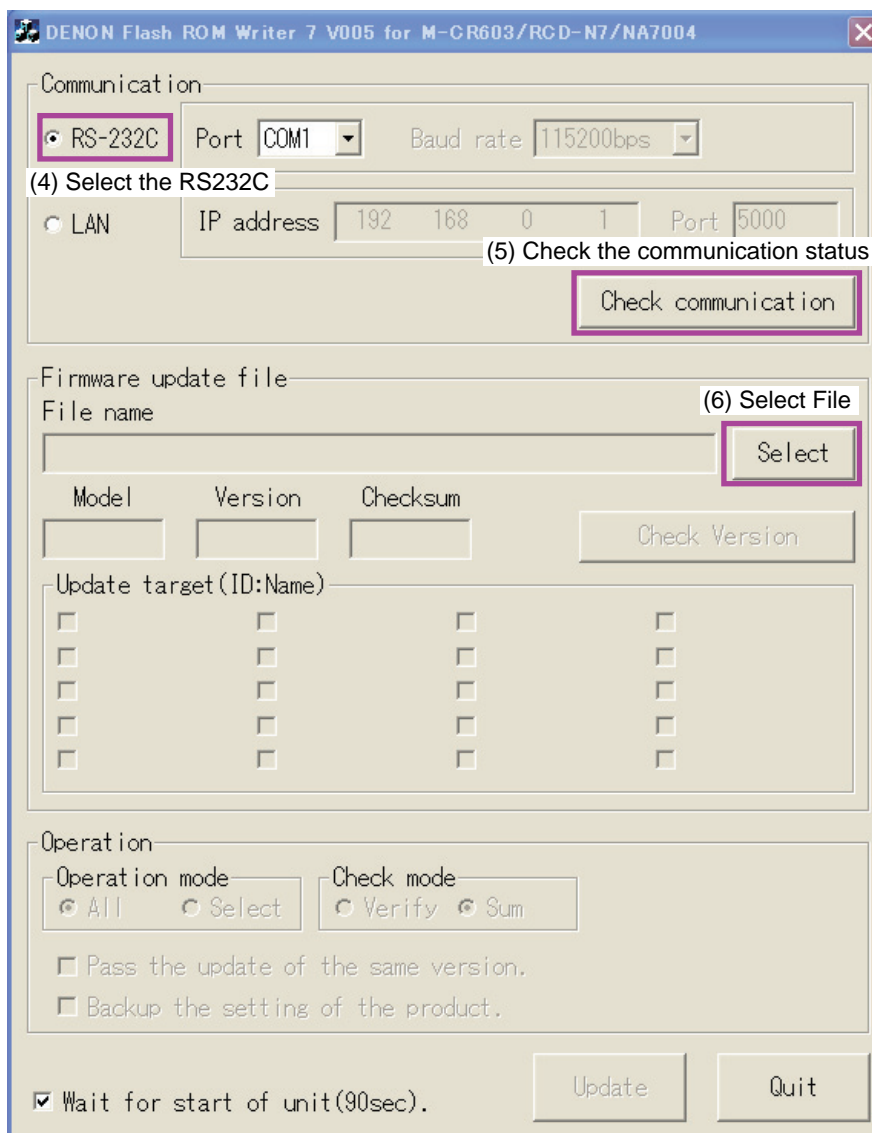
2. After replacing Ethernet Unit Assy

When you replace this unit, you need software updates.
And MAC Address seal replacement is required.

- Preparation -

- RS-232 cable (Male to female, Straight).
- Burning software:FlashWriter7_005_forM-CR603_RCD-N7_NA7004.exe

- (1) Connect the RS-232C cable from PC.
- (2) Turn on the unit. Display is lit, wait for the normal state. (More than 1 minute)
- (3) Run "FlashWriter7_005_forM-CR603_RCD-N7_NA7004.exe".
- (4) Click "RS-232C" and "COM1"of Communication.

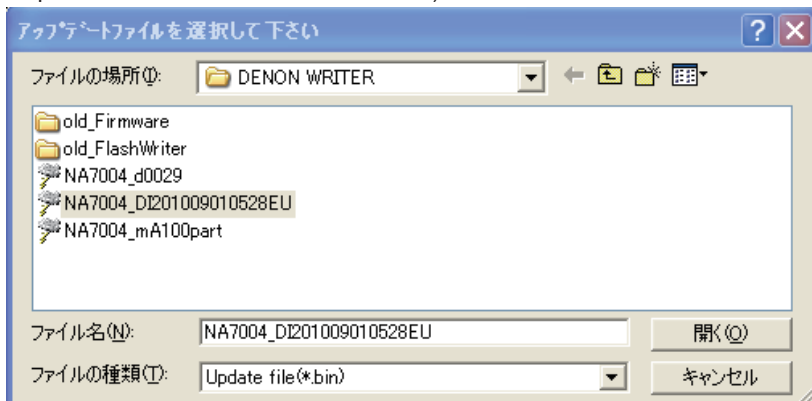


- (5) Click "Check communication"button. Click "OK".

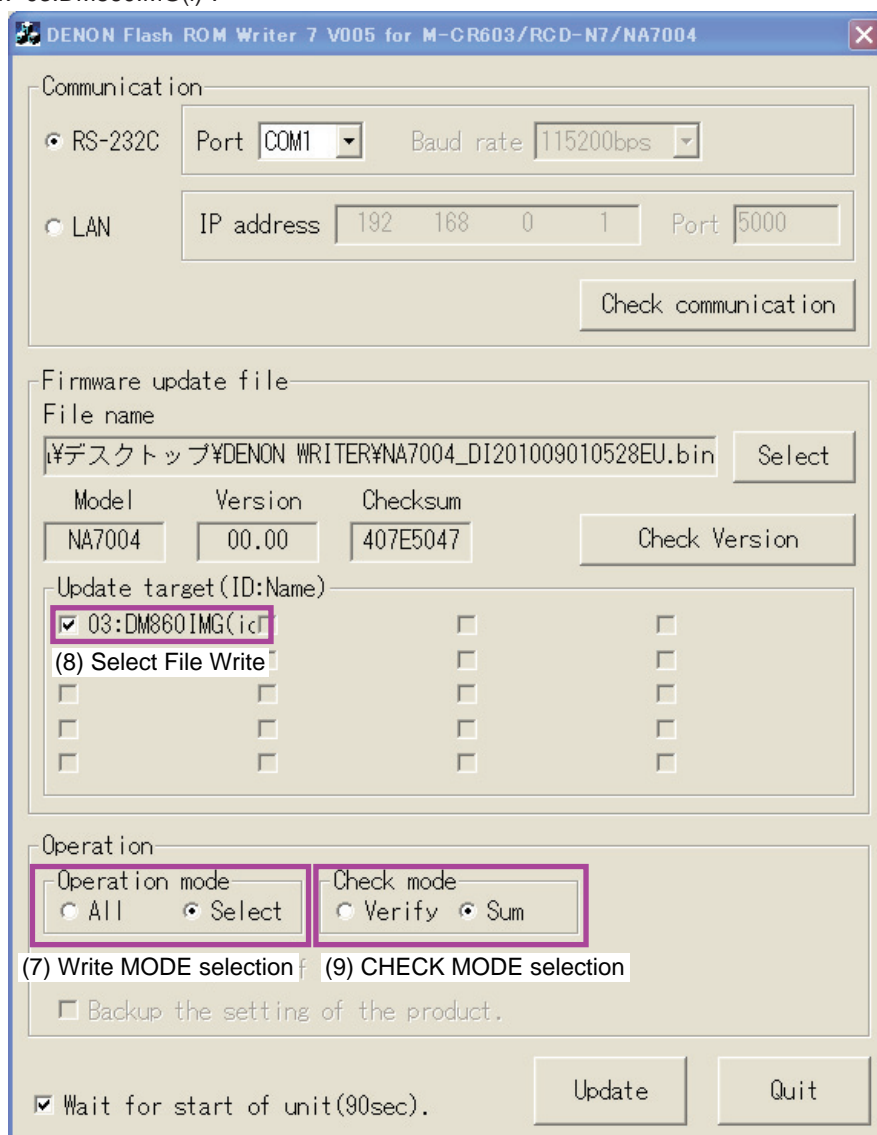


NG was the case, please try again to change the port.

- (6) Click "Select" button. Select the file.
 For writing files, please use the latest version and then check the region.
 (Example NA7004_DI201009010528EU.bin)

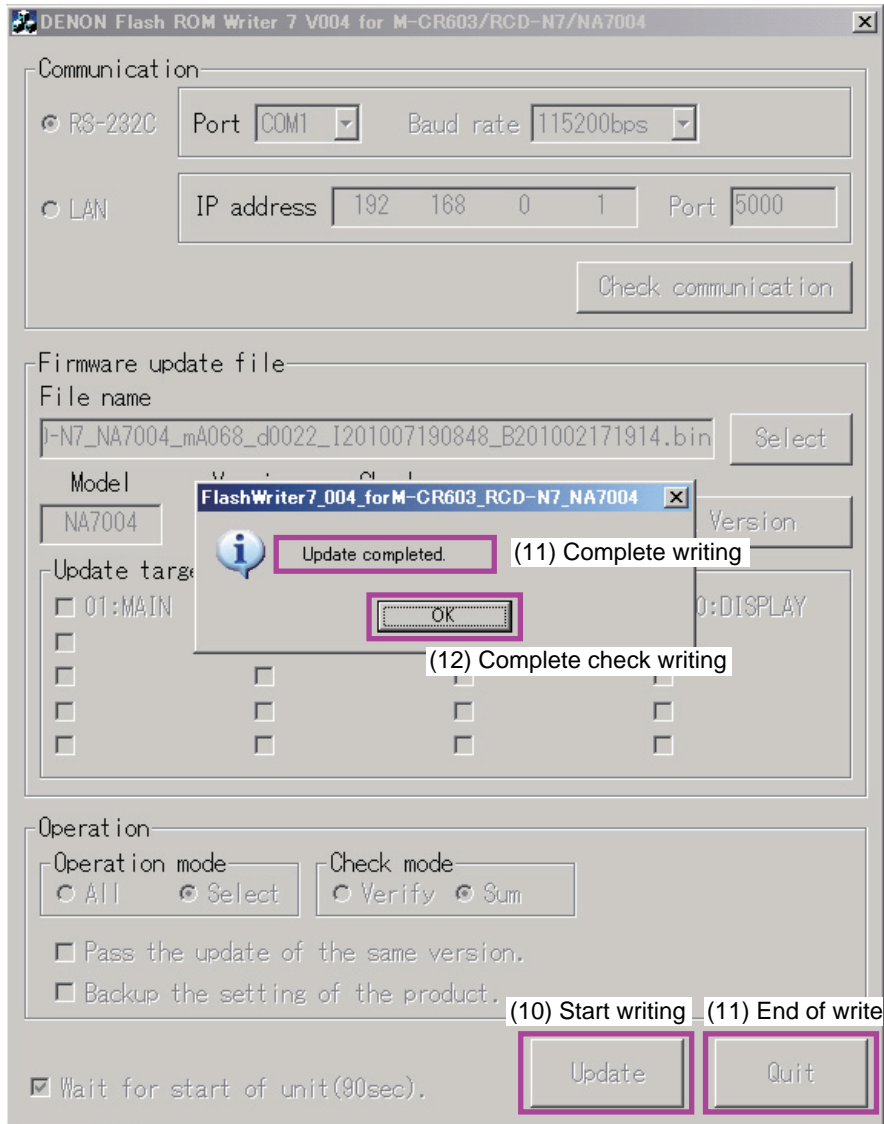


- (7) Click "Select" of "Operation mode".
 (8) Click "03:DM860IMG(i)".



- (9) Click "Sum" of "Check mode".

(10) Click "Update" button. (DM860IMG : about 29 minutes).



(11) When rewriting is completed, the dialog of "Update completed" is displayed.

(12) Click "OK".

(13) Click "Quit".

(14) Unplug the AC power.

(15) Plug the AC power.

Turn on this unit. This unit sets the version display mode.

Please confirm the firmware version.

(16) Check MAC Address.

MENU → Network → Network Info → MAC Address

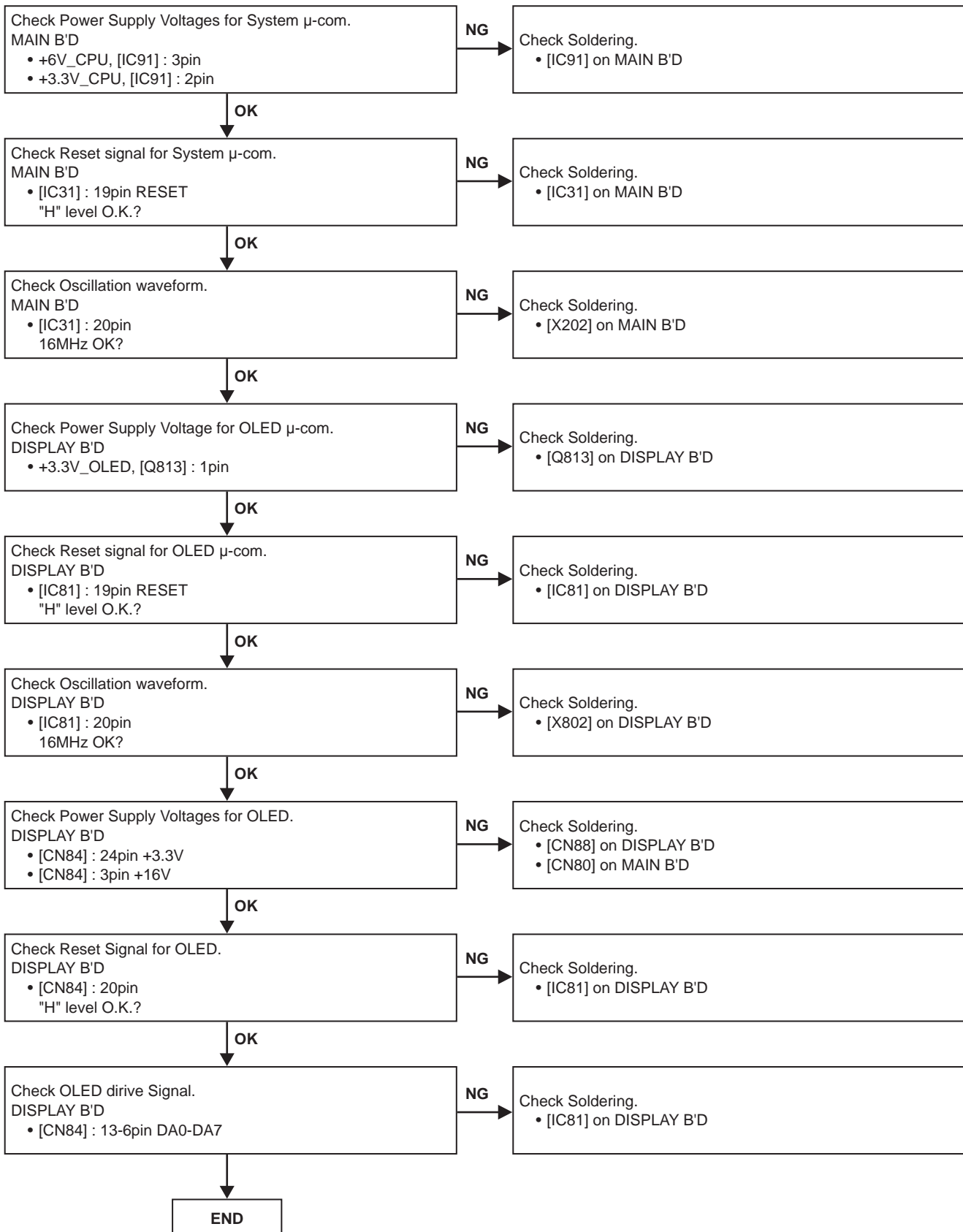
(17) The back panel of the unit, MAC Address seals, please change new one.

Please confirm the MAC Address display is corresponding to the seal.

(18) Plug the power cord into a power outlet while pressing "Cursor ▼" button and "M-DAX" button simultaneously. (Factory Reset)

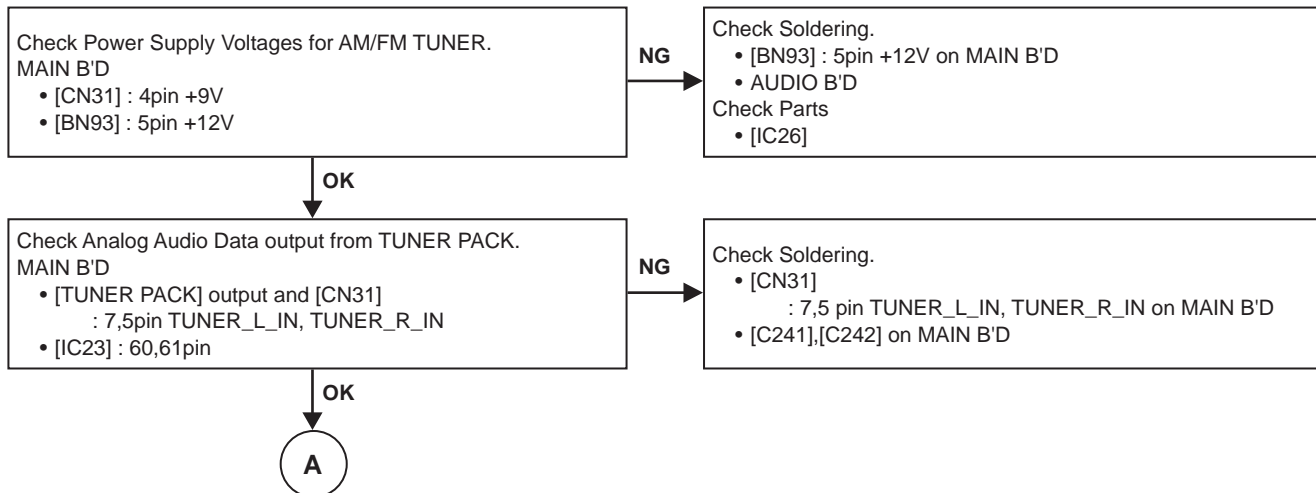
TROUBLE SHOOTING

1. OLED dosen't light

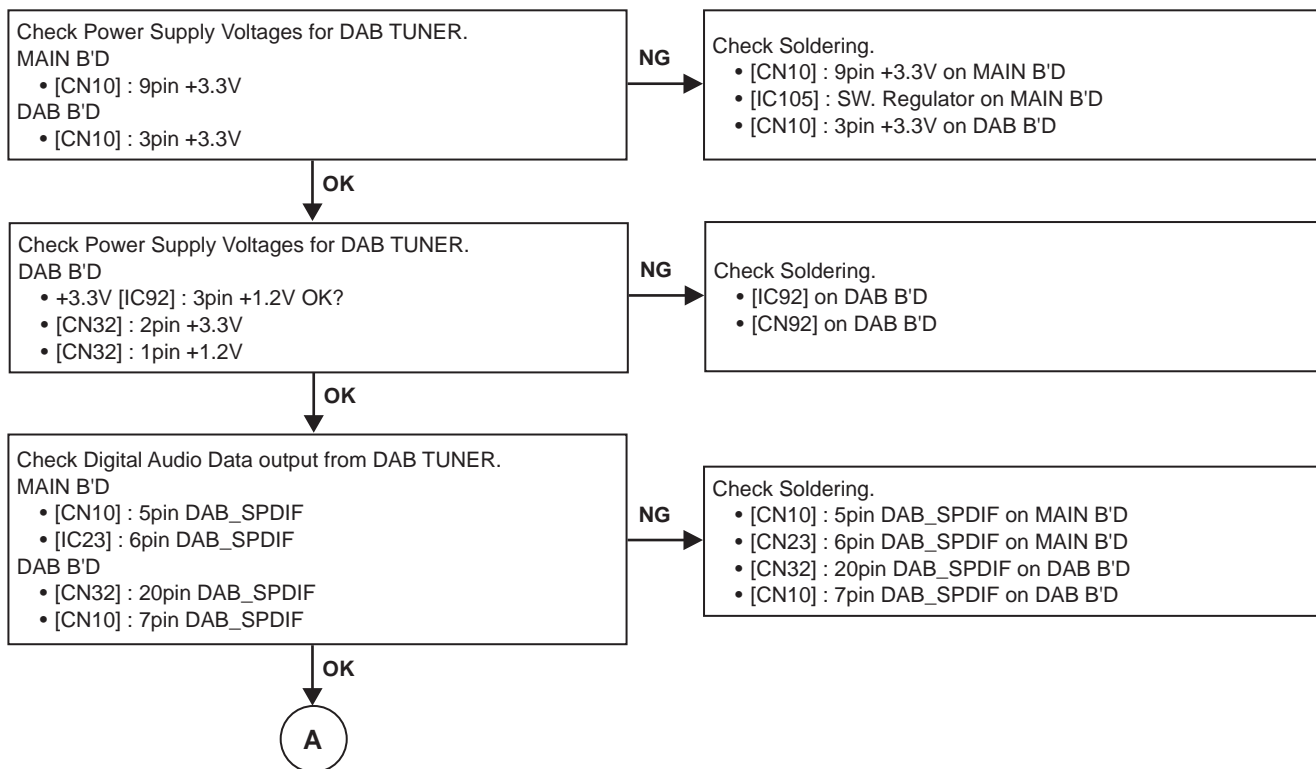


2. No Sound, Noise generated

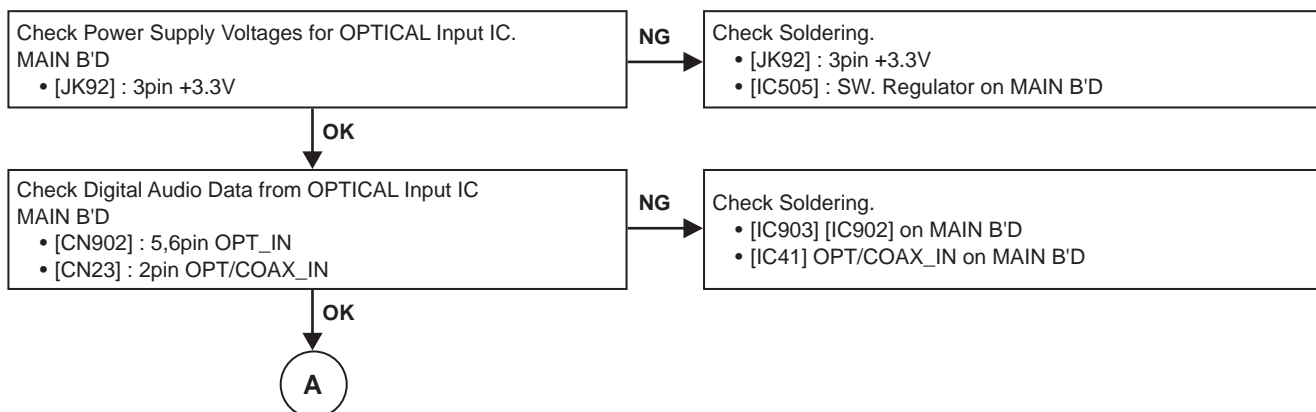
2.1. AM/FM TUNER-in (N Version)



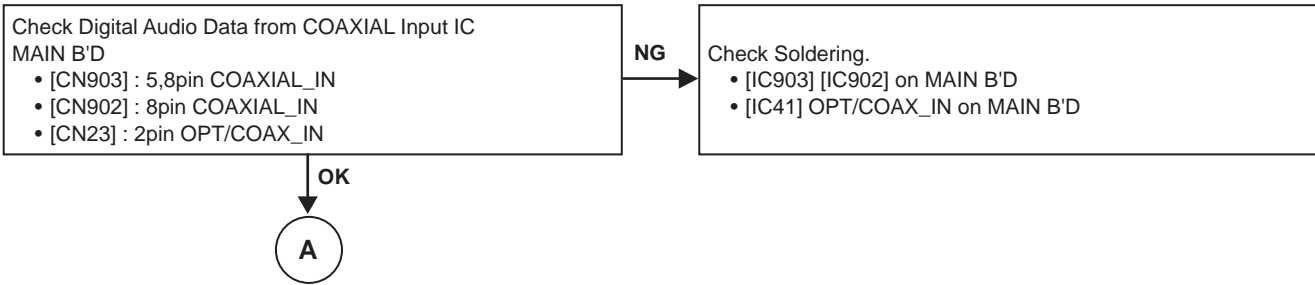
2.2 . DAB TUNER-in (N Version)



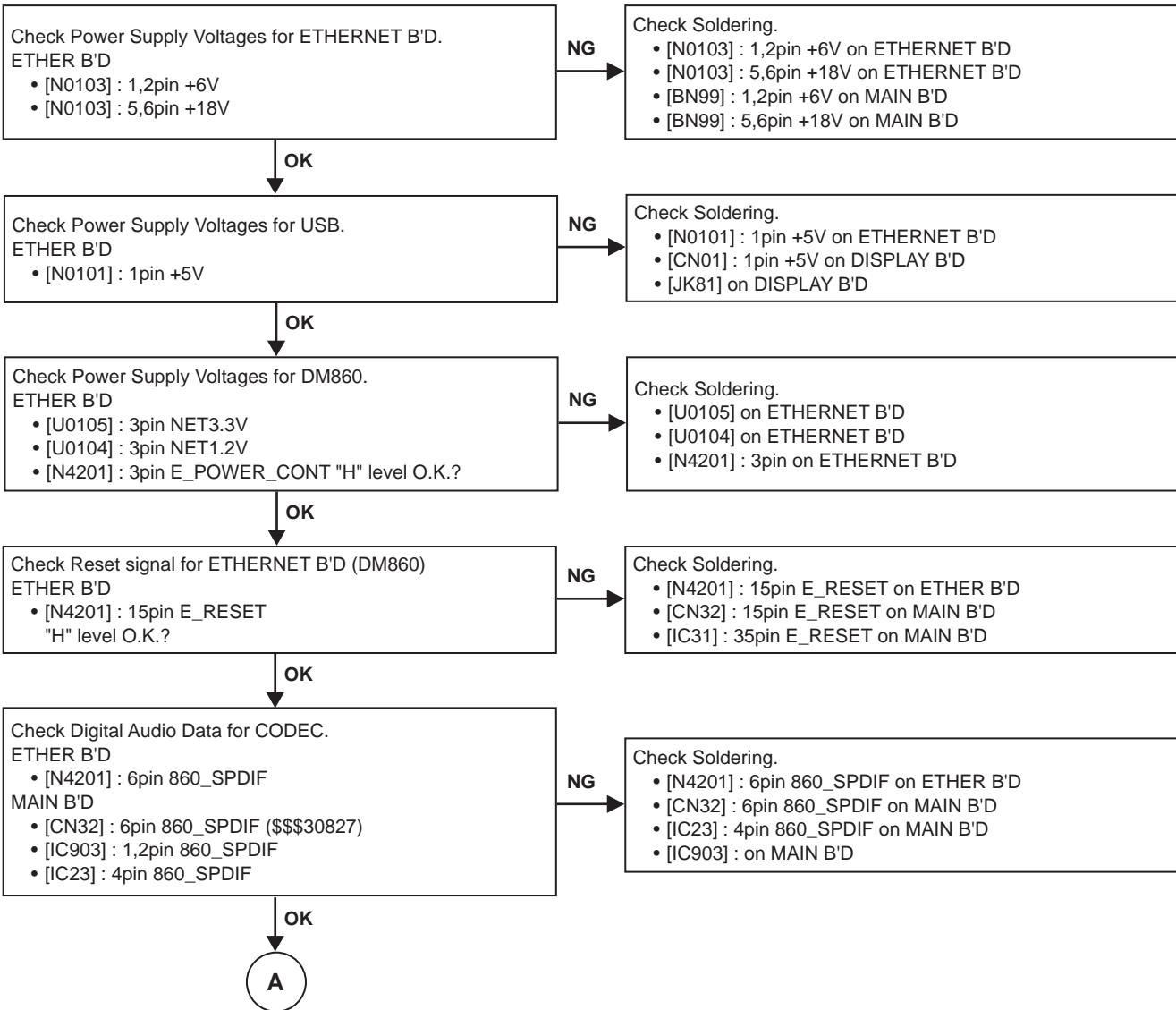
2.3. OPTICAL IN



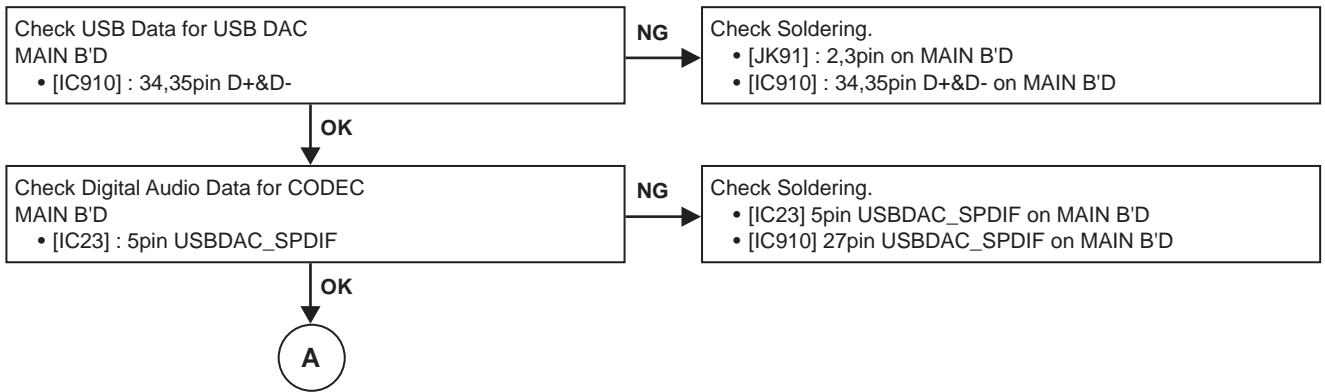
2.4. COAXIAL IN



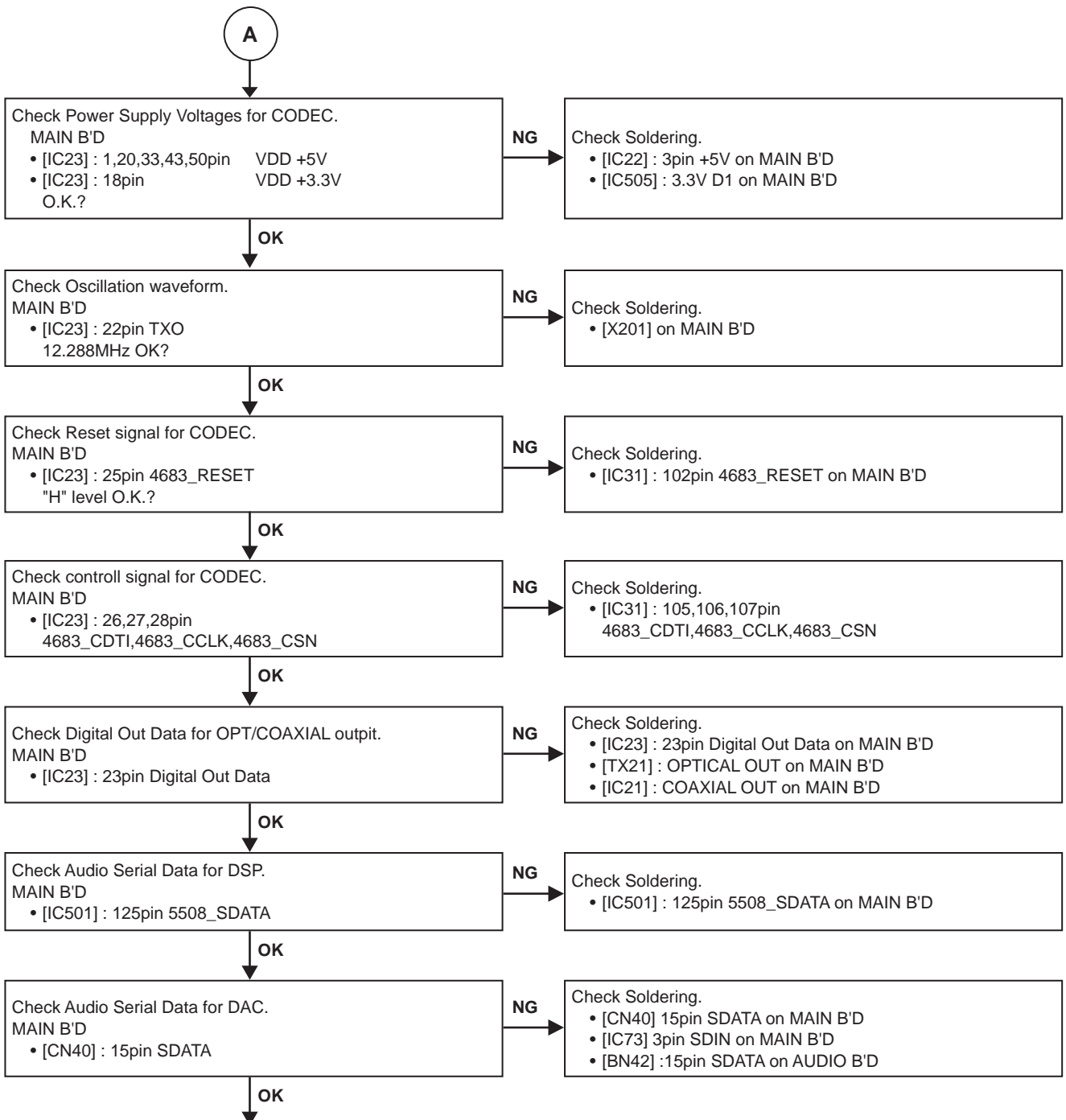
2.5 . USB/ETHERNET

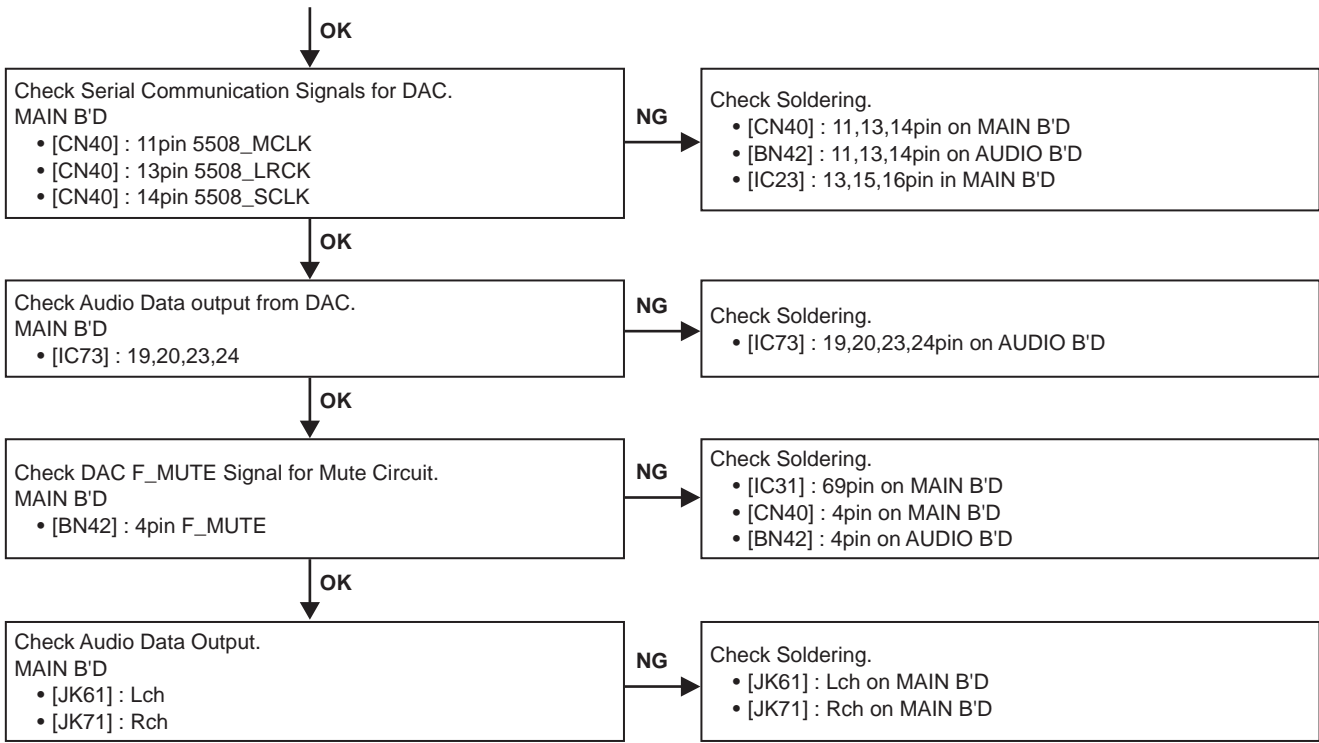


2.6. USB DAC (DIGITAL IN USB)

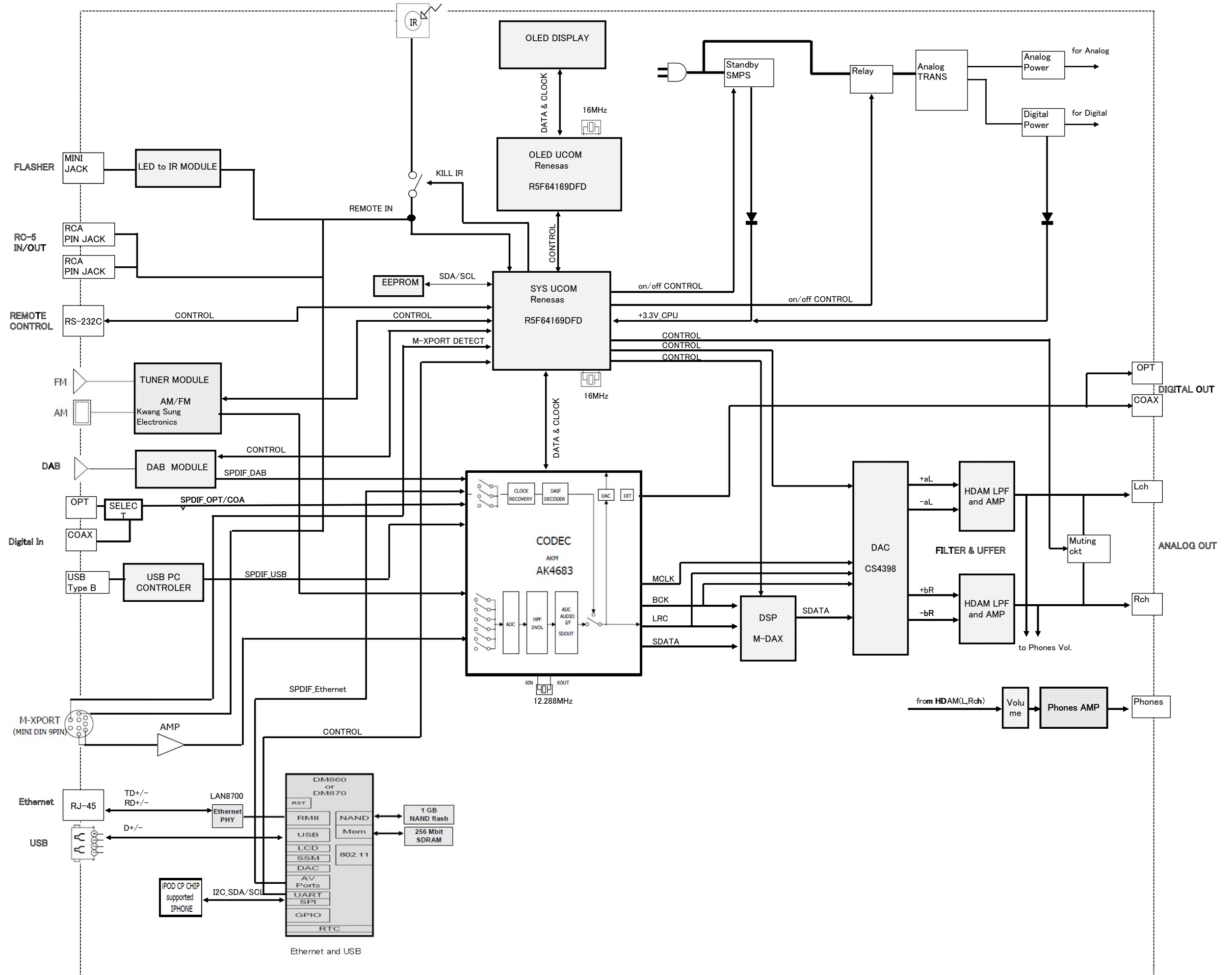


2.7. COMMON PART

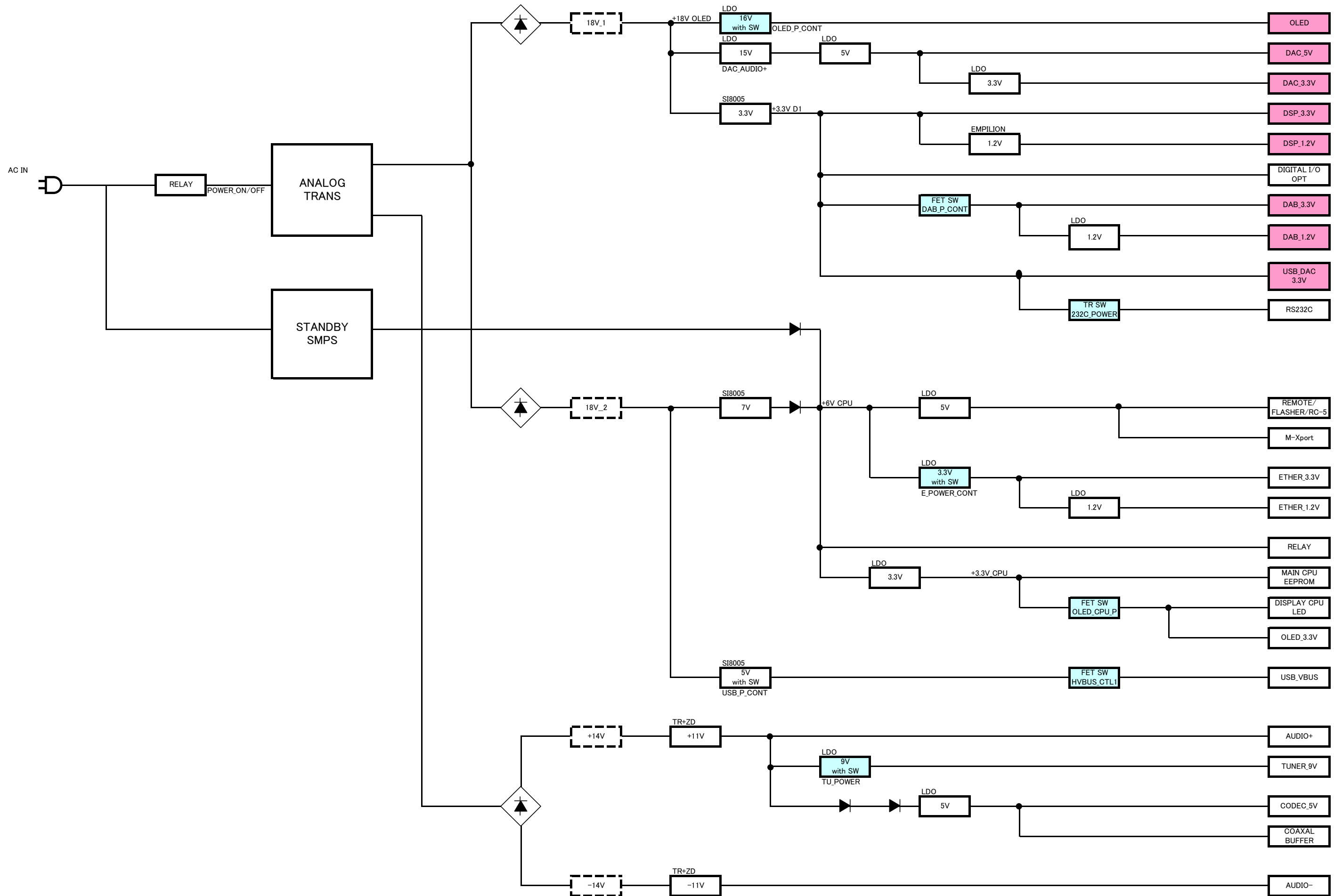




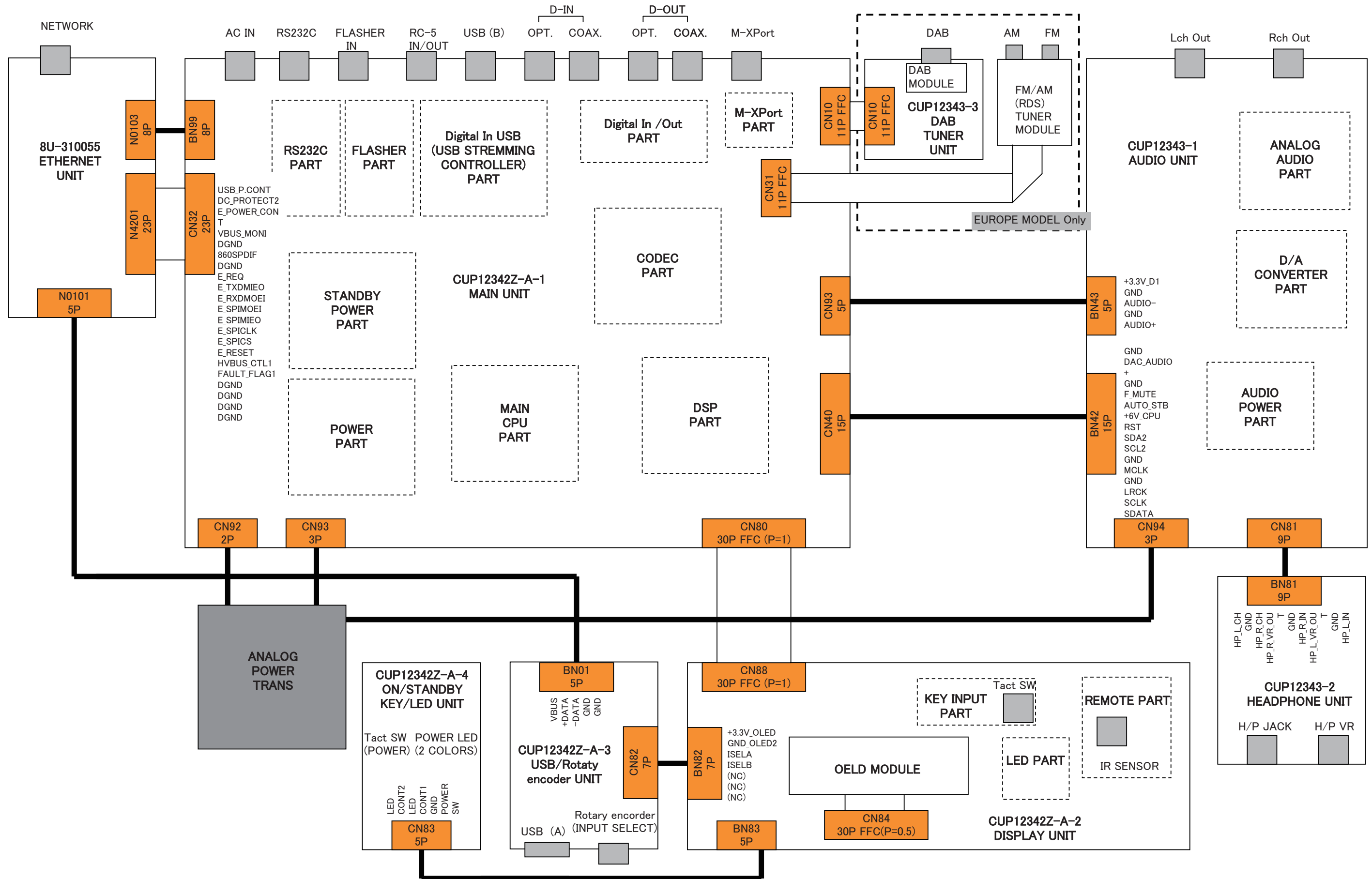
BLOCK DIAGRAM



POWER DIAGRAM

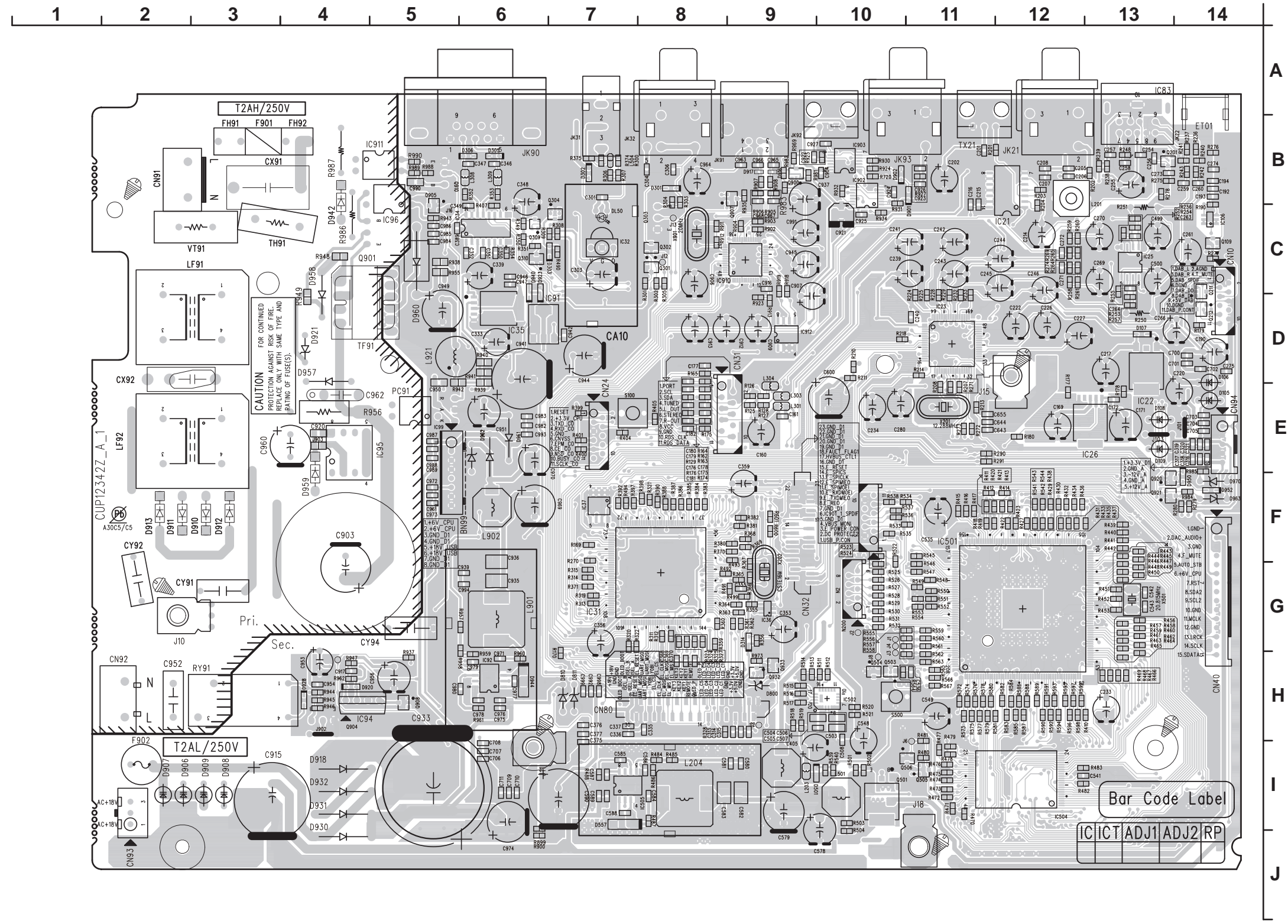


WIRING DIAGRAM



PRINTED WIRING BOARDS

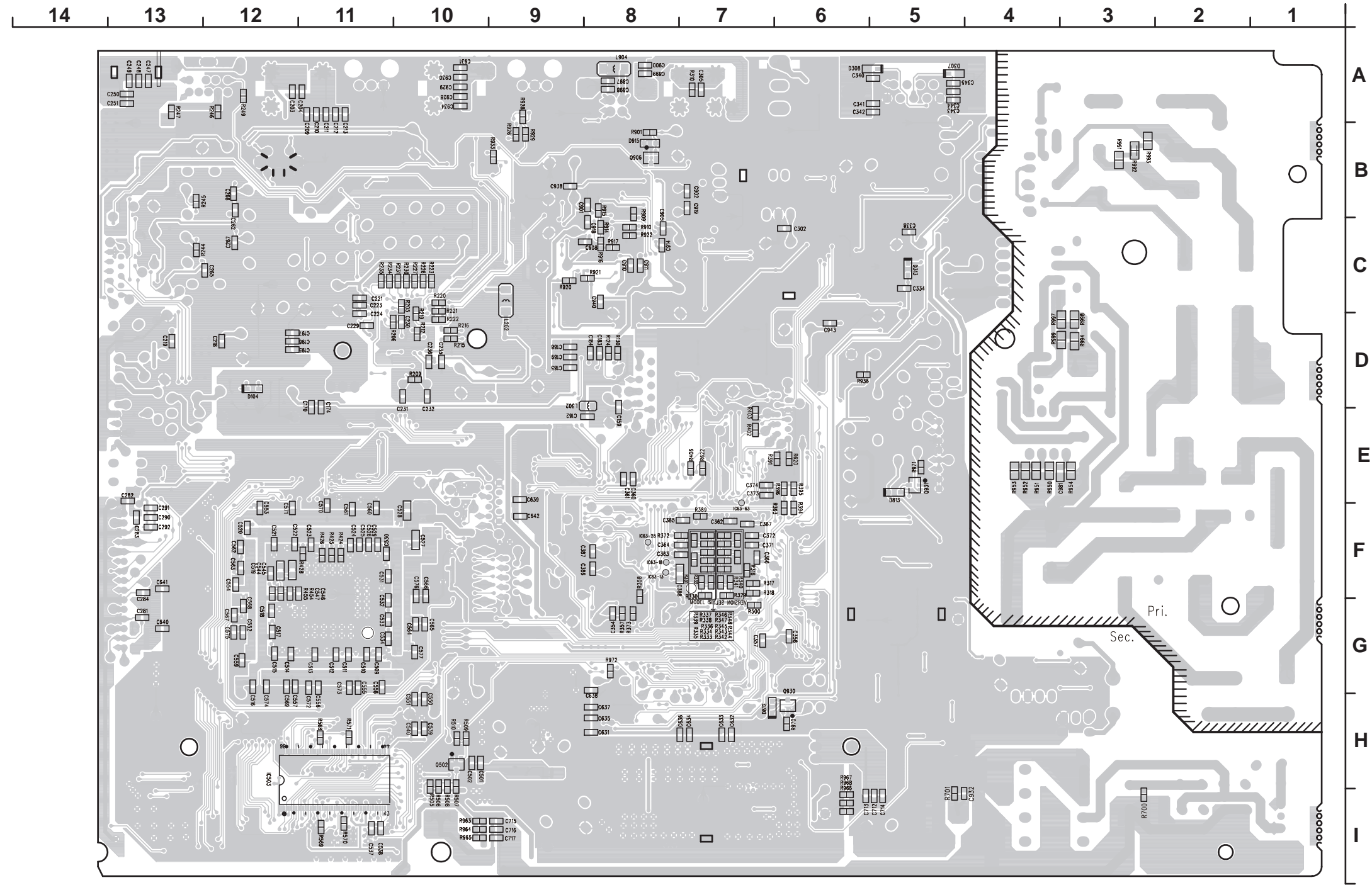
MAIN PCB (COMPONENT SIDE)



鉛フリー半田
半田付けには、鉛フリー半田 (Sn-Ag-Cu) を使用してください。

Lead-free Solder
When soldering, use the Lead-free Solder (Sn-Ag-Cu).

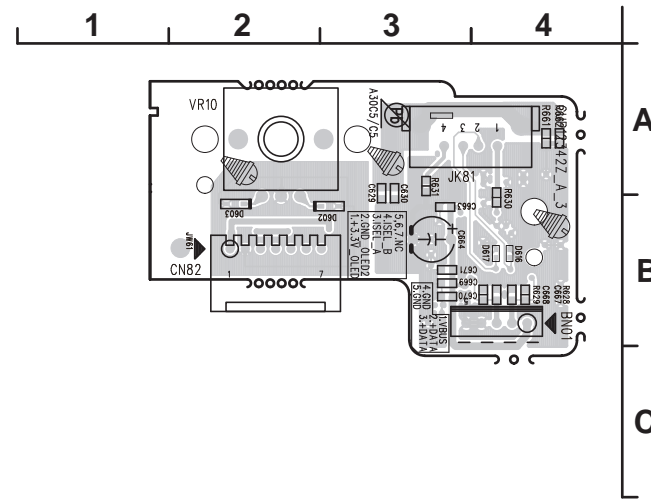
MAIN PCB (FOIL SIDE)



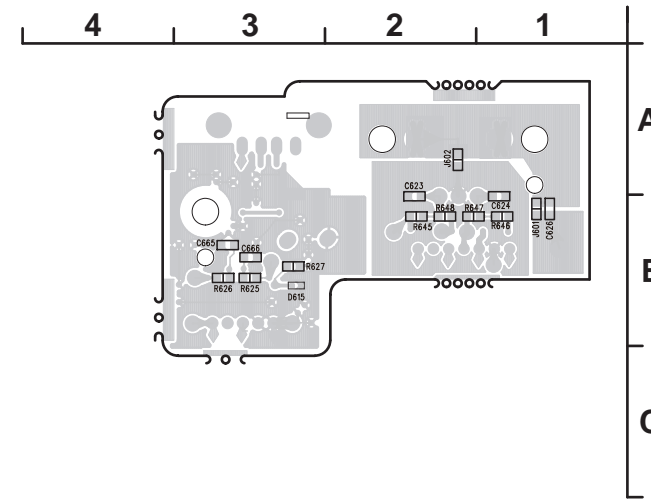
鉛フリー半田
 半田付けには、鉛フリー半田 (Sn-Ag-Cu) を使用してください。

Lead-free Solder
 When soldering, use the Lead-free Solder (Sn-Ag-Cu).

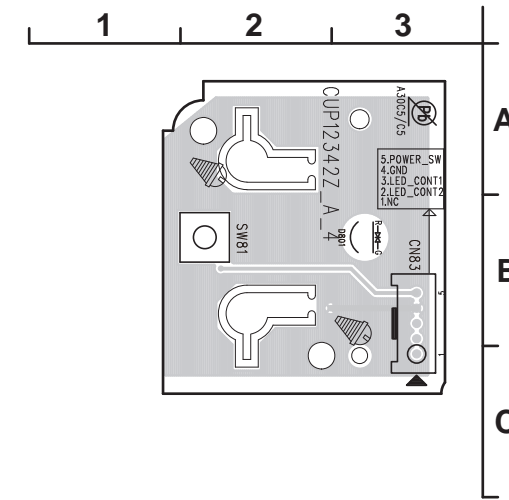
USB PCB (COMPONENT SIDE)



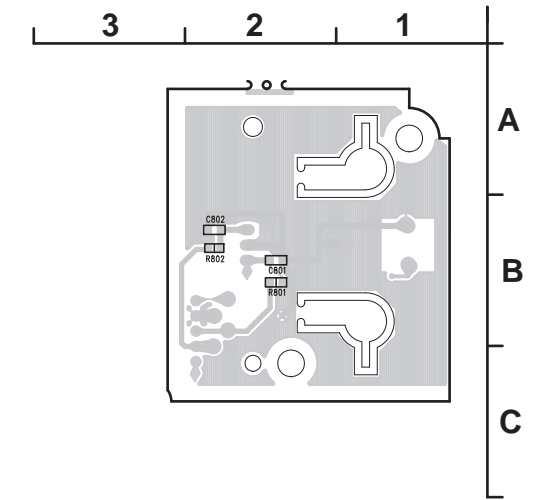
USB PCB (FOIL SIDE)



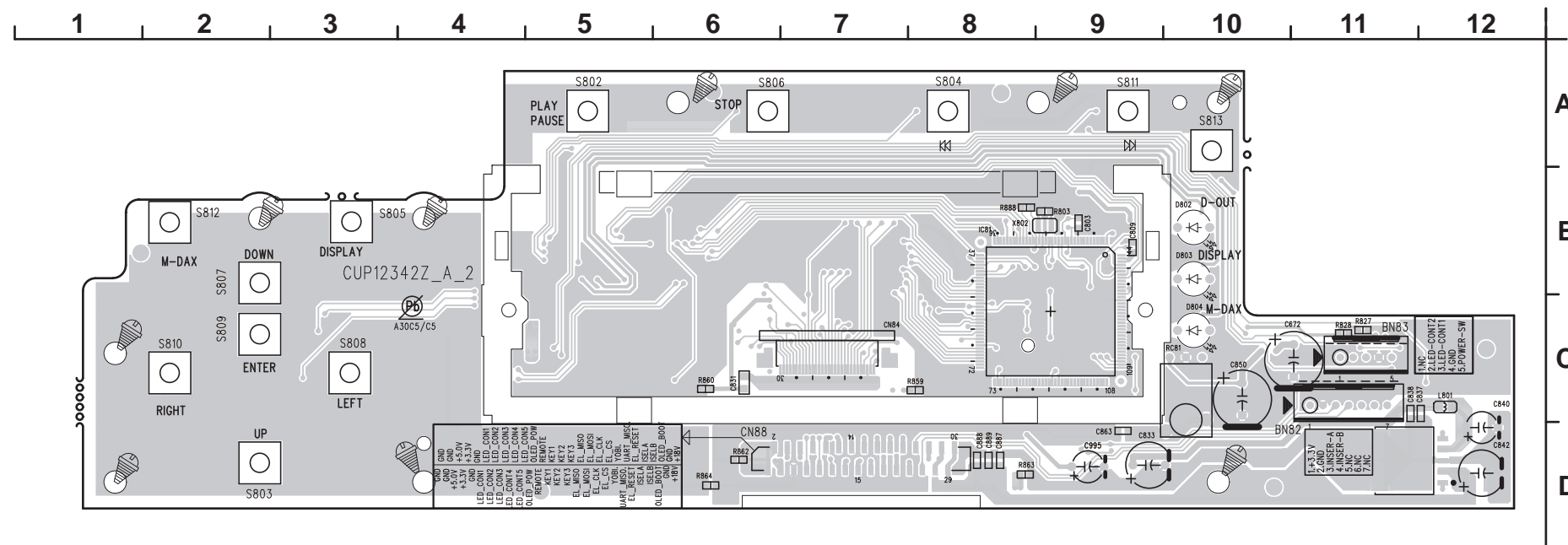
STANDBY PCB (COMPONENT SIDE)



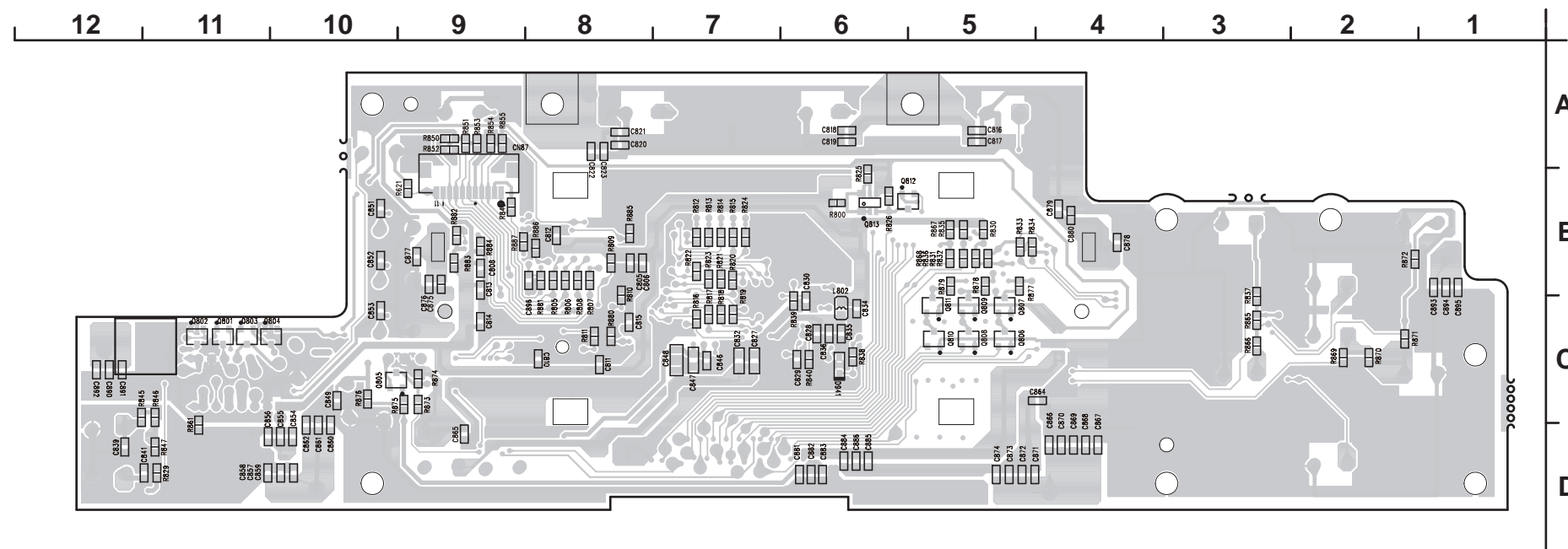
STANDBY (FOIL SIDE)



DISPLAY PCB (COMPONENT SIDE)

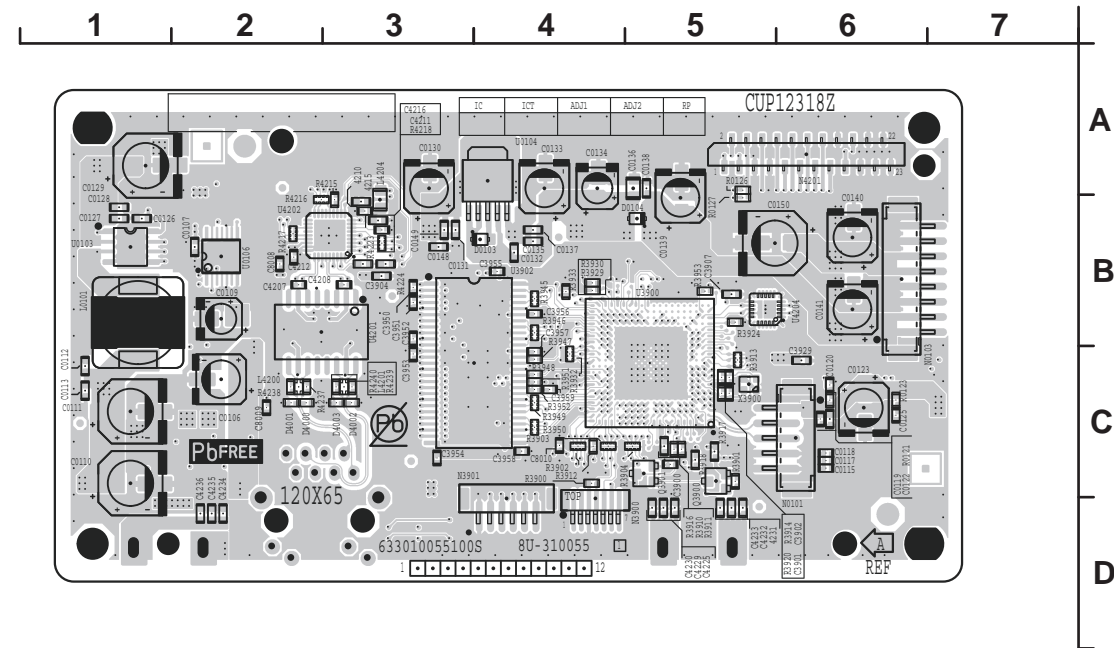


DISPLAY PCB (FOIL SIDE)

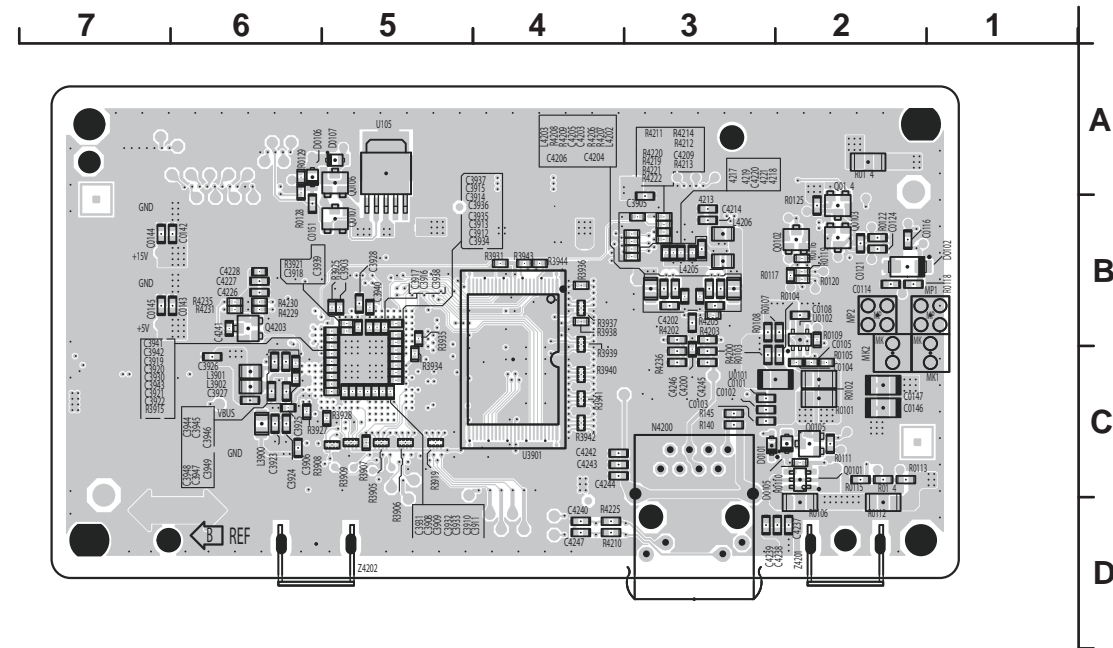


鉛フリー半田
半田付けには、鉛フリー半田 (Sn-Ag-Cu) を使用してください。
Lead-free Solder
When soldering, use the Lead-free Solder (Sn-Ag-Cu).

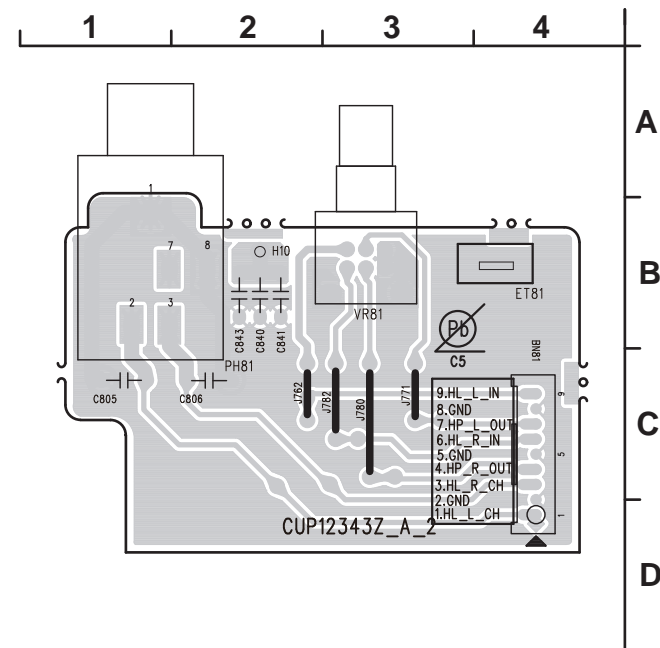
ETHERNET PCB (COMPONENT SIDE)



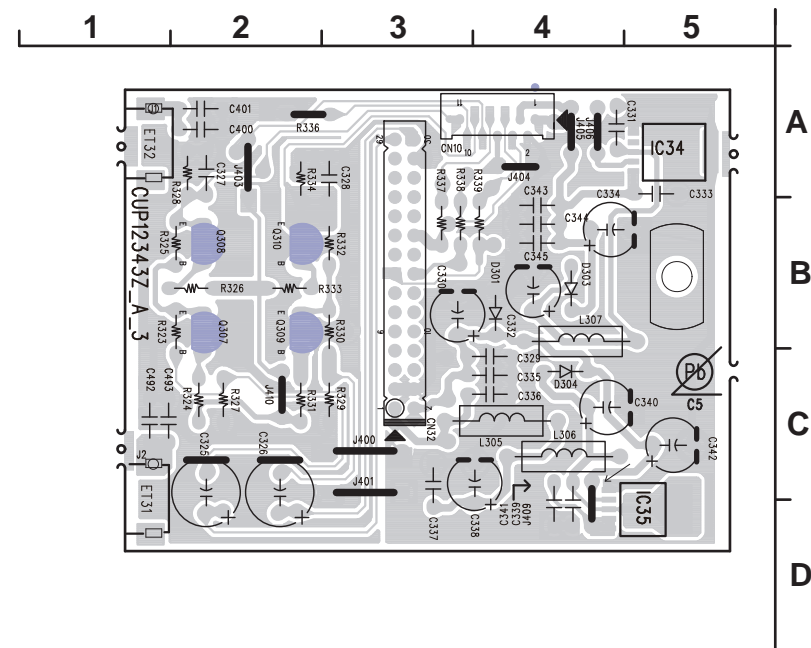
ETHERNET PCB (FOIL SIDE)



PHONE PCB (COMPONENT SIDE)



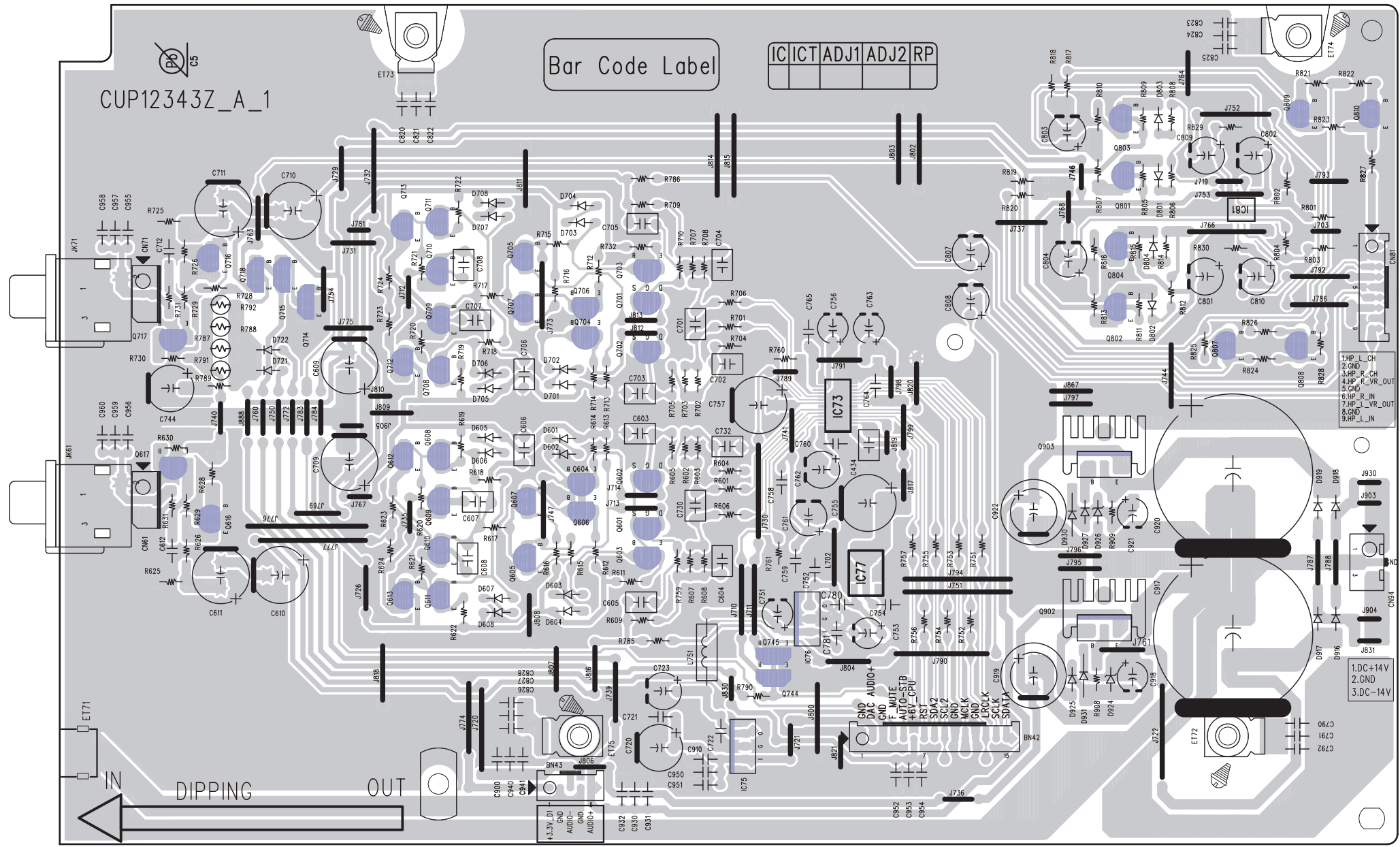
DAB PCB (COMPONENT SIDE)



鉛フリー半田
半田付けには、鉛フリー半田 (Sn-Ag-Cu) を使用してください。

Lead-free Solder
When soldering, use the Lead-free Solder (Sn-Ag-Cu).

1 2 3 4 5 6 7 8 9 10 11 12 13 14



A
B
C
D
E
F
G
H
I

DSP

1 2 3 5/12 4 5 6 7 8

A

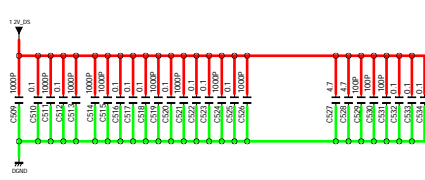
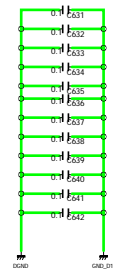
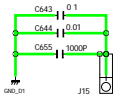
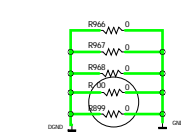
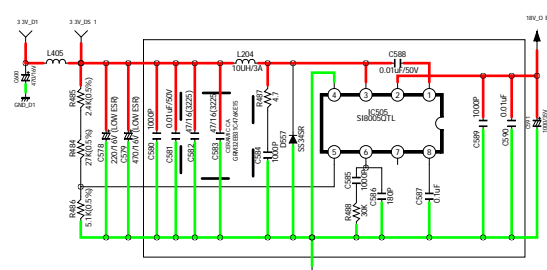
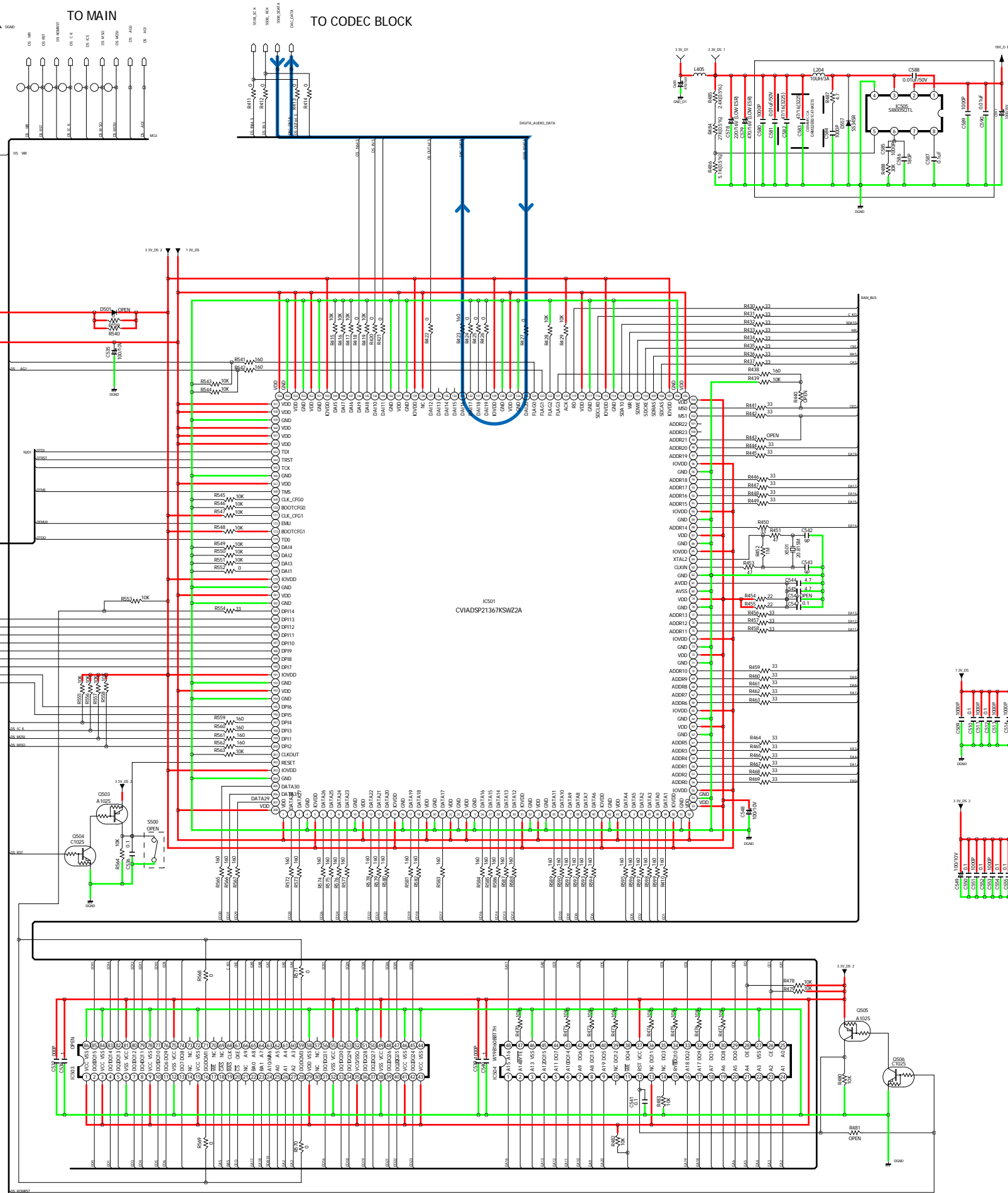
B

C

D

E

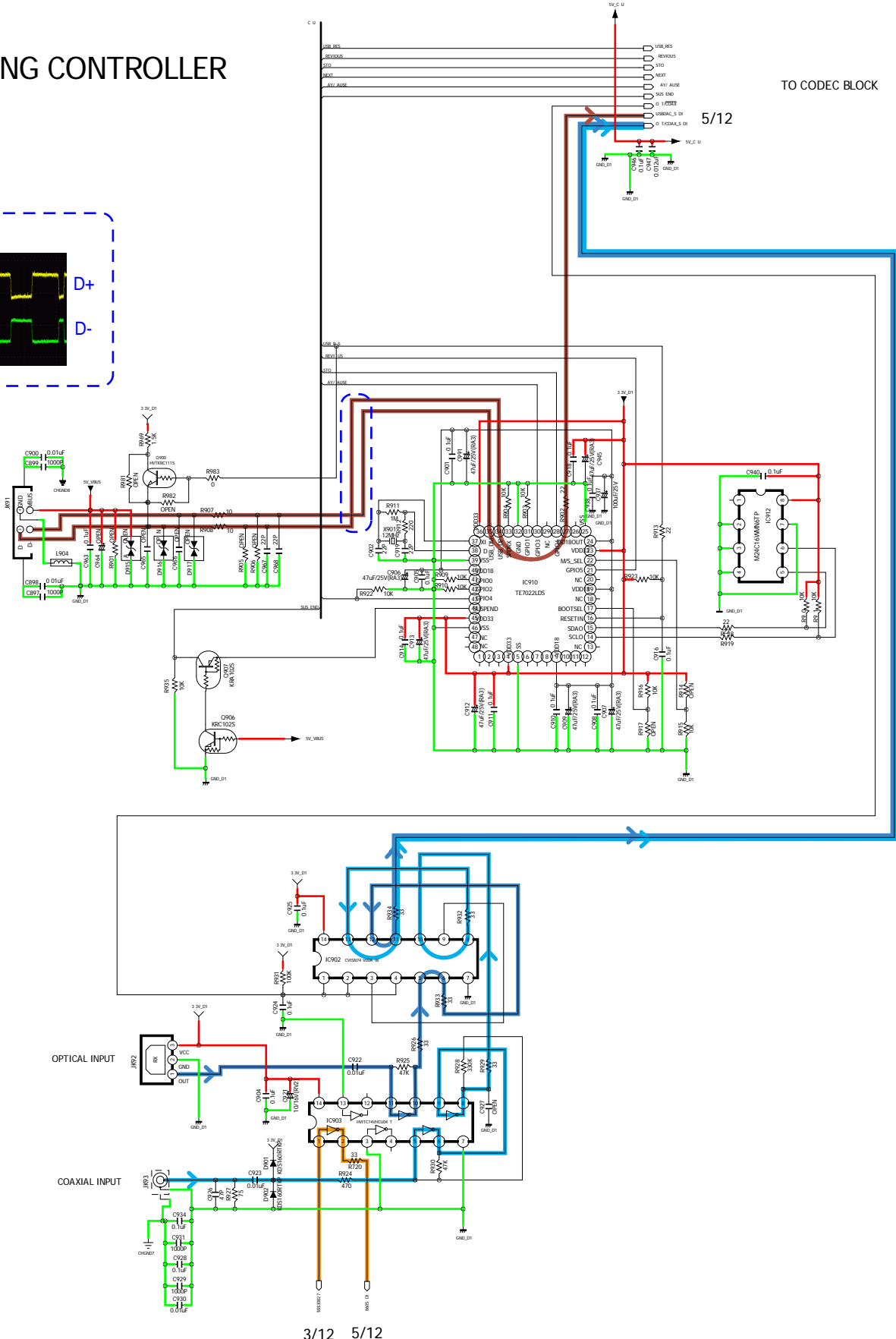
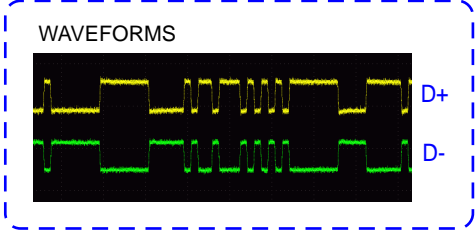
F



— GND — POWER + — POWER -

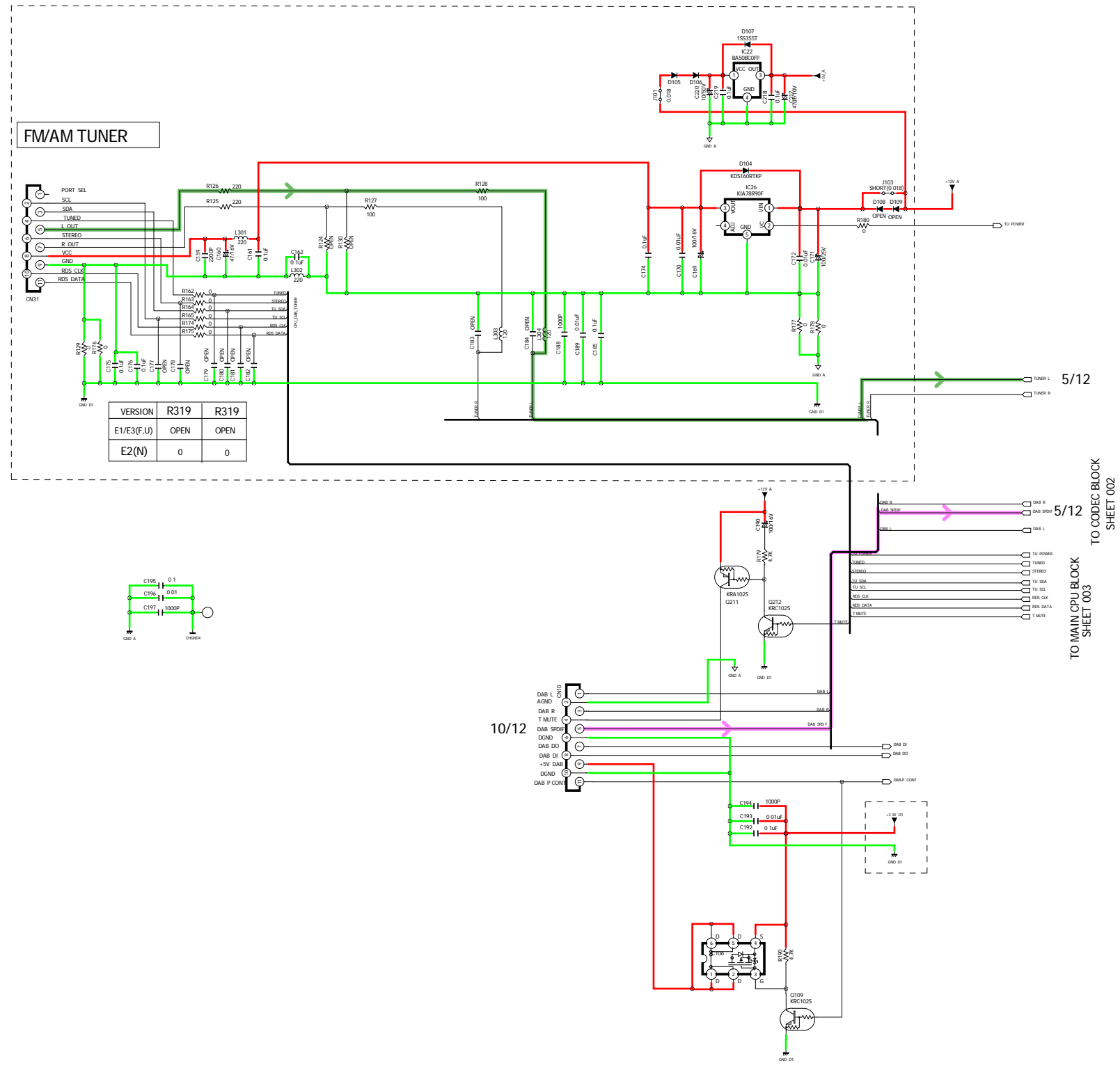
SCHEMATIC DIAGRAMS (1/12)

USB STREAMING CONTROLLER

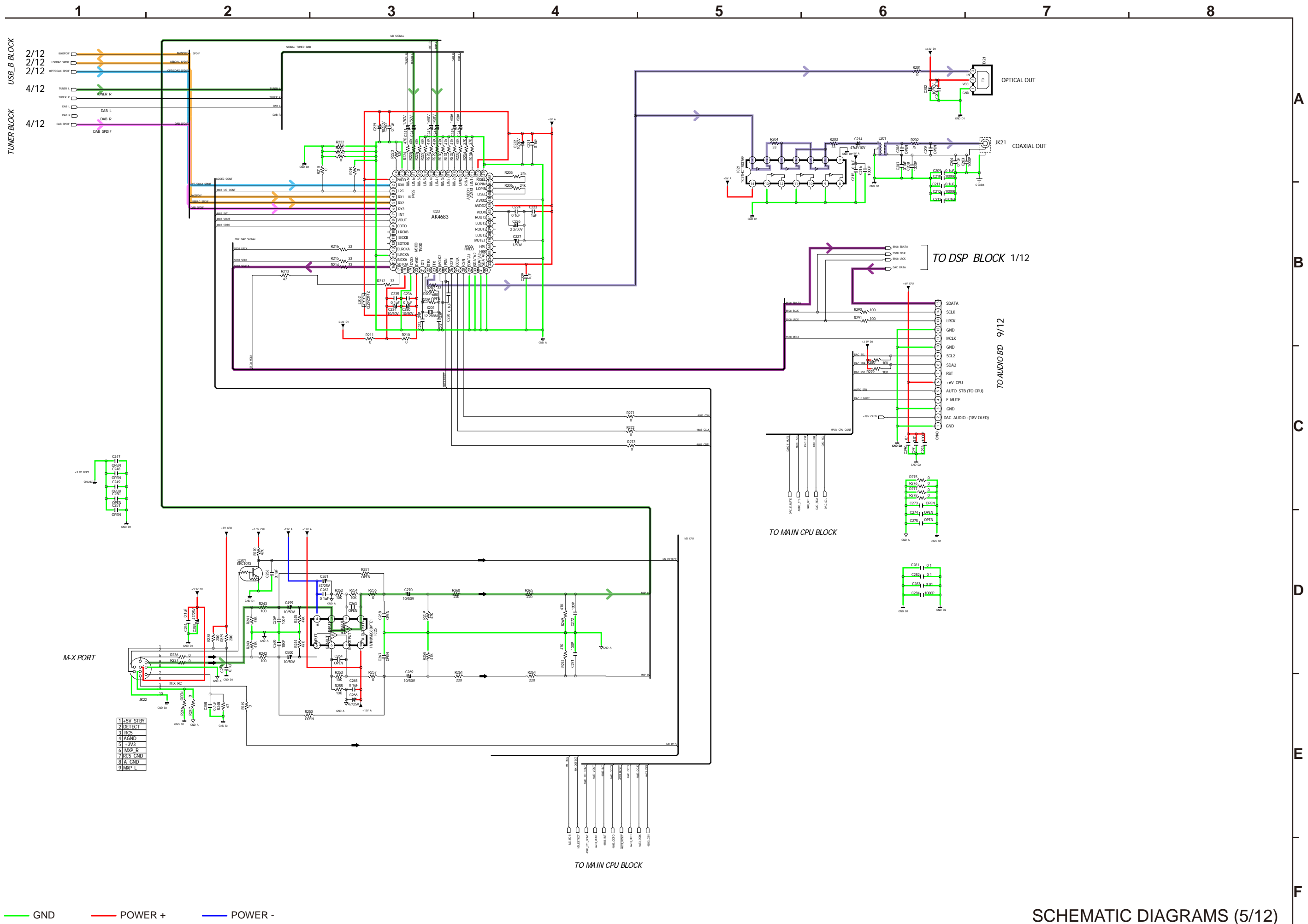


— GND — POWER + — POWER -

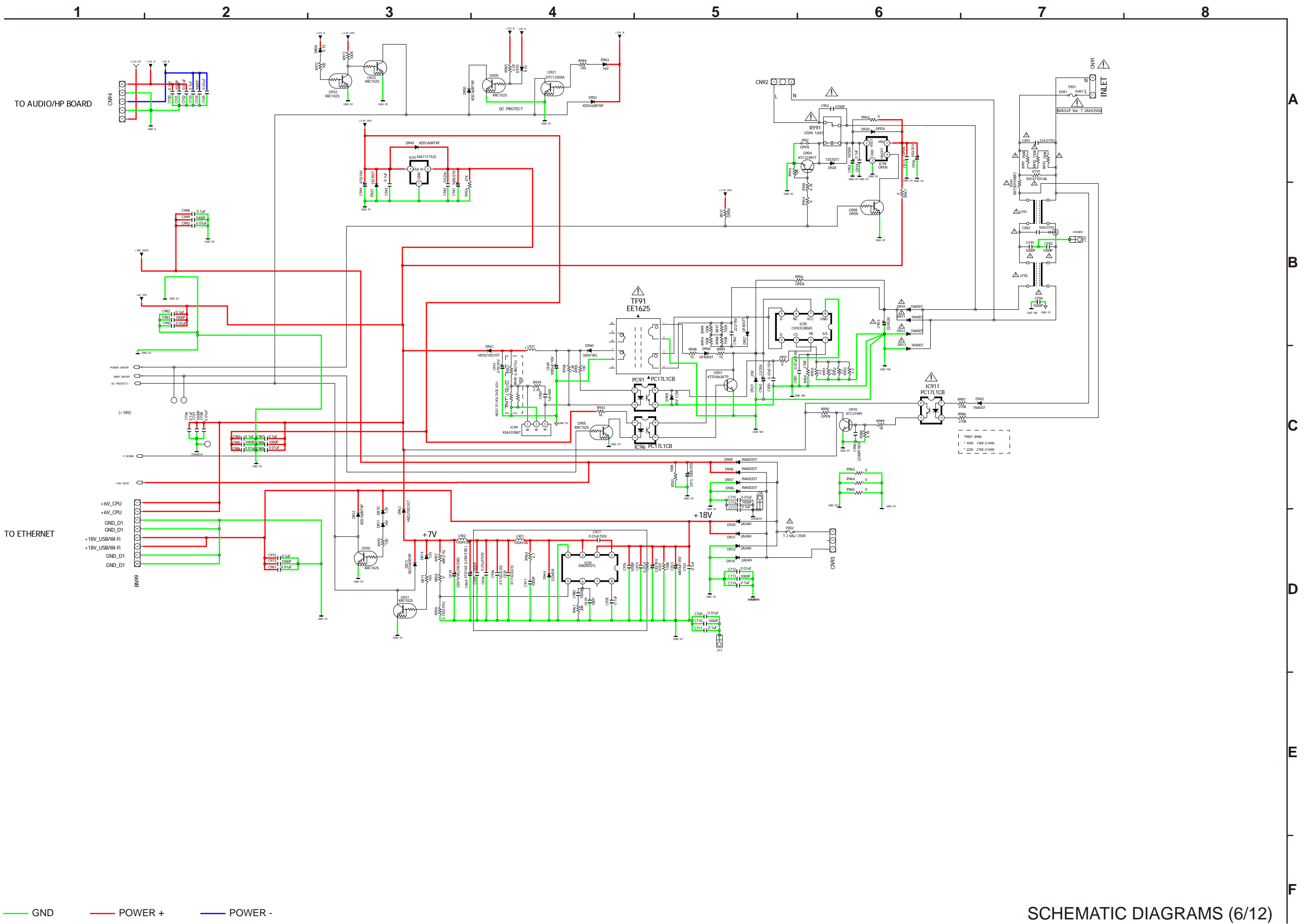
A
B
C
D
E
F



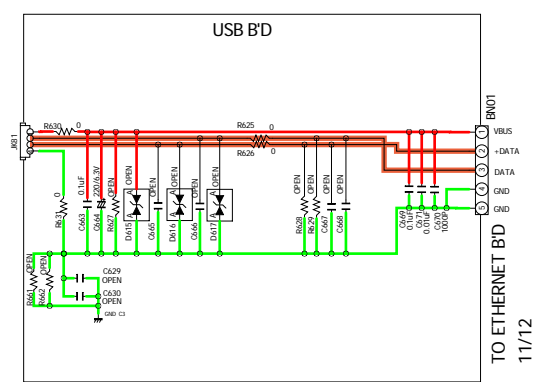
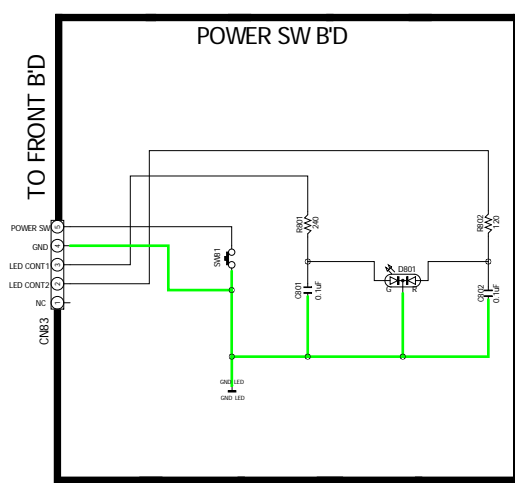
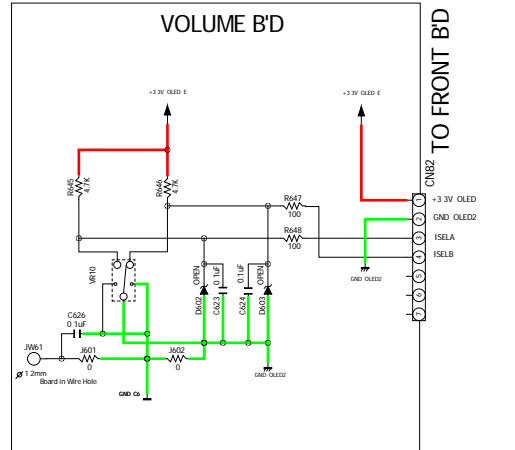
— GND — POWER + — POWER -



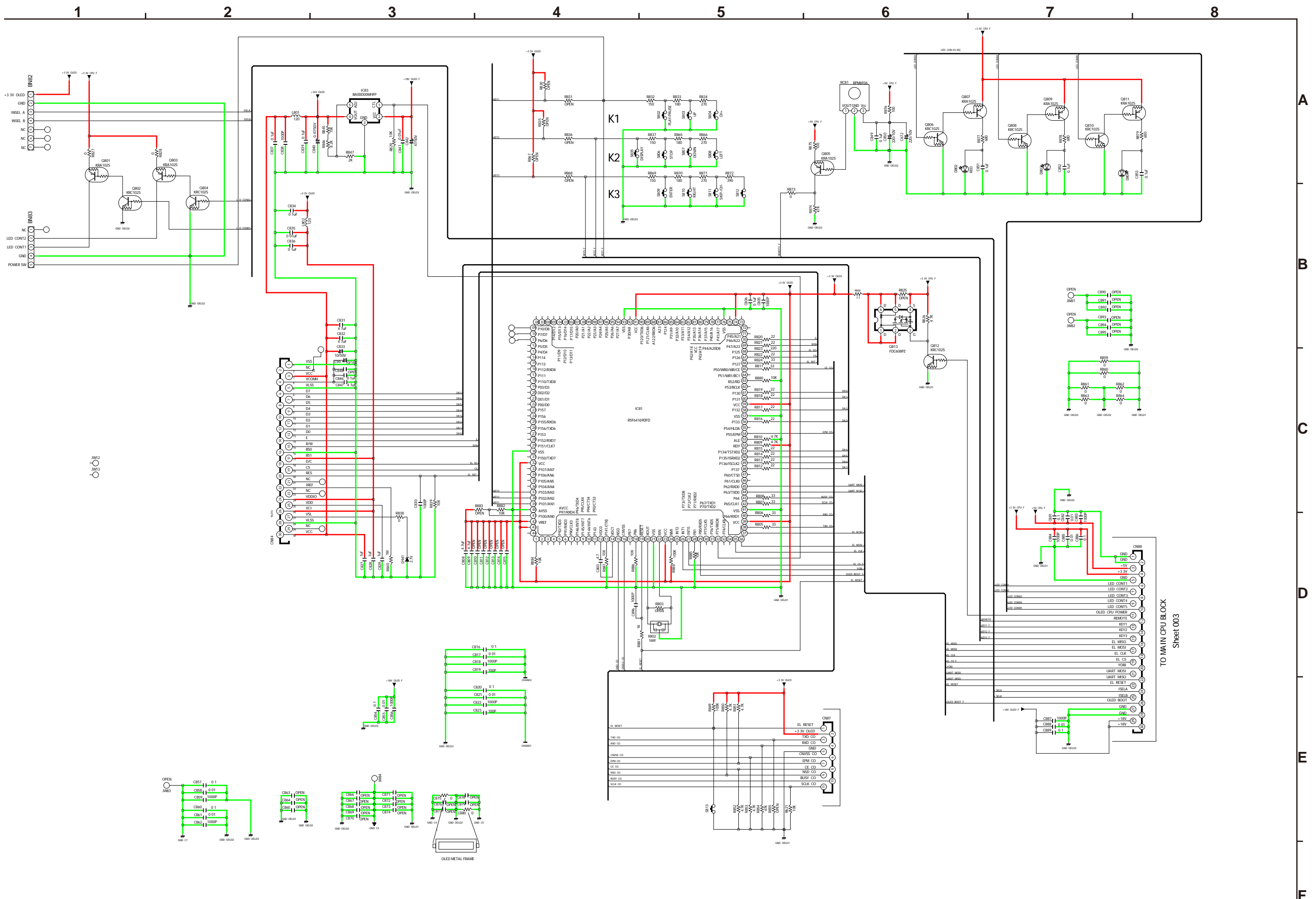
SCHEMATIC DIAGRAMS (5/12)



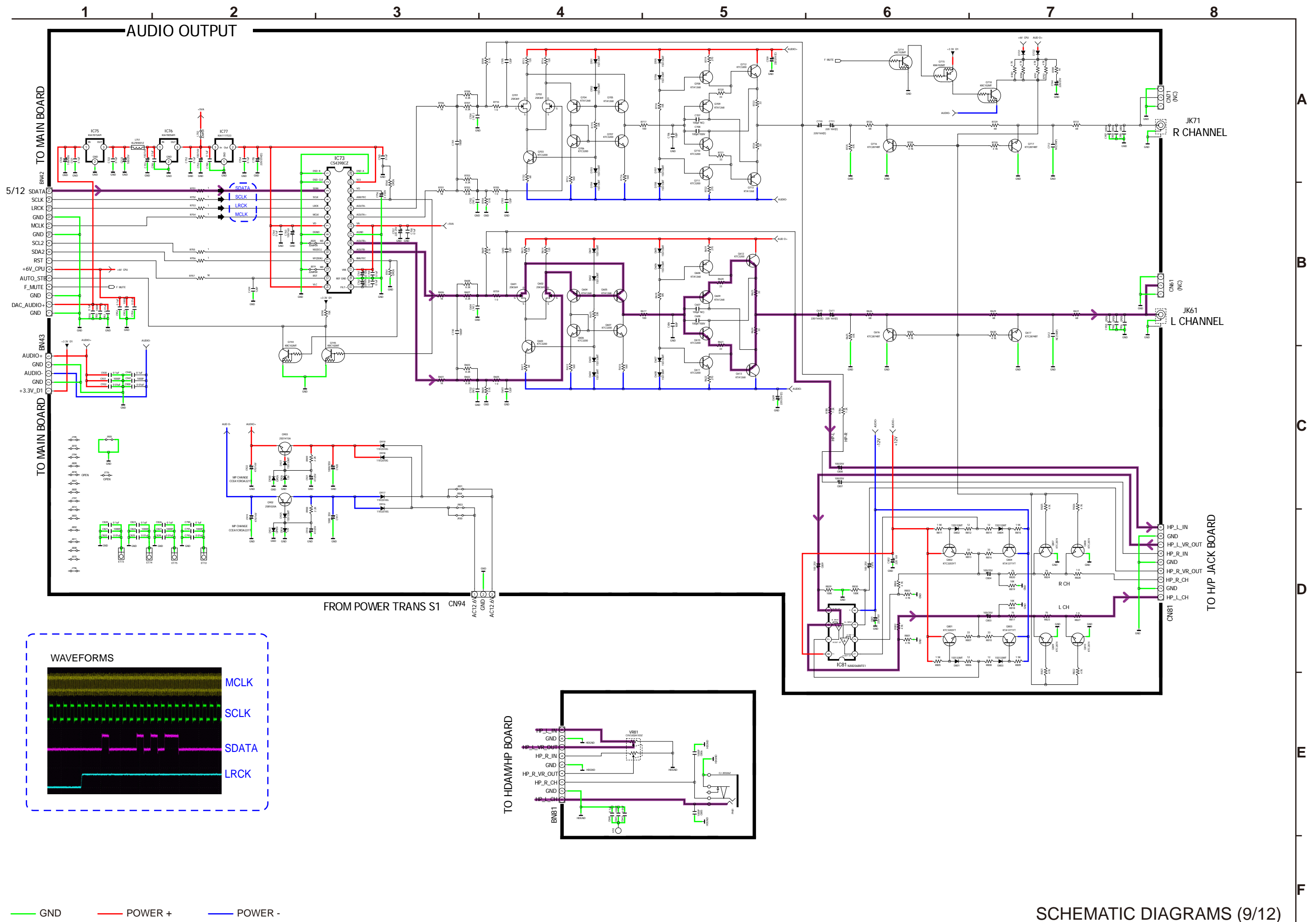
SCHEMATIC DIAGRAMS (6/12)



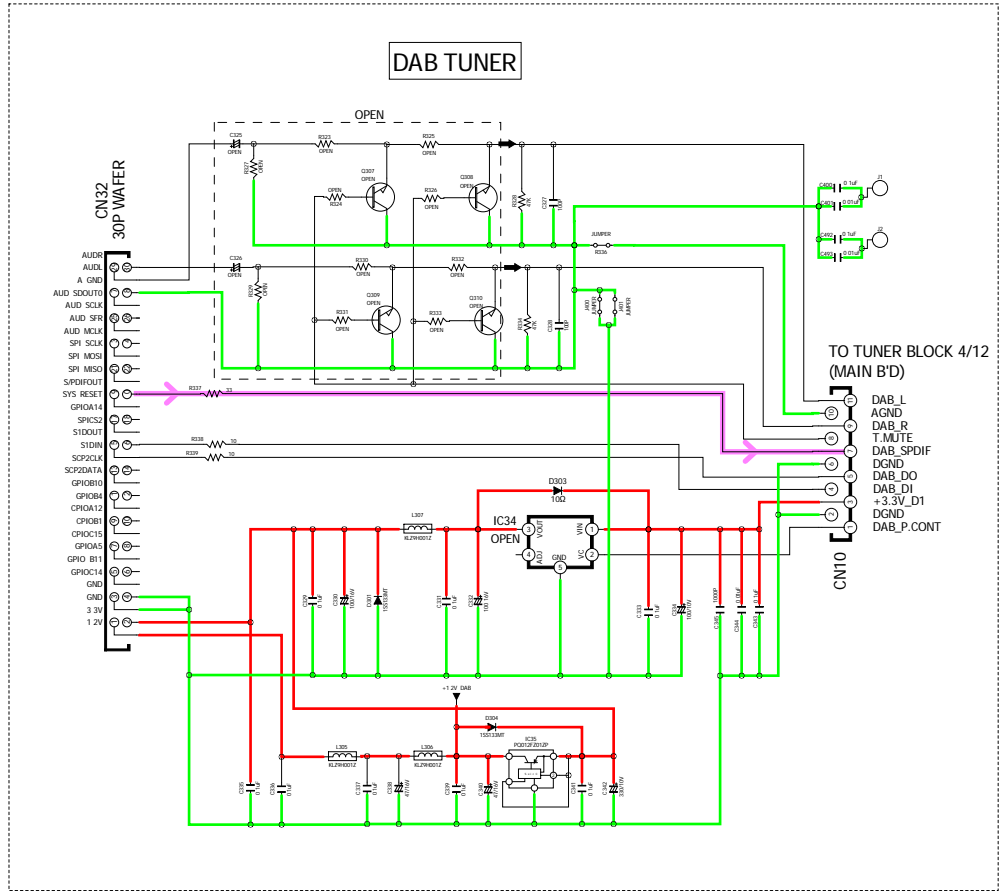
— GND — POWER + — POWER -



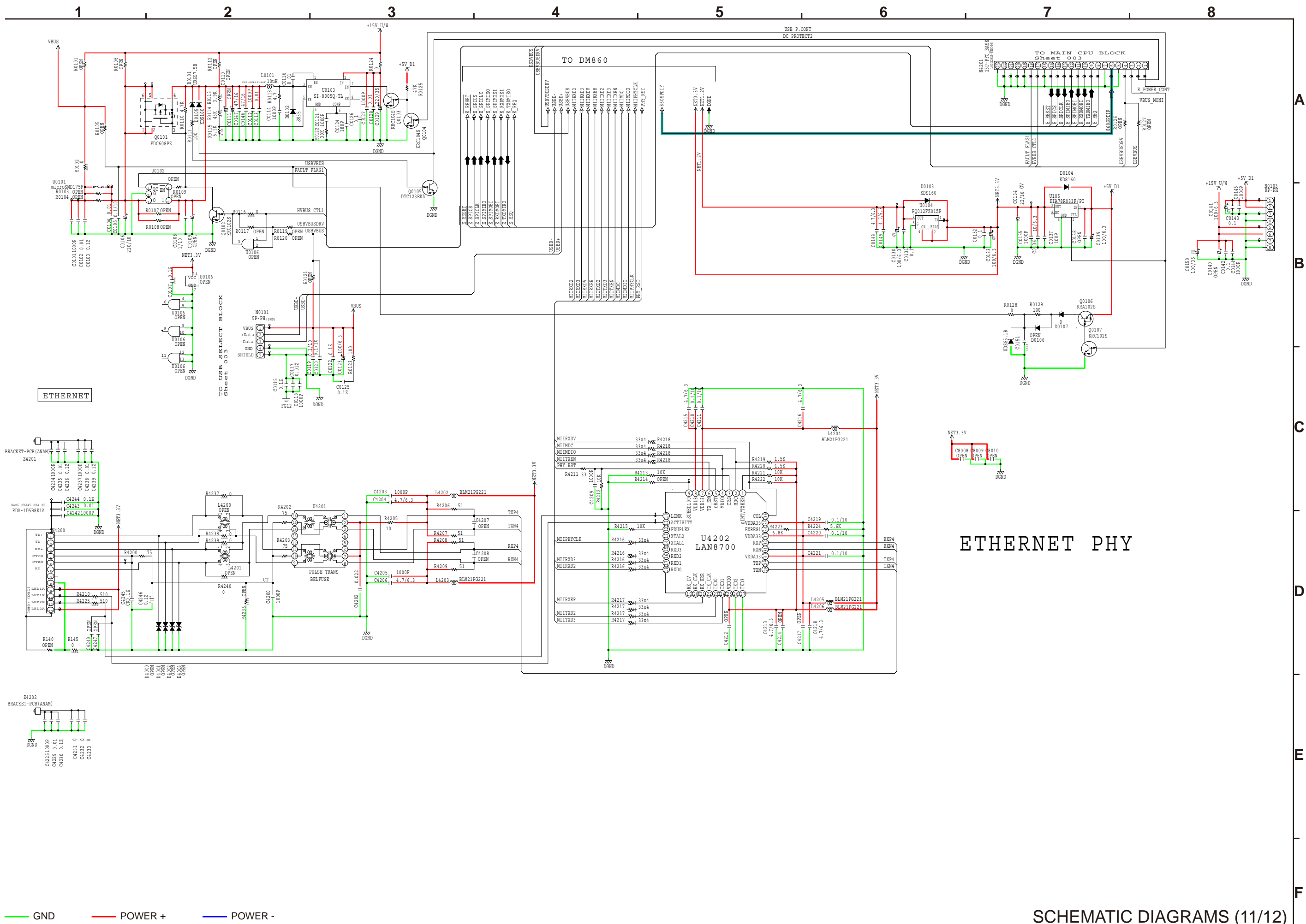
SCHEMATIC DIAGRAMS (8/12)

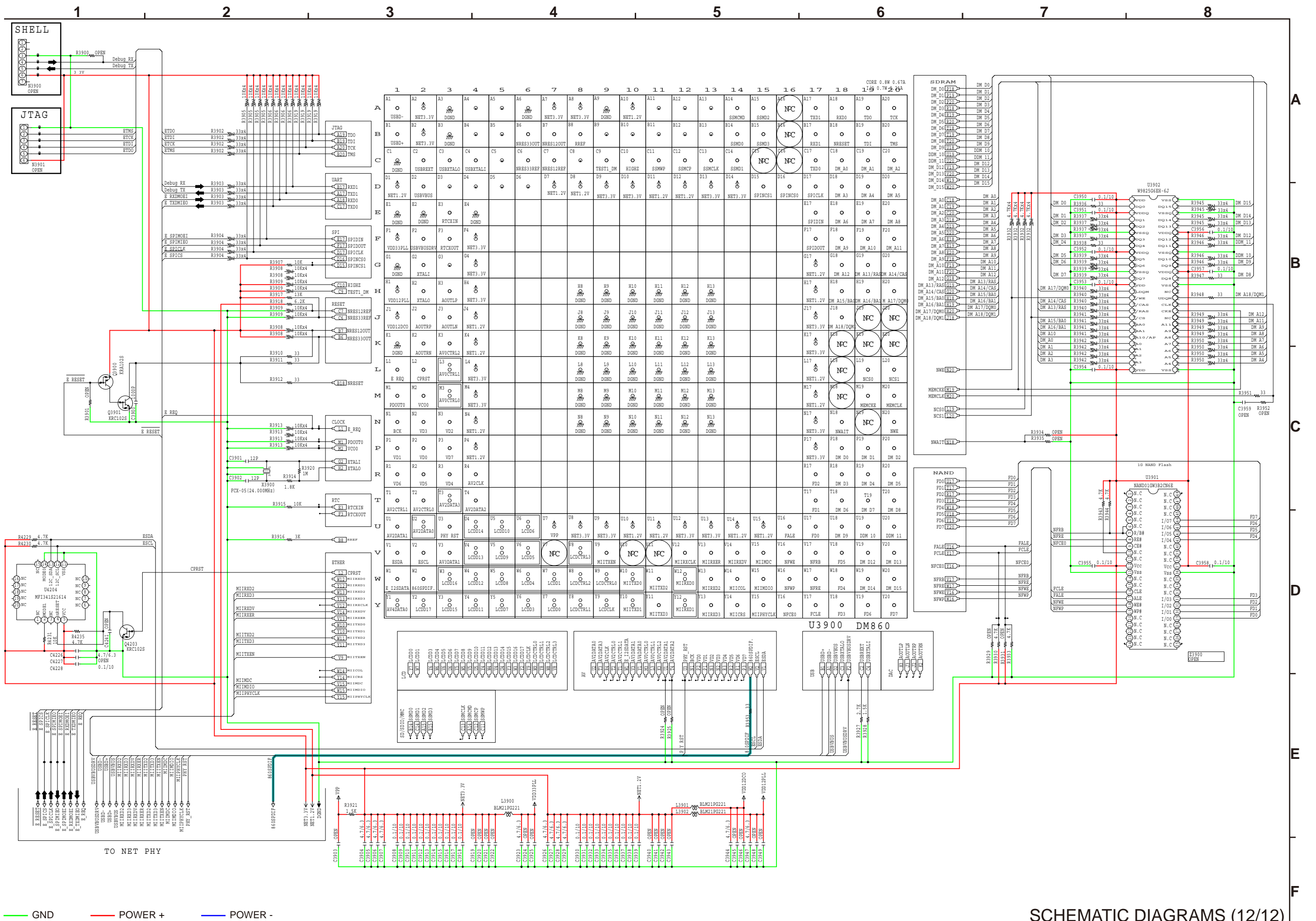


SCHMATIC DIAGRAMS (9/12)



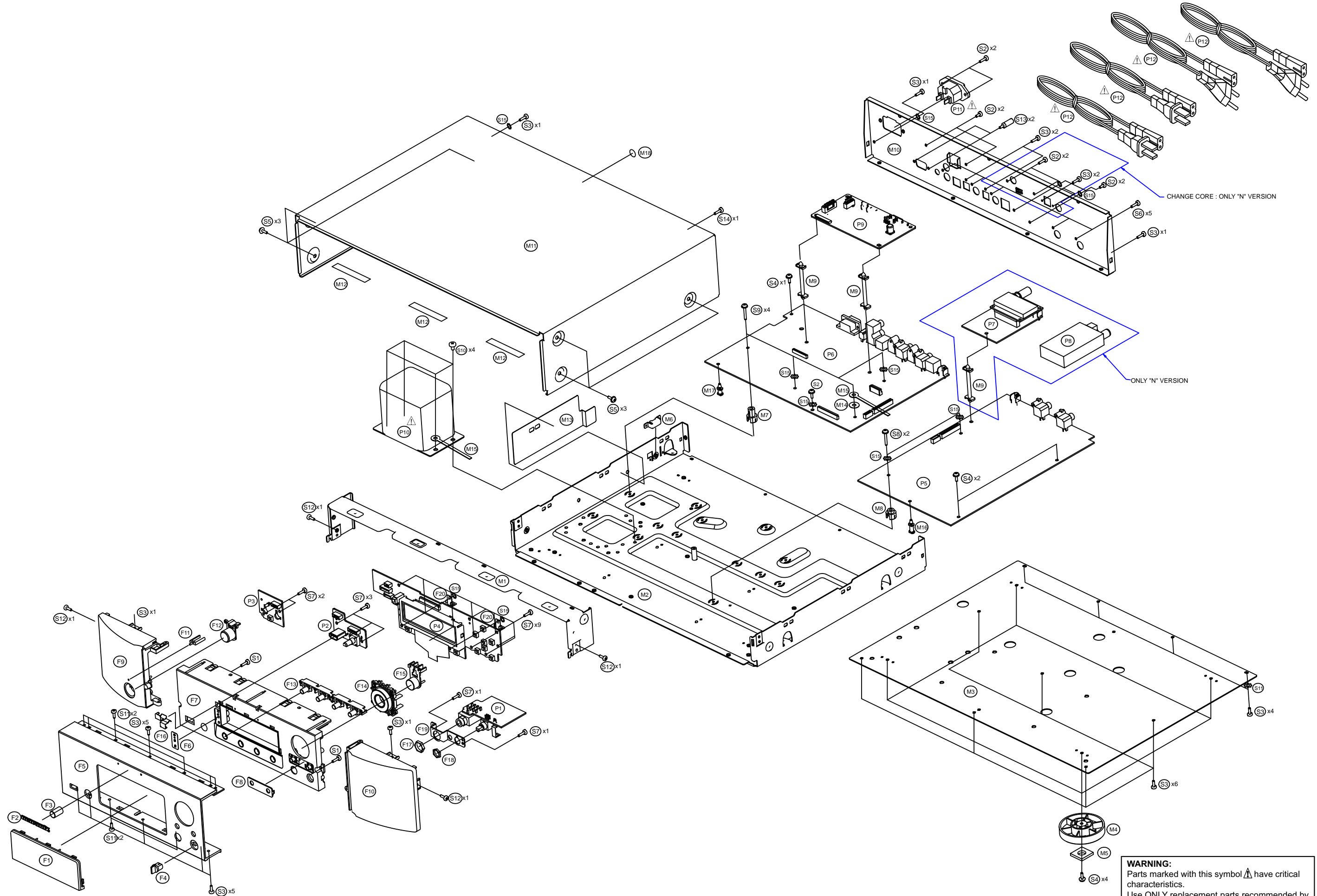
— GND
 — POWER +
 — POWER -






SCHEMATIC DIAGRAMS (12/12)

EXPLODED VIEW



WARNING:
 Parts marked with this symbol  have critical characteristics.
 Use ONLY replacement parts recommended by the manufacturer.

PARTS LIST OF EXPLODED VIEW

* Parts for which "nsp" is indicated on this table cannot be supplied.

* P.W.B. ASS'Y for which "nsp" is indicated on this table cannot be supplied. When repairing the P.W.B. ASS'Y, check the board parts table and order replacement parts.

* Part indicated with the mark "★" is not illustrated in the exploded view.

* The parts listed below are for maintenance only, might differ from the parts used in the unit in appearances or dimensions.

Note: The symbols in the column "Remarks" indicate the following destinations.

U : North America model

N : Europe model

K : China model

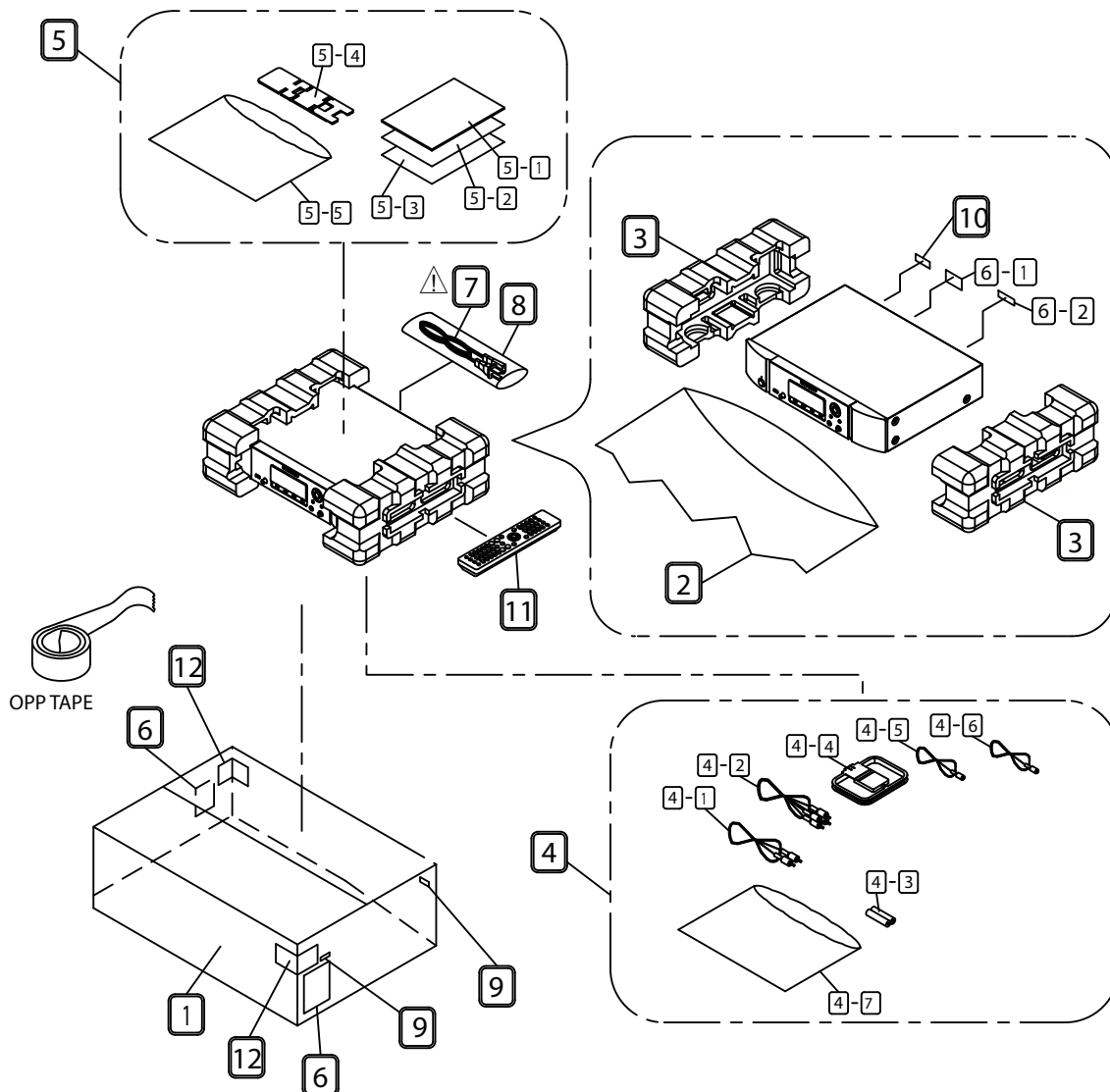
B : Black model

SG : Silver gold model

Ref. No.	Part No.	Part Name	Remarks	Q'ty	New		
P1A	nsp	AUDIO PCB UNIT ASSY	N	COP12343B	1		
P1A	nsp	AUDIO PCB UNIT ASSY	K,U,	COP12343C	1		
P1	-	PHONE PCB ASSY		-			
P5	-	AUDIO PCB ASSY		-			
P7	-	DAB PCB ASSY	N	-			
P2A	nsp	MAIN PCB UNIT ASS'Y	N	COP12342B	1		
P2A	nsp	MAIN PCB UNIT ASS'Y	K	COP12342D	1		
P2A	nsp	MAIN PCB UNIT ASS'Y	U	COP12342E	1		
P2	-	USB PCB ASSY		-			
P3	-	STANDBY PCB ASSY		-			
P4	-	DISPLAY PCB ASSY		-			
P6	-	MAIN PCB ASSY		-			
P8	943183009250S	MODULE , TUNER (EUR)	N	CNVMT104MS1-80A	1		
P9	8R1821000200S	ETHER MAC PCB ASS'Y		COP12318B	1		
△	P10	943101011080M	TRANS , POWER(EUROPE)	N	CLT5O001ZE	1	*
△	P10	943101011110M	TRANS , POWER(CHINA)	K	CLT5O001ZH	1	*
△	P10	943101011090M	TRANS , POWER(USA)	U	CLT5O001ZU	1	*
△	P11	00MYJ04002640	RECEPTACLE , AC(15A/250V,R-301,B21)		CJJ8A006ZW	1	
△	P12	90M-ZC000320R	CORD , POWER(DETACHABLE/EUR)	N	CJA2B054Z	1	
△	P12	90M-ZC000650R	CORD , POWER	K	CJA2N075Z	1	
△	P12	90M-ZC000310R	CORD , POWER(PLUG+SOCKET)UL	U	CJA2A070Z	1	
F1	943416011990M	WINDOW		CGU1A465A32Z	1	*	
F2	421410006004M	BADGE , MARANTZ		CGB1A206	1		
F3	943412012000M	KNOB , ROTARY	B	CBN1A253	1	*	
F3	943412012010M	KNOB , ROTARY	SG	CBN1A253RMD10	1	*	
F4	943411007050M	KNOB , LEVEL	B	CBN1A170B37	1		
F4	00M24AW154120	KNOB , LEVEL	SG	CBN1A170RMD10	1		
F5	943402011040M	PANEL , AL FRONT	N1B	CKM1A238WC23	1	*	
F5	943402011060M	PANEL , AL FRONT	U1B,K1B	CKM1A238YC23	1	*	
F5	943402011050M	PANEL , AL FRONT	N1SG	CKM1A238XC62	1	*	
F6	nsp	SHEET , LED			1	*	
F7	943409012020M	PANEL , SUB	B	CGW1A508B37	1	*	
F7	943409012030M	PANEL , SUB	SG	CGW1A508RMZD10	1	*	
F8	nsp	GUIDE , BUTTON	B	CGW1A508B37-A	1	*	
F8	nsp	GUIDE , BUTTON	SG	CGW1A508RMZD10-A	1	*	
F9	402510115005M	PANEL , SIDE L	B	CGW2A463RNVB37	1		
F9	402510115036M	PANEL , SIDE L	SG	CGW2A463ROUD10	1		
F10	943402012040M	PANEL , SIDE R	B	CGW2A464RNB37	1	*	
F10	943402012050M	PANEL , SIDE R	SG	CGW2A464ROD10	1	*	
F11	481510003006M	INDICATOR , POWER		CGL1A274	1		
F12	411510015017M	KNOB , POWER	B	CBT1A1072	1		
F12	411510021036M	KNOB , POWER	SG	CBT1A1072RMD10	1		
F13	943411012060M	BUTTON , PLAY	B	CBT1A1149	1	*	
F13	943411012070M	BUTTON , PLAY	SG	CBT1A1149RMD10	1	*	
F14	943411012080M	BUTTON , CURSOR	B	CBT1A1151Y	1	*	
F14	943411012090M	BUTTON , CURSOR	SG	CBT1A1151RMZD10	1	*	

Ref. No.	Part No.	Part Name	Remarks	Q'ty	New	
F15	943411012100M	BUTTON , ENTER	B	CBT1A1150Y	1	*
F15	943411012110M	BUTTON , ENTER	SG	CBT1A1150RMZD10	1	*
F16	nsp	PLATE , USB EARTH		CMC1A417	1	*
F17	nsp	NUT , PHONE		CNE1A013	1	
F18	nsp	NUT		-	1	
F19	nsp	BRACKET , PHONE		CMD1A677	1	
F20	nsp	PLATE , EARTH		CMC1A411	2	
M1	nsp	FRAME , FRONT		CUF2A004	1	
M2	nsp	CHASSIS , BOTTOM		CUA3A289	1	*
M3	nsp	PLATE , BOTTOM		CUA1A325	1	*
M4	00M243W057210	FOOT , FRONT		CKL2A042H46	4	
M5	00M32CW107010	CUSHION , FOOT		CHG1A360	4	
M6	nsp	COVER , SCREW		CMD1A495	1	
M7	nsp	HOLDER , PCB		CHE2A030	4	
M8	nsp	HOLDER , PCB		CHE170	2	
M9	nsp	SUPPORT , PCB	N	CRE1A074	3	
M9	nsp	SUPPORT , PCB	K,U	CRE1A074	2	
M10	nsp	PANEL , REAR	N	CKF1A441Z	1	*
M10	nsp	PANEL , REAR	K	CKF2A441W	1	*
M10	nsp	PANEL , REAR	U	CKF2A441Y	1	*
M11	401310003002M	CABINET , TOP	B	CKC2A187K117	1	
M11	401310003033M	CABINET , TOP	SG	CKC2A187D11	1	
M12	nsp	TAPE , HEMELON		CHS1A032	3	
M13	nsp	SHEET , PROTECT		CMX1A288	1	
M14	nsp	WASHER , POLY(10*3.2*0.3)		CNW1A033	1	
M15	nsp	CLAMPER , WIRE		CHE36-3	2	
M16	nsp	SUPPORT , PCB(DCBS-9)		CRE1A099	1	
M17	nsp	SUPPORT , PCB(DCBS-12)		CRE1A100	1	
M18	nsp	SHEET , SCREW		CGX1A439	1	
★ 1	943606012120S	CABLE , CARD (1.25MM, 11P, 250MM, A TYPE)		CWC4F4A11B250A08	1	
★ 2	943606012130S	CABLE , CARD(1.0MM, 23P, 180MM, B TYPE)		CWC4F4A23A180B08	1	
★ 3	943606012140S	CABLE , CARD(1.0MM, 30P, 250MM, B TYPE)		CWC4F4A30A250B08	1	
★ 4	nsp	2P WIRE ASS'Y(100MM)		CWZPM5003TV91A	1	
SCREWS						
S1	nsp	SCREW		CTB3+8JR	2	
S2	nsp	SCREW	N	CTB3+6FFB	11	
S2	nsp	SCREW	K,U	CTB3+6FFB	7	
S3	nsp	SCREW		CTB3+8JFB	27	
S4	nsp	SCREW		CTW3+8JR	7	
S5	nsp	SCREW	B	CTW3+8JFZR	6	
S5	nsp	SCREW	SG	CTW3+8JFC	6	
S6	nsp	SCREW		CTB3+10JFB	7	
S7	nsp	SCREW		CTB3+10JR	16	
S8	nsp	SCREW		CTW3+12JR	2	
S9	nsp	SCREW		CTW3+18JR	4	
S10	nsp	SCREW		CTB4+6FR	4	
S11	nsp	SCREW , DOT		CTBD3+8JFB	4	
S12	nsp	SCREW		CTB3+6JR	4	
S13	nsp	SCREW		-	2	
S14	nsp	SCREW		CTW3+8JFR	1	
S15	nsp	WASHER , GROUND		CNW1A035	12	

PACKING VIEW



PARTS LIST OF PACKING & ACCESSORIES

* Parts for which "nsp" is indicated on this table cannot be supplied.

* The parts listed below are for maintenance only, might differ from the parts used in the unit in appearances or dimensions.

* Part indicated with the mark "★" is not illustrated in the exploded view.

Note: The symbols in the column "Remarks" indicate the following destinations.

U : North America model
B : Black model

N : Europe model
SG : Silver gold model

K : China model

Ref. No.	Part No.	Part Name	Remarks	Q'ty	New
1	531210164007M	BOX , OUT CARTON		1	*
2	nsp	BAG, POLY(SET)		1	
3	943533002300M	PAD, SNOW		2	
4	nsp	ACCESSORIES ASSY			
4-1	90M-ZD000440R	CORD, PIN(1P)		1	
4-2	90M-ZD000510R	CORD, PIN(2P)		1	
4-3	nsp	BATTERY, AAA		2	
4-4	90M-ZA000240R	ANT, AL LOOP	N	1	
4-5	90M-ZA000220R	FM 1 POLE ANT	N	1	
4-6	943429007990S	ANT, DAB	N	1	
4-7	nsp	BAG, POLY(MANUAL)		1	
5	nsp	MANUAL ASSY			
5-1	541110516002M	MANUAL, INSTRUCTION	N	1	*

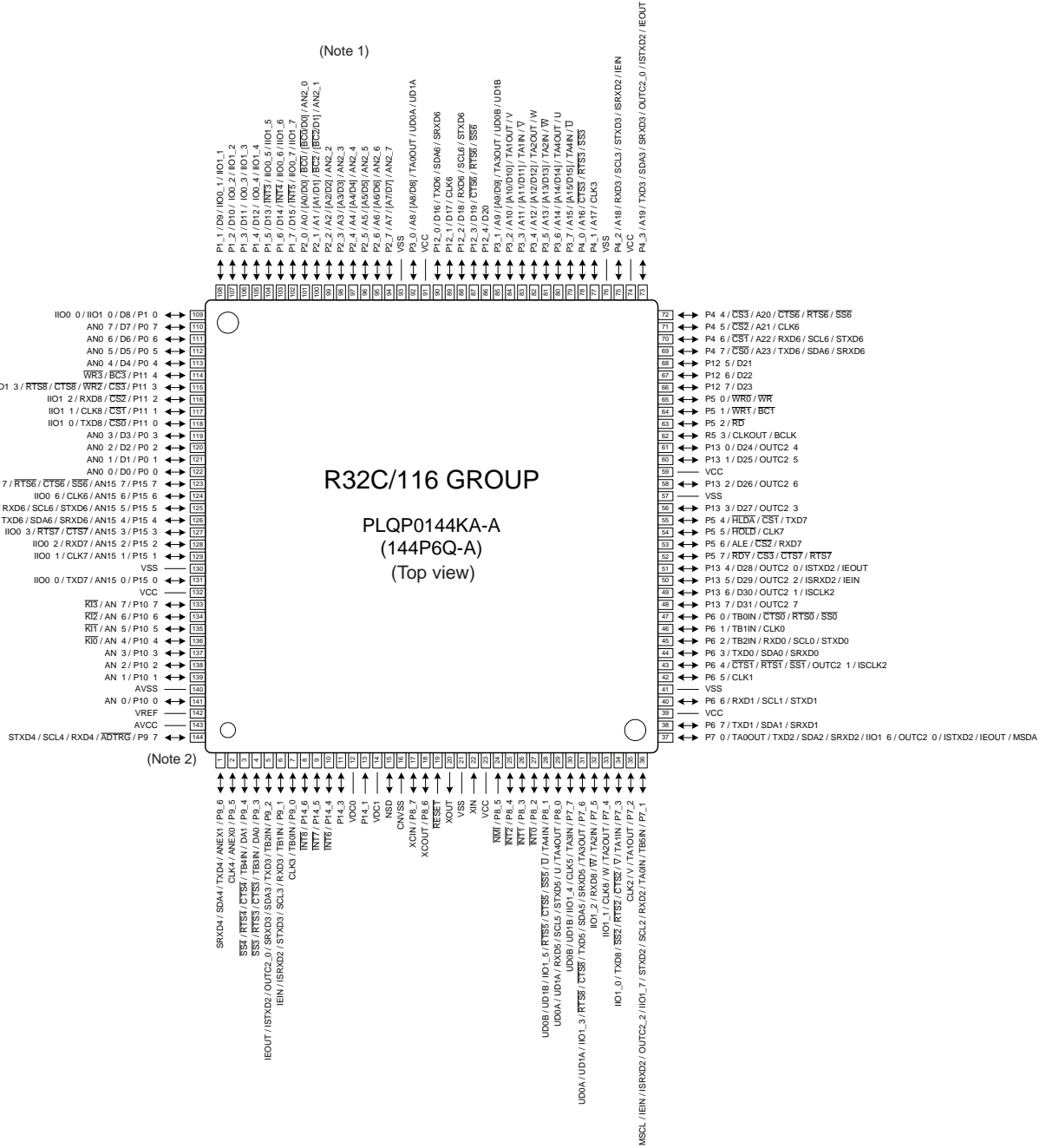
	Ref. No.	Part No.	Part Name	Remarks		Q'ty	New
	5-1	541110518008M	MANUAL, INSTRUCTION	K	CQX1A1573Z	1	*
	5-1	541110515009M	MANUAL, INSTRUCTION	U	CQX1A1574Z	1	*
	5-2	nsp	CARD FOR CHINA IDENTIFICATION	K	CQE1A450Z	1	
	5-2	nsp	CARD , WARRANTY	U	CQE1A131W	1	
	5-3	nsp	WARRANTY CARD CHINA	K	CQE1A449Z	1	
	5-3	nsp	WARRANTY CANADA	U	CQE1A132V	1	
	5-4	nsp	IPOD STAND ASS'Y		CMH1A310ZA	1	
	5-5	nsp	BAG, POLY(MANUAL)		CPB1A197Z	1	
	6	nsp	LABEL, CONTROL		CQB1A993Z	1	
	6-1	nsp	LABEL, BAR CODE		CQB1A993Z-1	1	
	6-2	nsp	LABEL, PRODUCTION YEAR	K, U	CQB1A993Z-2	1	
⚠	7	90M-ZC000320R	CORD, POWER	N	CJA2B054Z	1	
⚠	7	90M-ZC000650R	CORD, POWER	K	CJA2N075Z	1	
⚠	7	90M-ZC000310R	CORD, POWER	U	CJA2A070Z	1	
	8	nsp	BAG, POLY		CPB1A008Z	1	
	9	nsp	LABEL, LAST FM		CQB1A1025Z	1	
	10	nsp	LABEL, MAC ADRESS		CQB1A995	2	
	11	307010081004M	REMOCON TRANSMITTER ASS'Y		CARTNA7004	1	*
	12	nsp	LABEL, WHITE M1	SG	CQB1A908Z	2	

SEMICONDUCTORS

Only major semiconductors are shown, general semiconductors etc. are omitted to list.
The semiconductor which described a detailed drawing in a schematic diagram are omitted to list.

1. IC's

R5F64169DFD (MAIN : IC31, DISPLAY : IC81)



Notes:

1. Pin names in brackets [] represent a functional signal as a whole and should not be considered as two separate pins.
2. The position of pin number 1 varies by product. Refer to the index mark in attached "Package Dimensions".

R5F64169DFD (MAIN : IC31) Terminal Function

Pin	Pin Name	Port Name	PD/PU	I/O	STANDBY MODE			NOTE
					STANDBY	Network STANDBY	232C STANDBY	
1	P96/(TXD4)	UART_MOSI	-	O	O/L	O/L	O/L	Transfer Data for Display ucom at Updating
2	(P95)/CLK4	EL_RESET	PD	O	O/L	O/L	O/L	Reset for Display ucom
3	P94/(CTS4)	YOBI	-	-	-	-	-	Not Use
4	P93/(CTS3)	EL_CS	-	O	O/L	O/L	O/L	Chip Select of Display Data for Display ucom
5	P92/TXD3	EL_MOSI	-	O	O/L	O/L	O/L	Display Data for Display ucom
6	P91/RXD3	EL_MISO	PD	I	I	I	I	Display Data from Display ucom
7	P90/(CLK3)	EL_CLK	-	O	O/L	O/L	O/L	Clock of Display Data for Display ucom
8	(P146)/INT8	RDS_CLK	PD	I	I	I	I	RDS Clock input(interrupt)
9	P145/INT7	P_DOWN	PU	I	I	I	I	Power Down Detect
10	P144/INT6	NC	-	O	O/L	O/L	O/L	NC
11	P143	NC	-	O	O/L	O/L	O/L	NC
12	VDC0	VDC0	-	-	-	-	-	Smoothing capacitor connection terminal
13	P141 (INPUT ONLY)	CHECK-1	PD	I	I	I	I	NC
14	VDC1	VDC1	-	-	-	-	-	Smoothing capacitor connection terminal
15	NSD	NSD_M	PU	-	-	-	-	Emulator communication pin
16	CNVSS	CNVSS	PD	-	-	-	-	Single-chip / Micro-processor mode switching (Normal single-chip : L, Rewrite boot program start : H input set)
17	P87/(XCIN)	DC_PROTECT1	PU	I	I	I	I	Power Protection Detect for USB
18	P86/(XCOUT)	CHECK-2	PD	-	-	-	-	NC
19	RESET	RESET	PU	-	-	-	-	Reset
20	XOUT	X2	-	-	-	-	-	Clock(Output)
21	VSS	VSS	-	-	-	-	-	GND
22	XIN	X1	-	-	-	-	-	Clock(Input)
23	VCC	VCC1	-	-	-	-	-	+3V
24	P85/NMI	NMI	H	O	O/L	O/L	O/L	NC
25	P84/INT2	NC	-	O	O/L	O/L	O/L	NC
26	P83/INT1	E_REQ	PD	I	I	I	I	DM870/860 Interrupt
27	P82/INT0	RC_IN	PU	I	I	I	I	IR Interrupt
28	P81	CHECK-3	PD	-	-	-	-	NC
29	P80/RXD5	/E_SPICS	PU	O	O/L	O/L	O/L	DM870/860 SCI Chip Select
30	(P77)/CLK5	TU_SCL	PU	O	O/L	O/L	O/L	Clock for TUNER (I2C)
31	(P76)/TXD5	TU_SDA	PU	O	O/L	O/L	O/L	Data for TUNER (I2C)
32	P75/RXD8	E_SPIMIEO	PU	I	I	I	I	Data from ETHERNET (SPI)
33	P74/CLK8	E_SPICLK	PU	O	O/L	O/L	O/L	Clock for ETHERNET (SPI)
34	P73/TXD8	E_SPIMOEI	PU	O	O/L	O/L	O/L	Data for ETHERNET (SPI)
35	P72/CLK2	/E_RESET	PU	O	O/L	O/L	O/L	DM870/860 Reset
36	P71/RXD2/ (MSCL)	DAB_DO	-	SI	I	I	I	Data from DAB (TX)
37	P70/TXD2/ (MSDA)	DAB_DI	-	SO	O/L	O/L	O/L	Data for DAB (RX)
38	P67/TXD1	TXD/232CMO	-	SO	O/L	O/L	O/L	Data transfer to external terminal(AMX)/MITSUBISHI writer
39	VCC	VCC1	-	-	-	-	-	+3V
40	P66/RXD1	RXD/232CMI	PD	SI	O/L	I	O/L	Data received from the external terminal(AMX)/MITSUBISHI writer
41	VSS	VSS	-	-	-	-	-	GND
42	P65/CLK1 /SCLK(L)	SCLK_M	PD	O	O/L	O/L	O/L	Writing Mode Select
43	P64/BUSY	BUSY_M /STEREO	-	I	I	I	I	STREO Indicator input/BUSY at Updating
44	P63/TXD0	E_RXDMOEI	PU	SO	O/L	O/L	O/L	Network Serial Data Output DM870/860 RXD)
45	P62/RXD0	E_TXDMIEO	PU	SI	O/L	I	O/L	Network Serial Data Input (DM870/860 TXD)
46	P61/CLK0	NC	-	O	O/L	O/L	O/L	NC
47	P60/CTS0	OPT/COAX	PU	SO	O/L	O/L	O/L	Digital In Select
48	P137	NC	-	O	O/L	O/L	O/L	NC
49	P136/ISCLK2	OLED_BOOT	PD	O	O/L	O/L	O/L	Boot for Display ucom
50	P135/ISRXD2	OLED_CPU_POWER	PD	O	O/L	O/L	O/L	Power Control for Display ucom
51	P134/ISTXD2	E_POWER_CONT	PD	O	O/L	O/H	O/L	Power Control for DM870/860
52	P57/RDY	RDY	PU	I	I	I	I	NC
53	P56/ALE	ALE	PD	O	O/L	O/L	O/L	NC
54	P55/HOLD /EPM	EPM_M	PU	I	I	I	I	Rewrite boot program start : L input set
55	P54/HLDA	TU_POWER	PD	O	O/L	O/L	O/L	Power Control for TUNER
56	P133	NC	-	O	O/L	O/L	O/L	NC
57	VSS	VSS	-	-	-	-	-	GND

Pin	Pin Name	Port Name	PD/PU	I/O	STANDBY MODE			NOTE
					STANDBY	Network STANDBY	232C STANDBY	
58	P132	NC	-	O	O/L	O/L	O/L	NC
59	VCC	VCC2	-	-	-	-	-	+3V
60	P131	TUNED	PU	I	I	I	I	Tuned
61	P130	T.MUTE	PD	O	O/L	O/L	O/L	Mute for TUNER
62	P53/BCLK	DAB-P_CONT	PD	O	O/L	O/L	O/L	Power Control for DAB
63	P52/RD	CHECK-4	PD	I	I	I	I	NC
64	P51/(WR1)/BC1	VBUS_MONI	PD	O	O/L	O/L	O/L	USB Data Output Enable RCD-N7)
65	P50/(WR0)/WR/CE	CE_M	PD	I	I	I	I	Rewrite boot program start : H input set
66	P127	NC	-	O	O/L	O/L	O/L	NC
67	P126	NC	-	O	O/L	O/L	O/L	NC
68	P125	AUTO_STB	PU	I	I	I	I	DAC OUTPUT Zero Detect
69	P47/CS0/(A23)	/F_MUTE	PD	O	O/L	O/L	O/L	TAS5508 Soft mute of outputs
70	P46/(CS1)/A22	DAC_SCL	PU	I/O	I	I	I	DAC Control (SCL)
71	P45/(CS2)/A21	DAC_SDA	PU	I/O	I	I	I	DAC Control (SDA)
72	P44/(CS3)/A20	DSPFLAG1	PD	O	O/L	O/L	O/L	Not Used
73	P43/A19	USB_P.CONT	PD	O	O/L	O/L	O/L	USB Power Control
74	VCC	VCC	-	-	-	-	-	+3V
75	P42/A18	DSPFLAG0	PD	I	O/L	O/L	O/L	DSP Control (Flag Detect)
76	VSS	VSS	-	-	-	-	-	GND
77	P41/A17	KILL_IR	PU	O	O/H	O/H	O/H	Control terminal for Front IR Disable
78	P40/A16	232CPOWER	PD	O	O/L	O/L	O/H	RS-232C Power Control
79	P37/A15	DSPICS	PU	O	O/L	O/L	O/L	DSP Control (CS)
80	P36/A14	POWER_ON/OFF	PD	O	O/L	O/L	O/L	ON/STANDBY Control H:ON/L:STANDBY
81	P35/A13	DSPROMRST	PD	O	O/L	O/L	O/L	DSP Control (DSP ROM RESET)
82	P34/A12	DSPRST	PD	O	O/L	O/L	O/L	DSP Control (DSP RESET)
83	P33/A11	DSPWR	-	O	O/L	O/L	O/L	Not Used
84	P32/A10	MX_DETECT	PU	I	I	I	I	M-XPort Detection
85	P31/A9	NC	-	O	O/L	O/L	O/L	NC
86	P124	NC	-	O	O/L	O/L	O/L	NC
87	P123	4683_VOUT	-	O	O/L	O/L	O/L	AK4683 VOUT Monitor
88	P122/(RXD6)	E2PROMSCL	PU	O	O/L	O/L	O/L	Serial Clock for EEPROM
89	P121/(CLK6)	E2PROMSDA	PU	I/O	O/L	O/L	O/L	Serial Data for EEPROM
90	P120/(TXD6)	NC	-	O	O/L	O/L	O/L	NC
91	VCC	VCC	-	-	-	-	-	+3V
92	P30/A8	4683_I2C_CONT	GND	O	O/L	O/L	O/L	AK4683 Communication format Select
93	VSS	VSS	-	-	-	-	-	GND
94	P27/A7	LED_CONT1	PD	O	O/L	O/H	O/L	LED Control1
95	P26/A6	LED_CONT2	PD	O	O/H	O/H	O/H	LED Control2
96	P25/A5	LED_CONT3	PD	O	O/L	O/L	O/L	LED Control (D-OUT)
97	P24/A4	NC	-	O	O/L	O/L	O/L	NC
98	P23/A3	SMPS_ON/OFF	PD	O	O/L	O/L	O/L	SMPS ON/OFF Control
99	P22/A2	NC	-	O	O/L	O/L	O/L	NC
100	P21/A1	NC	-	O	O/L	O/L	O/L	NC
101	P20/A0	5VCPU_ON/OFF	PD	O	O/H	O/H	O/H	5V Control
102	P17/D15	/4683_RESET	PD	O	O/L	O/L	O/L	AK4683 Reset Signal
103	P16/D14	4683_CDTO	-	I	I	I	I	AK4683 SCI Data Input
104	P15/D13	4683_INT	-	I	I	I	I	AK4683 Request Signal
105	P14/D12	4683_CDTI	-	O	O/L	O/L	O/L	AK4683 SCI Data Output
106	P13/D11	4683_CCLK	-	O	O/L	O/L	O/L	AK4683 SCI Clock
107	P12/D10	4683_CSN	-	O	O/H	O/H	O/H	AK4683 Chip Enable Signal
108	P11/D9	FAULT_FLAG1	PU	I	I	I	I	USB1 VBUS Current Limit Signal
109	P10/D8	ISEL_A	PU	I	I	I	I	INPUT JOG SIGNAL IN-A
110	P07/D7	HVBUS_CTL1	PD	O	O/L	O/L	O/L	USB1 VBUS Control
111	P06/D6	PLAY/PAUSE	-	O	O/L	O/L	O/L	Not Used
112	P05/D5	NEXT	-	O	O/L	O/L	O/L	Not Used
113	P04/D4	SUSPEND	PD	I	I	I	I	USB DAC Connection Check
114	P114	NC	-	O	O/L	O/L	O/L	NC
115	P113	ISEL_B	PU	I	I	I	I	INPUT JOG SIGNAL IN-B
116	P112/(RXD8)	RDS_DATA	PD	I	I	I	I	RDS DATA for Eur Version

Pin	Pin Name	Port Name	PD/PU	I/O	STANDBY MODE			NOTE
					STANDBY	Network STANDBY	232C STANDBY	
117	P111/	NC	-	O	O/L	O/L	O/L	NC
118	P110/(TXD8)	NC	-	O	O/L	O/L	O/L	NC
119	P03/D3	DC_PROTECT2	PU	I	I	I	I	Power Down Detect
120	P02/D2	USB_RES	PU	O	O/L	O/L	O/L	USB DAC Control (RESET)
121	P01/D1	PREVIOUS	-	O	O/L	O/L	O/L	Not Used
122	P00/D0	STOP	-	O	O/L	O/L	O/L	Not Used
123	P157	DAC_RES	PD	O	O/L	O/L	O/L	DAC Control (RESET)
124	P156	DSPICLK	PU	O	O/L	O/L	O/L	DSP Control (CLK)
125	P155/RXD6	DSPMISO	PU	I	O/L	O/L	O/L	DSP Control (DATA_I)
126	P154/TXD6	DSPMOSI	PU	O	O/L	O/L	O/L	DSP Control (DATA_O)
127	P153	LED_CONT4	PD	O	O/L	O/L	O/L	LED Control (DISPLAY)
128	P152/RXD7	LED_CONT5	PD	O	O/L	O/L	O/L	LED Control (M-DAX)
129	P151/(CLK7)	NC	-	O	O/L	O/L	O/L	NC
130	VSS	VSS	-	-	-	-	-	GND
131	P150/TXD7	NC	-	O	O/L	O/L	O/L	NC
132	VCC	VCC	-	-	-	-	-	+3V
133	P107/(AN7) /(KI3)	NC	-	O	O/L	O/L	O/L	NC
134	P106/AN6/ KI2	KEY3	PU	I	I	I	I	Key Input3
135	P105/AN5 /KI1	KEY2	PU	I	I	I	I	Key Input2
136	P104/AN4 /KI0	KEY1	PU	I	I	I	I	Key Input1
137	P103/AN3	NC	-	O	O/L	O/L	O/L	NC
138	P102/AN2	P.DET	-	I	I	I	I	Not Used
139	P101/(AN1)	MODEL_1	PU	I	I	I	I	Version Select
140	AVSS	AVSS	-	-	-	-	-	GND
141	P100/AN0	MODEL_2	PU	I	I	I	I	Model Select
142	VREF	VREF	-	-	-	-	-	+3V
143	AVCC	AVCC	-	-	-	-	-	+3V
144	(P97)/RXD4	UART_MISO	-	I	I	I	I	Receive Data for Display ucom at Updating

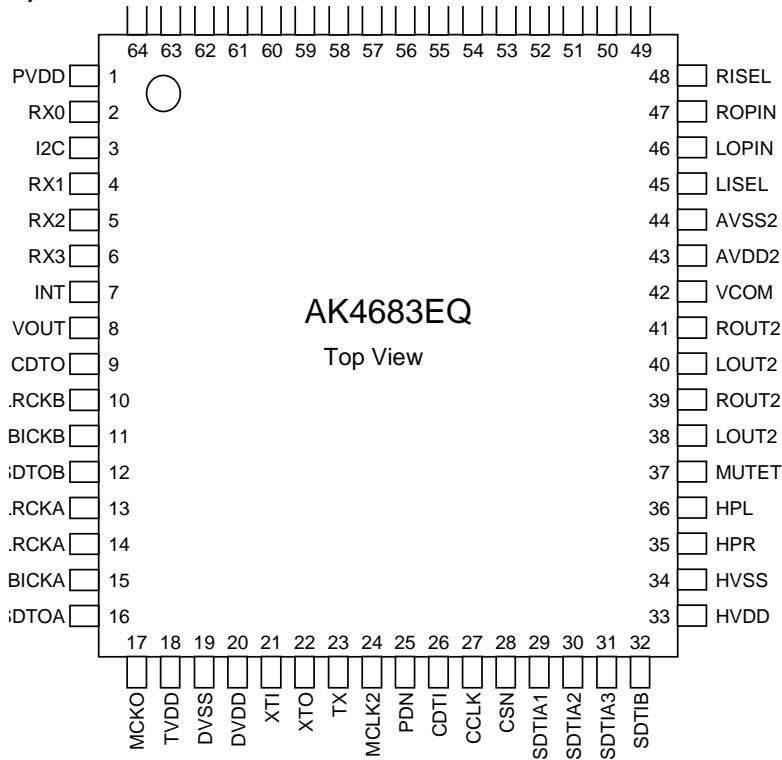
R5F64169DFD (DISPLAY : IC81) Terminal Function

Pin No	Port Name	Symbol	I/O	Pull-U/D	Note
1	P96/(TXD4)	NC	O	PD(OPEN)	NC
2	(P95)/CLK4	NC	O	-	NC
3	P94/(CTS4)	NC	O	-	NC
4	P93/(CTS3)	NC	O	-	NC
5	P92/TXD3	NC	O	-	NC
6	P91/RXD3	NC	O	-	NC
7	P90/(CLK3)	NC	O	-	NC
8	(P146)/INT8	NC	O	-	NC
9	P145/INT7	NC	O	-	NC
10	P144/INT6	NC	O	-	NC
11	P143	NC	O	-	NC
12	VDC0	VDC0	-	-	Smoothing capacitor connection terminal
13	P141(INPUT ONLY)	NC	I	PD	NC
14	VDC1	VDC1	-	-	Smoothing capacitor connection terminal
15	NSD	NSD	-	PU	Emulator communication pin
16	CNVSS(INPUT ONLY)	CNVSS	I	PD	Single-chip / Micro-processor mode switching (Normal single-chip : L, Rewrite boot program start : H input set)
17	P87/(XCIN)	NC	O	-	NC
18	P86/(XCOUT)	NC	I	PD	NC
19	RESET	OLED_RESET	I	PU	Reset input(Reset ="L")
20	XOUT	X2	-	-	Clock output
21	VSS	VSS	-	-	GND
22	XIN	X1	-	-	Clock input
23	VCC	VCC1	-	-	+3V
24	P85/NMI	NMI	I	PU	NC
25	P84/INT2	NC	O	-	NC
26	P83/INT1	YOBI	O	-	Not use
27	P82/INT0	OLED_CS	O	-	Chip Select of Display Data for Display ucom
28	P81	NC	I	PD	NC
29	P80/RXD5	BOOT	I	PD	Boot signal
30	(P77)/CLK5	NC	O	-	NC
31	(P76)/TXD5	NC	O	-	NC
32	P75/RXD8	OLED_POWER	O	PD	OLED Power On/Off
33	P74/CLK8	NC	O	-	NC
34	P73/TXD8	NC	O	-	NC
35	P72/CLK2	OLED_CLK	O	-	Clock of Display Data for Display ucom
36	P71/RXD2/(MSCL)	OLED_TX	O	-	Display Data for Display ucom
37	P70/TXD2/(MSDA)	OLED_RX	O	-	Not use
38	P67/TXD1	TXD_CO	O	PD	Data transfer to external terminal(AMX)/MITSUBISHI writer
39	VCC	VCC1	-	-	+3V
40	P66/RXD1	RXD_CO	I	PD	Data received from the external terminal(AMX)/MITSUBISHI writer
41	VSS	VSS	-	-	GND
42	P65/CLK1/SCLK(L)	SCLK_CO	O	PD	Writing Mode Select
43	P64/BUSY	BUSY_CO	O	-	BUSY Output at updating
44	P63/TXD0	OLED_UART_RX	O	-	Transfer Data for Display ucom at Updating
45	P62/RXD0	OLED_UART_TX	I	-	Receive Data for Display ucom at Updating
46	P61/CLK0	NC	O	-	NC
47	P60/CTS0	NC	O	-	NC
48	P137	D7	O	-	Data Bus for OLED
49	P136/ISCLK2	D6	O	-	Data Bus for OLED
50	P135/ISRXD2	D5	O	-	Data Bus for OLED
51	P134/ISTXD2	D4	O	-	Data Bus for OLED
52	P57/RDY	NC	O	-	NC
53	P56/ALE	NC	O	-	NC
54	P55/HOLD/EPM	EPM	I	PU	Rewrite boot program start : L input set
55	P54/HLDA	NC	O	-	NC
56	P133	D3	O	-	Data Bus for OLED
57	VSS	VSS	-	-	GND
58	P132	D2	O	-	Data Bus for OLED
59	VCC	VCC2	-	-	+3V
60	P131	D1	O	-	Data Bus for OLED
61	P130	D0	O	-	Data Bus for OLED
62	P53/BCLK	NC	O	-	NC
63	P52/RD	NC	I	PD	NC
64	P51/(WR1)/BC1	NC	O	-	NC

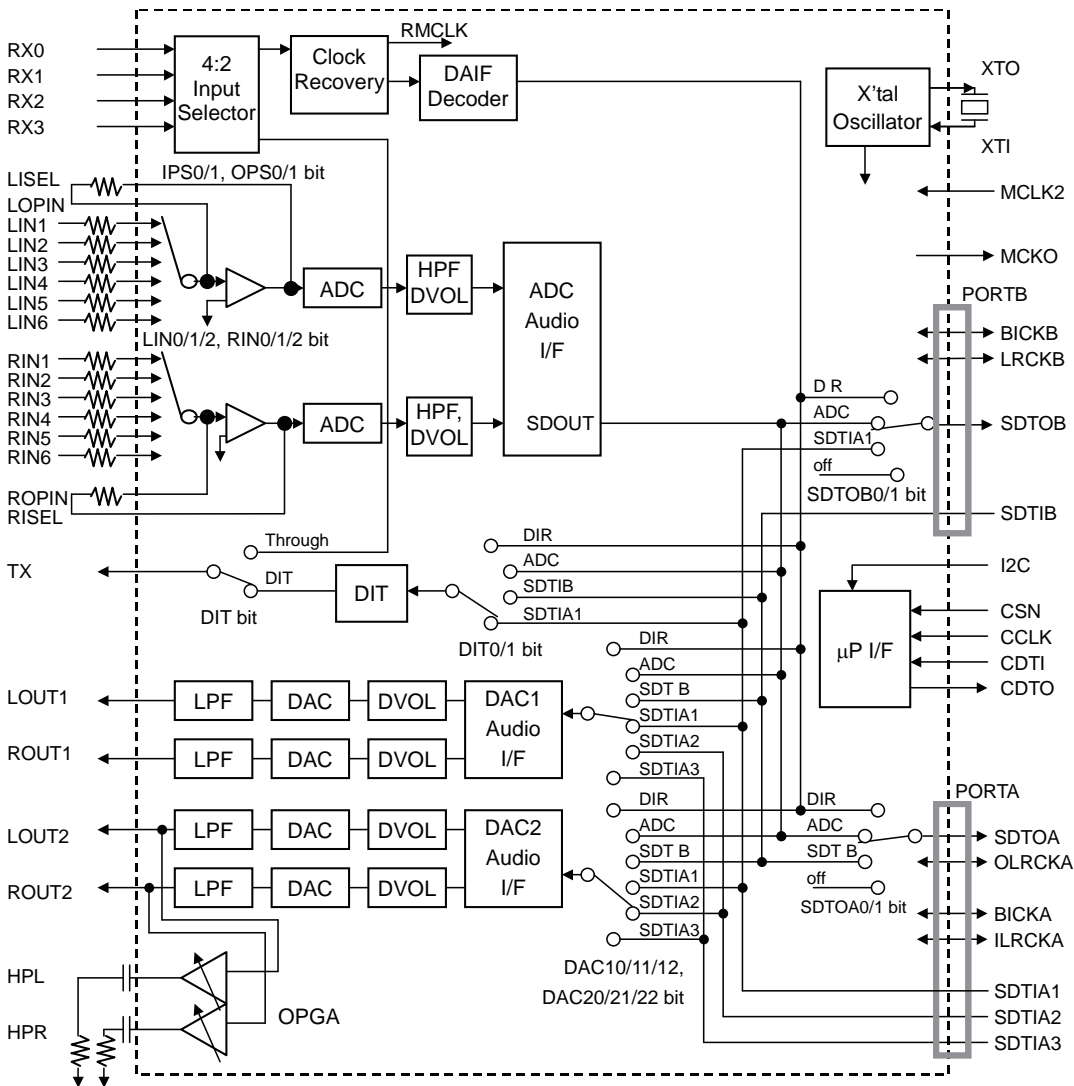
Pin No	Port Name	Symbol	I/O	Pull-U/D	Note
65	P50/(WR0)/WR/CE	CE_M	I	PD	Rewrite boot program start : H input set
66	P127	RES#	O	-	Reset, Active "L" for OLED
67	P126	D/C#	O	-	Data/Command Control. "H": Data, "L": Command for OLED
68	P125	CS#	O	-	Chiselect for OLED
69	P47/(CS0)/(A23)	R/W#,WR#	O	-	Write (This pin stays "L"(low) in Serial Interface Mode) for OLED
70	P46/(CS1)/A22	E,RD#	O	-	Read (This pin stays "L"(low) in Serial Interface Mode) for OLED
71	P45/(CS2)/A21	NC	O	-	NC
72	P44/(CS3)/A20	NC	O	-	NC
73	P43/A19	NC	O	-	NC
74	VCC	VCC	-	-	+3V
75	P42/A18	NC	O	-	NC
76	VSS	VSS	-	-	GND
77	P41/A17	NC	O	-	NC
78	P40/A16	NC	O	-	NC
79	P37/A15	NC	O	-	NC
80	P36/A14	NC	O	-	NC
81	P35/A13	NC	O	-	NC
82	P34/A12	NC	O	-	NC
83	P33/A11	NC	O	-	NC
84	P32/A10	NC	O	-	NC
85	P31/A9	NC	O	-	NC
86	P124	NC	O	-	NC
87	P123	NC	O	-	NC
88	P122/(RXD6)	NC	O	-	NC
89	P121/(CLK6)	NC	O	-	NC
90	P120/(TXD6)	NC	O	-	NC
91	VCC	VCC	-	-	+3V
92	P30/A8	NC	O	-	NC
93	VSS	VSS	-	-	GND
94	P27/A7	NC	O	-	NC
95	P26/A6	NC	O	-	NC
96	P25/A5	NC	O	-	NC
97	P24/A4	NC	O	-	NC
98	P23/A3	NC	O	-	NC
99	P22/A2	NC	O	-	NC
100	P21/A1	NC	O	-	NC
101	P20/A0	NC	O	-	NC
102	P17/D15	NC	O	-	NC
103	P16/D14	NC	O	-	NC
104	P15/D13	NC	O	-	NC
105	P14/D12	NC	O	-	NC
106	P13/D11	NC	O	-	NC
107	P12/D10	NC	O	-	NC
108	P11/D9	NC	O	-	NC
109	P10/D8	NC	O	-	NC
110	P07/D7	NC	O	-	NC
111	P06/D6	NC	O	-	NC
112	P05/D5	NC	O	-	NC
113	P04/D4	NC	O	-	NC
114	P114	NC	O	-	NC
115	P113	NC	O	-	NC
116	P112/(RXD8)	NC	O	-	NC
117	P111/	NC	O	-	NC
118	P110/(TXD8)	NC	O	-	NC
119	P03/D3	NC	O	-	NC
120	P02/D2	NC	O	-	NC
121	P01/D1	NC	O	-	NC
122	P00/D0	NC	O	-	NC
123	P157	NC	O	-	NC
124	P156	NC	O	-	NC
125	P155/RXD6	NC	O	-	NC
126	P154/TXD6	NC	O	-	NC
127	P153	NC	O	-	NC
128	P152/RXD7	NC	O	-	NC
129	P151/(CLK7)	NC	O	-	NC
130	VSS	VSS	-	-	GND
131	P150/TXD7	NC	O	-	NC

Pin No	Port Name	Symbol	I/O	Pull-U/D	Note
132	VCC	VCC	-	-	+3V
133	P107/(AN7)/(K13)	NC	O	-	NC
134	P106/AN6/K12	NC	O	-	NC
135	P105/AN5/K11	NC	O	-	NC
136	P104/AN4/K10	NC	O	-	NC
137	P103/AN3	NC	O	-	NC
138	P102/AN2	NC	O	-	NC
139	P101/(AN1)	NC	O	-	NC
140	AVSS	AVSS	-	-	GND
141	P100/AN0	NC	I	PD	Not use
142	VREF	VREF	-	-	+3V
143	AVCC	AVCC	-	-	+3V
144	(P97)/RXD4	NC	O	-	NC

AK4683 (MAIN : IC23)



AK4683 Block Diagram

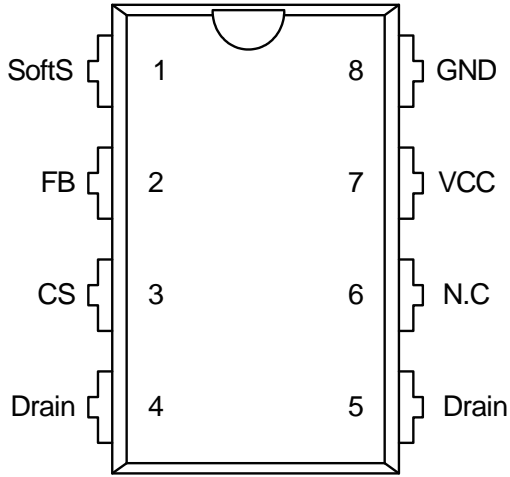


AK4683 Pin Discriptions

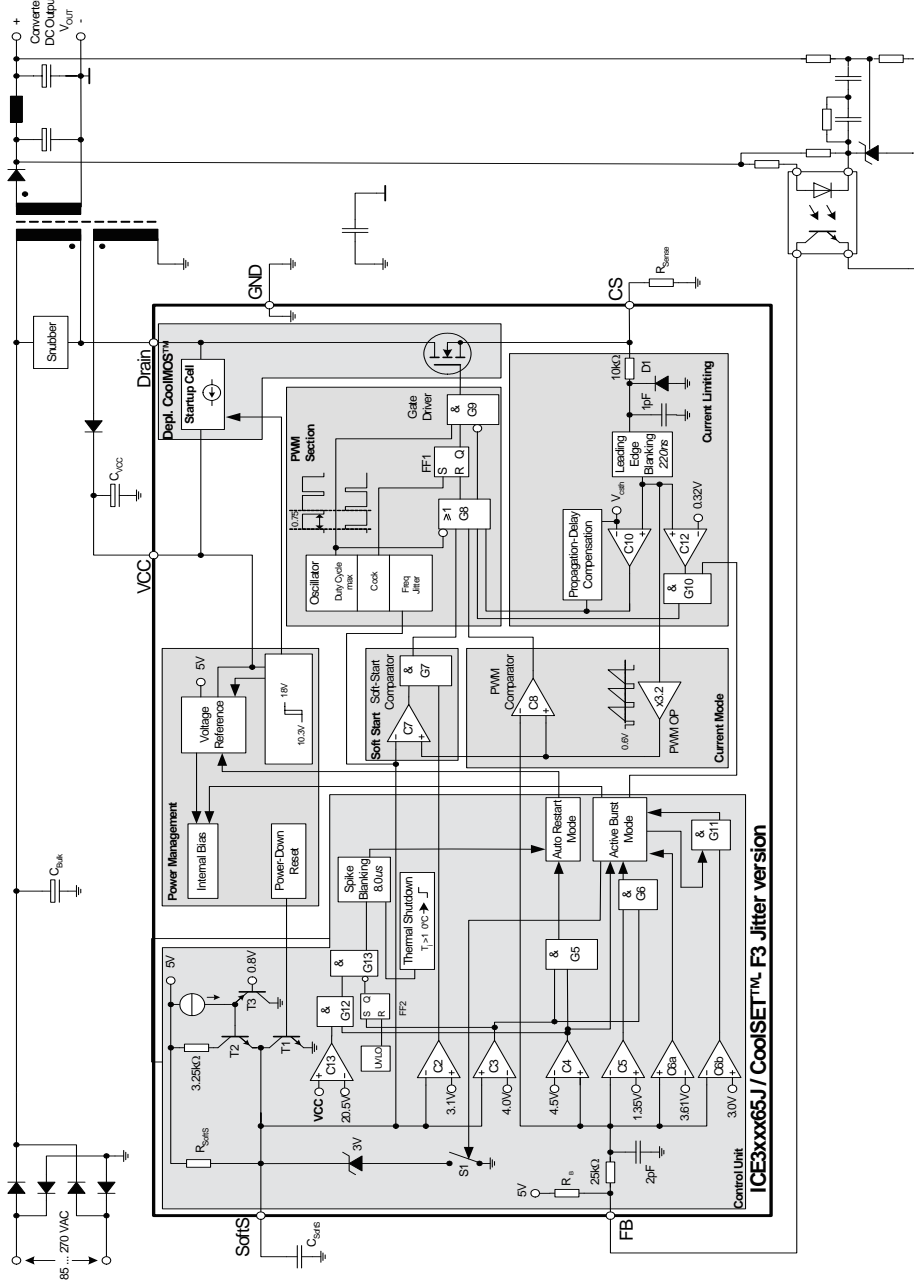
No.	Pin Name	I/O	Function
1	PVDD	-	PLL Power supply Pin, 4.5V~5.5V
2	RX0	I	Receiver Channel 0 Pin (Internal biased pin. Internally biased at PVDD/2)
3	I2C	I	Control Mode Select Pin. “L”: 4-wire Serial, “H”: I ² C Bus
4	RX1	I	Receiver Channel 1 Pin
5	RX2	I	Receiver Channel 2 Pin
6	RX3	I	Receiver Channel 3 Pin
7	INT	O	Interrupt Pin
8	VOUT	O	V-bit Output Pin for Receiver Input
	DZF	O	Zero Input Detect Pin When the input data of DAC follow total 8192 LRCK cycles with “0” input data, this pin goes to “H”. And when RSTN1 bit is “0”, PWDA bit is “0”, this pin goes to “H”.
	OVF	O	Analog Input Overflow Detect Pin This pin goes to “H” if the analog input of Lch or Rch overflows.
9	CDTO	O	Control Data Output Pin in Serial Mode and I2C pin = “L”.
10	LRCKB	I/O	Channel Clock B Pin
11	BICKB	I/O	Audio Serial Data Clock B Pin
12	SDTOB	O	Audio Serial Data Output B Pin
13	OLRCKA	I/O	Output Channel Clock A Pin
14	ILRCKA	I/O	Input Channel Clock A Pin
15	BICKA	I/O	Audio Serial Data Clock A Pin
16	SDTOA	O	Audio Serial Data Output A Pin
17	MCKO	O	Master Clock Output Pin
18	TVDD	-	Output Buffer Power Supply Pin, 2.7V~5.5V
19	DVSS	-	Digital Ground Pin, 0V
20	DVDD	-	Digital Power Supply Pin, 4.5V~5.5V
21	XTI	I	X'tal Input Pin
22	XTO	O	X'tal Output Pin
23	TX	O	Transmit Channel Output pin When DIT bit = “0”, RX0~3 Through. When DIT bit = “1”, Internal DIT Output.
24	MCLK2	I	Master Clock Input Pin
25	PDN	I	Power-Down Mode & Reset Pin When “L”, the AK4683 is powered-down, all registers are reset. And then all digital output pins go “L”. The AK4683 must be reset once upon power-up.
26	CDTI	I	Control Data Input Pin in Serial Mode and I2C pin = “L”.
	SDA	I/O	Control Data Pin in Serial Mode and I2C pin = “H”.
27	CCLK	I	Control Data Clock Pin in Serial Mode and I2C pin = “L”
	SCL	I	Control Data Clock Pin in Serial Mode and I2C pin = “H”
28	CSN	I	Chip Select Pin in Serial Mode and I2C pin = “L”.
	TEST	I	This pin should be connected to DVSS in Serial Mode and I2C pin = “H”.
29	SDTIA1	I	Audio Serial Data Input A1 Pin
30	SDTIA2	I	Audio Serial Data Input A2 Pin
31	SDTIA3	I	Audio Serial Data Input A3 Pin
32	SDTIB	I	Audio Serial Data Input B Pin
33	HVDD	-	HP Power Supply Pin, 4.5V~5.5V
34	HVSS	-	HP Ground Pin, 0V
35	HPR	O	HP Rch Output Pin
36	HPL	O	HP Lch Output Pin
37	MUTET	-	HP Common Voltage Output Pin 1μF capacitor should be connected to HVSS externally.

No.	Pin Name	I/O	Function
38	LOUT2	O	DAC2 Lch Positive Analog Output Pin
39	ROUT2	O	DAC2 Rch Positive Analog Output Pin
40	LOUT1	O	DAC1 Lch Positive Analog Output Pin
41	ROUT1	O	DAC1 Rch Positive Analog Output Pin
42	VCOM	-	DAC/ADC Common Voltage Output Pin 2.2 μ F capacitor should be connected to AVSS2 externally.
43	AVDD2	-	DAC Power Supply Pin, 4.5V~5.5V
44	AVSS2	-	DAC Ground Pin, 0V
45	LISEL	O	Lch Feedback Resistor Output Pin
46	LOPIN	O	Lch Feedback Resistor Input Pin, 0.5xAVDD1
47	ROPIN	O	Rch Feedback Resistor Input Pin. 0.5xAVDD1
48	RISEL	O	Rch Feedback Resistor Output Pin
49	AVSS1	-	ADC Ground Pin, 0V
50	AVDD1	-	ADC Power Supply Pin, 4.5V~5.5V
51	LIN1	I	Lch Input 1 Pin
52	RIN1	I	Rch Input 1 Pin
53	LIN2	I	Lch Input 2 Pin
54	RIN2	I	Rch Input 2 Pin
55	LIN3	I	Lch Input 3 Pin
56	RIN3	I	Rch Input 3 Pin
57	LIN4	I	Lch Input 4 Pin
58	RIN4	I	Rch Input 4 Pin
59	LIN5	I	Lch Input 5 Pin
60	RIN5	I	Rch Input 5 Pin
61	LIN6	I	Lch Input 6 Pin
62	RIN6	I	Rch Input 6 Pin
63	PVSS	-	PLL Ground pin
64	R	-	External Resistor Pin 12k Ω +/-1% resistor should be connected to PVSS externally.

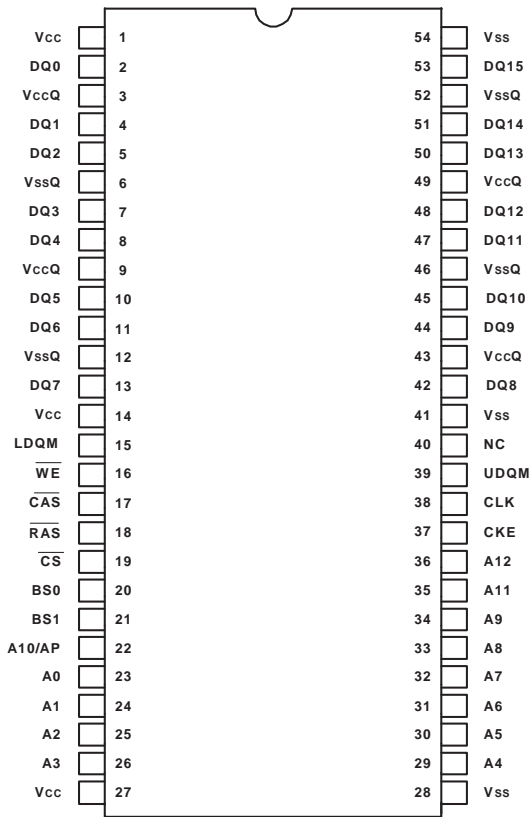
ICE3B0365J (MAIN : IC95)



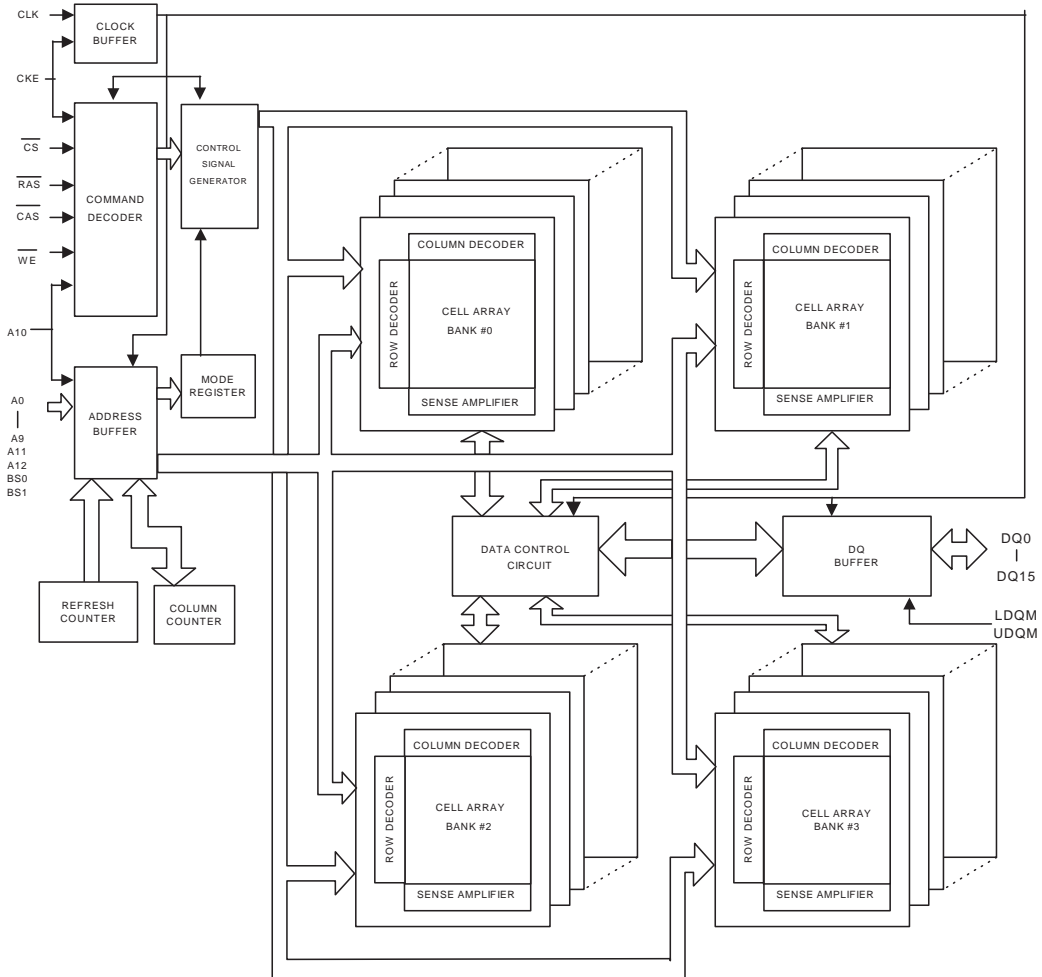
ICE3B0365J Block Diagram



W9825G6EH-6J (ETHERNET : U3902)



W9825G6EH-6J Block Diagram



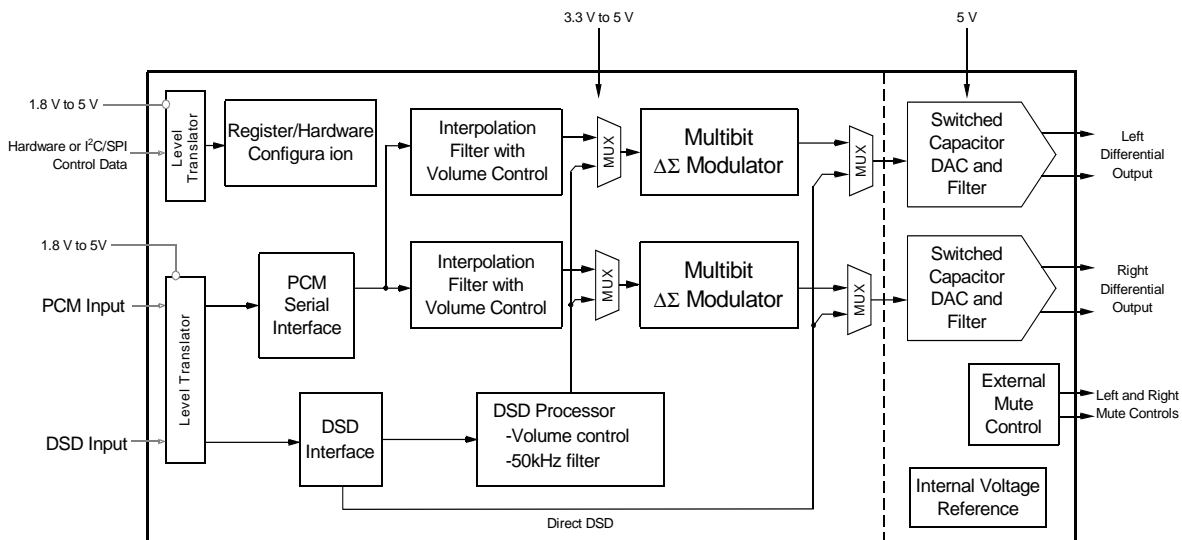
W9825G6EH-6J Pin Description

PIN NUMBER	PIN NAME	FUNCTION	DESCRIPTION
23–26, 22, 29–36	A0–A12	Address	Multiplexed pins for row and column address. Row address: A0–A12. Column address: A0–A8.
20, 21	BS0, BS1	Bank Select	Select bank to activate during row address latch time, or bank to read/write during address latch time.
2, 4, 5, 7, 8, 10, 11, 13, 42, 44, 45, 47, 48, 50, 51, 53	DQ0–DQ15	Data Input/Output	Multiplexed pins for data output and input.
19	$\overline{\text{CS}}$	Chip Select	Disable or enable the command decoder. When command decoder is disabled, new command is ignored and previous operation continues.
18	$\overline{\text{RAS}}$	Row Address Strobe	Command input. When sampled at the rising edge of the clock, $\overline{\text{RAS}}$, $\overline{\text{CAS}}$ and $\overline{\text{WE}}$ define the operation to be executed.
17	$\overline{\text{CAS}}$	Column Address Strobe	Referred to $\overline{\text{RAS}}$
16	$\overline{\text{WE}}$	Write Enable	Referred to $\overline{\text{RAS}}$
15, 39	LDQM, UDQM	Input/Output Mask	The output buffer is placed at Hi-Z(with latency of 2) when DQM is sampled high in read cycle. In write cycle, sampling DQM high will block the write operation with zero latency.
38	CLK	Clock Inputs	System clock used to sample inputs on the rising edge of clock.
37	CKE	Clock Enable	CKE controls the clock activation and deactivation. When CKE is low, Power Down mode, Suspend mode, or Self Refresh mode is entered.
1, 14, 27	VCC	Power (+3.3V)	Power for input buffers and logic circuit inside DRAM.
28, 41, 54	VSS	Ground	Ground for input buffers and logic circuit inside DRAM.
3, 9, 43, 49	VCCQ	Power (+3.3V) for I/O Buffer	Separated power from VCC, to improve DQ noise immunity.
6, 12, 46, 52	VSSQ	Ground for I/O Buffer	Separated ground from VSS, to improve DQ noise immunity.
40	NC	No Connection	No connection. (NC pin should be connected to GND or floating)

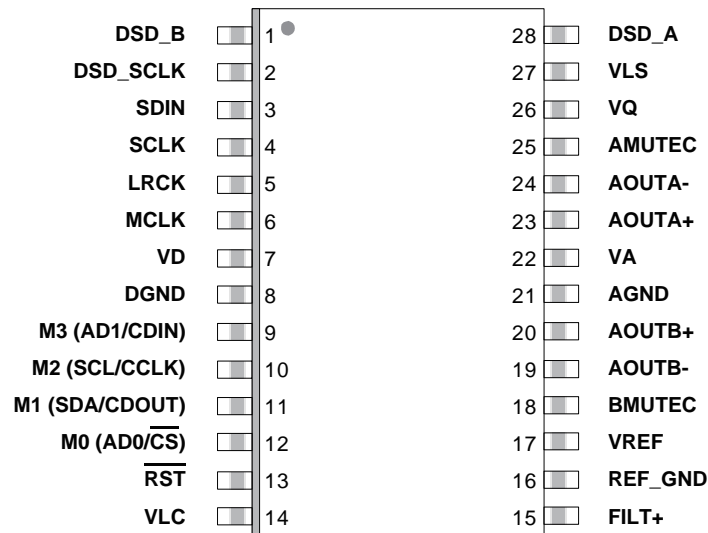
120 dB, 192 kHz Multi-Bit DAC with Volume Control

Features

- ◆ Advanced Multi-bit Delta-Sigma Architecture
 - 120 dB Dynamic Range
 - -107 dB THD+N
 - Low Clock Jitter Sensitivity
 - Differential Analog Outputs
- ◆ PCM input
 - 102 dB of Stopband Attenuation
 - Supports Sample Rates up to 192 kHz
 - Accepts up to 24 bit Audio Data
 - Supports All Industry Standard Audio Interface Formats
 - Selectable Digital Filter Response
 - Volume Control with 1/2 dB Step Size and Soft Ramp
 - Flexible Channel Routing and Mixing
 - Selectable De-Emphasis
- ◆ Supports Stand-Alone or I²C/SPI™ Configuration
 - Embedded Level Translators
 - 1.8 V to 5 V Serial Audio Input
 - 1.8 V to 5 V Control Data Input
- ◆ Direct Stream Digital (DSD)
 - Dedicated DSD Input Pins
 - On-Chip 50 kHz Filter to Meet Scarlet Book SACD Recommendations
 - Matched PCM and DSD Analog Output Levels
 - Non-Decimating Volume Control with 1/2 dB Step Size and Soft Ramp
 - DSD Mute Detection
 - Supports Phase-Modulated Inputs
 - Optional Direct DSD Path to On-Chip Switched Capacitor Filter
- ◆ Control Output for External Muting
 - Independent Left and Right Mute Controls
 - Supports Auto Detection of Mute Output Polarity
- ◆ Typical Applications
 - DVD Players
 - SACD Players
 - A/V Receivers
 - Professional Audio Products



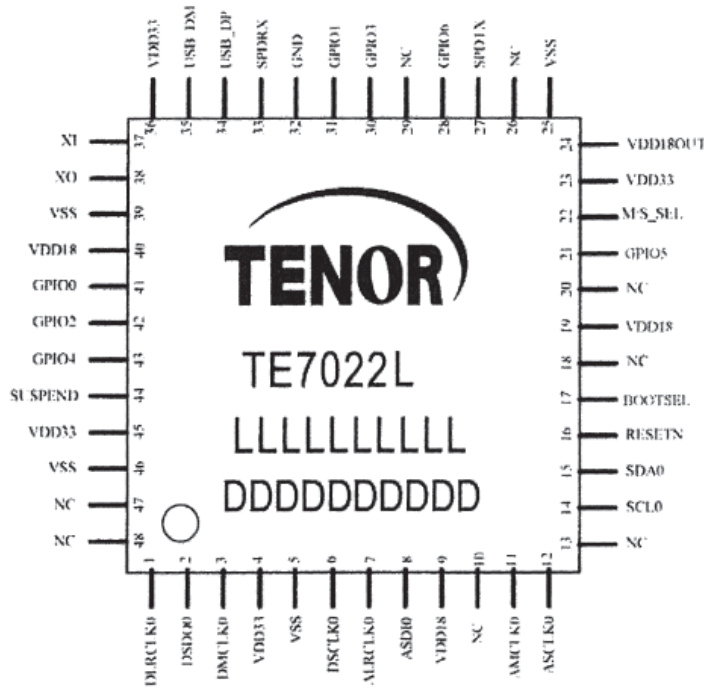
CS4398 (AUDIO : IC73)



CS4398 Terminal Functions

Pin Name	Pin #	Pin Description
DSD_A	28	Direct Stream Digital Input (Input) - Input for Direct Stream Digital serial audio data.
DSD_B	1	
DSD_SCLK	2	DSD Serial Clock (Input) - Serial clock for the Direct Stream Digital audio interface.
SDIN	3	Serial Audio Data Input (Input) - Input for two's complement serial audio data.
SCLK	4	Serial Clock (Input) - Serial clock for the serial audio interface.
LRCK	5	Left Right Clock (Input) - Determines which channel, Left or Right, is currently active on the serial audio data line.
MCLK	6	Master Clock (Input) - Clock source for the delta-sigma modulator and digital filters.
VD	7	Digital Power (Input) - Positive power for the digital section.
DGND	8	Digital Ground (Input) - Ground reference for the digital section.
RST	13	Reset (Input) - The device enters system reset when enabled.
VLC	14	Control Port Power (Input) - Positive power for Control Port I/O.
FILT+	15	Positive Voltage Reference (Output) - Positive reference voltage for the internal sampling circuits.
REF_GND	16	Reference Ground (Input) - Ground reference for the internal sampling circuits.
VREF	17	Voltage Reference (Input) - Positive voltage reference for the internal sampling circuits.
BMUTECH	18	Mute Control (Output) - The Mute Control pin is active during power-up initialization, muting, power-down or if the master clock to left/right clock frequency ratio is incorrect. During reset, these outputs are set to a high impedance.
AMUTECH	25	
AOUTB+	20	Differential Right Channel Analog Output (Output) - The full-scale differential analog output level is specified in the Analog Characteristics specification table.
AOUTB-	19	
AGND	21	Analog Ground (Input) - Ground reference for the analog section.
VA	22	Analog Power (Input) - Positive power for the analog section.
AOUTA+	23	Differential Left Channel Analog Output (Output) - The full-scale differential analog output level is specified in the Analog Characteristics specification table.
AOUTA-	24	
VQ	26	Quiescent Voltage (Output) - Filter connection for internal quiescent voltage.
VLS	27	Serial Audio Interface Power (Input) - Positive power for serial audio interface I/O.
Stand-Alone Mode Definitions		
M3	9	Mode Selection (Input) - Determines the operational mode of the device.
M2	10	
M1	11	
M0	12	
Control Port Mode Definitions		
AD1/CDIN	9	Address Bit 1 (I²C) / Control Data Input (SPI) (Input) - AD1 is a chip address pin in I ² C mode; CDIN is the input data line for the Control Port interface in SPI mode.
SCL/CCLK	10	Serial Control Port Clock (Input) - Serial clock for the serial Control Port.
SDA/CDOUT	11	Serial Control Data (I²C) / Control Data Output (SPI) (Input/Output) - SDA is a data I/O line in I ² C mode. CDOUT is the output data line for the Control Port interface in SPI mode.
AD0/CS	12	Address Bit 0 (I²C) / Control Port Chip Select (SPI) (Input) - AD0 is a chip address pin in I ² C mode; CS is the chip select signal for SPI format.

TE7022L (MAIN :IC910)



TE7022L Pin Descriptions

Pin	Pin Name	I/O	Pin Descriptions
1	DLRCLK0	I/O	I2S-Out L/R Clock: Output in master mode, Input in slave mode
2	DSDO0	O	I2S-Out Data
3	DMCLK0	O	I2S-Out Mater Clock
4	VDD33	I	Power 3.3V supply
5	VSS	-	Ground
6	DSCLK0	I/O	I2S-Out Bit Clock, Output in master mode, Input in slave mode
7	ALRCLK0	I/O	I2S-In L/R Clock, Output in master mode, Input in slave mode
8	ASDI0	I	I2S-In Data
9	VDD18	I	Core Power 1.8V supply
10	TEST	I/O	For FT test only
11	AMCLK0	O	I2S-In Master Clock
12	ASCLK0	I/O	I2S Input Bit Clock, Output in master mode, Input in slave mode
13	NC	-	NC
14	SCL0	I/O	2-Wire Clock
15	SDA0	I/O	2-Wire Data
16	RESETN	I	Reset pin, Active "Low" , Internal Pull-up
17	BOOTSEL	I	Strapping Pin for Boot from External EEPROM or internal ROM Pull-down is boot form internal ROM. (Please refer to "Chapter 5.5 External EEPROM Support")
18	NC	-	NC
19	VDD18	I	Core Power 1.8V supply

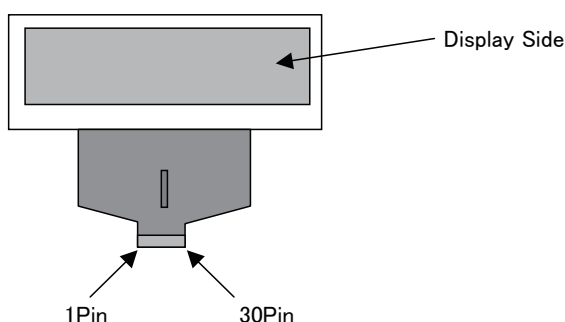
TE7022L Pin Descriptions

20	NC	-	NC
21	GPIO5	I/O	GPIO5
22	M/S_SEL	I	Power on strapping for I2S(In/Out) Master/Slave select pin. Pull-up is Slave mode.
23	VDD33	I	Power 3.3V supply
24	VDD18OUT	O	1.8V output
25	VSS	-	GND
26	TEST	I/O	For FT test only
27	SPDTX	O	S/PDIF TX
28	GPIO6	I/O	GPIO6
29	NC	-	NC
30	GPIO3	I/O	GPIO3
31	GPIO1	I/O	GPIO1
32	VSS	-	GND
33	SPDRX	I	S/PDIF RX
34	USB_DP	I/O	USB D+
35	USB_DM	I/O	USB D-
36	VDD33	I	Power 3.3V
37	XI	I	X'tal Clock
38	XO	O	X'tal Clock
39	VSS	-	GND
40	VDD18	I	Core Power 1.8V supply
41	GPIO0	I/O	GPIO0
42	GPIO2	I/O	GPIO2
43	GPIO4	I/O	<ol style="list-style-type: none"> 1. For internal ROM is report for HID "Scan Next Track" function 2. GPIO4 becomes an input only pin if external ROM descriptor is used. It will reflect the board power status. <ol style="list-style-type: none"> a. If the system is currently self-powered, it should feed a 1 to GPIO4. b. If the system is currently bus-powered, it should feed a 0 to GPIO4. <p>Note that the "Scan Next Track" in HID report in this scenario should be removed.</p>
44	SUSPEND	O	When USB in Suspend mode: '1', USB in normal mode: '0'.
45	VDD33	I	Power 3.3V
46	VSS	-	GND
47	NC	-	NC
48	NC	-	NC

2. DISPLAY

MXS4003A (DISPLAY : CN84)

端子番号 Pin No.	端子名 Pin Name	入出力 IO	機能 Functions
1	VSS	P	グラウンド GND
2	NC	-	
3	VCC	P	ドライバー系陽極電源 Power supply for Anode Driver
4	VCOMH	O	ドライバー系陰極電源 Power supply for Cathode Driver
5	VLSS	P	アナロググラウンド Analog system ground
6	D7	I	データバス Data Bus
7	D6	I	データバス Data Bus
8	D5	I	データバス Data Bus
9	D4	I	データバス Data Bus
10	D3	I	データバス Data Bus
11	D2	I	データバス Data Bus
12	D1 (SDIN)	I	データバス、またはシリアルデータ入力 Data Bus or Serial Date Input
13	D0 (SCLK)	I	データバス、またはシリアルクロック入力 Data Bus or Serial Clock Input
14	E, RD#	I	読み出し (シリアルインターフェース時、内部で "L" 固定になる) Read (This pin stays "L"(low) in Serial Interface Mode)
15	R/W#, WR#	I	書き込み (シリアルインターフェース時、内部で "L" 固定になる) Write (This pin stays "L"(low) in Serial Interface Mode)
16	BS0	I	インターフェース選択子 Select MCU bus interface setting
17	BS1	I	<ul style="list-style-type: none"> •BS0=0, BS1=0 : 4 line SPI •BS0=1, BS1=0 : 3 line SPI •BS0=0, BS1=1 : 8bit 8080 Parallel •BS0=1, BS1=1 : 8bit 6800 Parallel
18	D/C#	I	データ/コマンド切替制御 "H":データ, "L":コマンド Data/Command Control. "H":Data, "L":Command
19	CS#	I	チップセレクト "L" でI/F通信可能 Chip Select, Active "L"
20	RES#	I	リセット "L" でリセット Reset, Active "L"
21	Reserved	O	NCとしてください Please No Connect.
22	IREF	O	陽極出力基準電流設定端子 Reference current setting
23	NC	-	
24	VDDIO	P	インターフェイス系電源 Power supply for Interface logic level
25	VDD	O	内部ロジック系電源 Power supply for Core logic operation
26	VCI	P	外部ロジック系電源 Low voltage power supply
27	VSL	P	陽極基準電位 Segment Reference voltage
28	VLSS	P	アナロググラウンド Analog system ground
29	NC	-	
30	VCC	P	ドライバー系陽極電源 Power supply for Anode Driver



PARTS LIST OF P.C.B. UNIT

* Parts for which "nsp" is indicated on this table cannot be supplied.

* The parts listed below are for maintenance only, might differ from the parts used in the unit in appearances or dimensions.

Note: The symbols in the column "Remarks" indicate the following destinations.

U : North America model

N : Europe model

K : China model

B : Black model

SG : Silver gold model

AUDIO PCB ASS'Y

Ref. No.	Part No.	Part Name	Remarks	Q'ty	New
SEMICONDUCTORS GROUP					
IC35	00D2631205900	REGULATOR PQ012FZ01ZP	N		HVIPQ012FZ01ZP
IC73	90M-HC109330R	AUDIO DAC (TSSOP-28 PACKAGE) CS4398-CZ			HVICS4398CZ
IC75	00D2631100034	I.C , VOL-REGULATOR(15V TO-220IS-4) KIA7815API-U/PF			CVIKIA7815AP
IC76	00MHC3890599F	REGULATOR, +5V KIA7805API-U/PF			HVIKIA7805API
IC77	90M-HC900150R	I.C , REGULATOR(SOT-223) KIA1117S/F33			CVIKIA1117S33
IC81	00MHC10102090	I.C , OP AMP (JRC) NJM2068MD-TE1			HVINJM2068MDTE1
Q601,602	00MHF203691B0	FET (N-CH) AUDIO (TO-92 PKG) 2SK369BL			HVT2SK369BLT
Q603	00MHT800931A0	T.R KTC3200GR			HVTKTC3200GRT
Q604,605	00MHT600121A0	T.R KTA1268GR			HVTKTA1268GRT
Q606,607	00MHT800931A0	T.R KTC3200GR			HVTKTC3200GRT
Q608,609	00MHT600121A0	T.R KTA1268GR			HVTKTA1268GRT
Q610-612	00MHT800931A0	T.R KTC3200GR			HVTKTC3200GRT
Q613	00MHT600121A0	T.R KTA1268GR			HVTKTA1268GRT
Q616,617	00MHT805501B0	T.R , MUTE KTC2874B			HVTKTC2874BT
Q701,702	00MHF203691B0	FET (N-CH) AUDIO (TO-92 PKG) 2SK369BL			HVT2SK369BLT
Q703	00MHT800931A0	T.R KTC3200GR			HVTKTC3200GRT
Q704,705	00MHT600121A0	T.R KTA1268GR			HVTKTA1268GRT
Q706,707	00MHT800931A0	T.R KTC3200GR			HVTKTC3200GRT
Q708,709	00MHT600121A0	T.R KTA1268GR			HVTKTA1268GRT
Q710-712	00MHT800931A0	T.R KTC3200GR			HVTKTC3200GRT
Q713	00MHT600121A0	T.R KTA1268GR			HVTKTA1268GRT
Q714	00MBA20001000	T.R , TO-92M KRC102M			HVTKRC102MT
Q715	00MBA10001000	T.R , TO-92M KRA102M			HVTKRA102MT
Q716,717	00MHT805501B0	T.R , MUTE KTC2874B			HVTKTC2874BT
Q718	00MBA20001000	T.R , TO-92M KRC102M			HVTKRC102MT
Q744,745	00MBA20001000	T.R , TO-92M KRC102M			HVTKRC102MT
Q801,802	00MHT800951B0	T.R KTC3203Y			HVTKTC3203YT
Q803,804	00MHT600141B0	T.R KTA1271Y			HVTKTA1271YT
Q807-810	00MHT805501B0	T.R , MUTE KTC2874B			HVTKTC2874BT
Q902	2120500010090	T.R 2SB1020AJA			CVT2SB1020AJA
Q903	2140500010050	T.R 2SD1415AJA			CVT2SD1415AJA
D301	00MHD20015210	DIODE , SWITCHING ISS133(T/B)	N		CVD1SS133MT
D303	00MNN05010610	RES , CHIP(1 OHM , 5% , 1608)	N		CRJ10DJ1R0T
D304	00MHD20015210	DIODE , SWITCHING ISS133(T/B)	N		CVD1SS133MT
D601-608	00MHD20015210	DIODE , SWITCHING ISS133(T/B)			CVD1SS133MT
D701-708	00MHD20015210	DIODE , SWITCHING ISS133(T/B)			CVD1SS133MT
D721,722	00MHD20015210	DIODE , SWITCHING ISS133(T/B)			CVD1SS133MT
D801-804	00MHD20015210	DIODE , SWITCHING ISS133(T/B)			CVD1SS133MT
D916-919	00MHD20055100	DIODE , SCHOTTKY (100V/1A)			CVD11EQS10GT
D924	90M-HD302450R	DIODE , ZENER 13V ZJ13B 1/2W			CVDZJ13BT
D925	00MHD20015210	DIODE , SWITCHING ISS133(T/B)			CVD1SS133MT
D926	90M-HD302450R	DIODE , ZENER 13V ZJ13B 1/2W			CVDZJ13BT

Ref. No.	Part No.	Part Name	Remarks	Q'ty	New
D927	00MHD20015210	DIODE , SWITCHING ISS133(T/B)		CVD1SS133MT	
RESISTORS GROUP					
VR81	90M-RB000040R	RES , VARIABLE		CVV2J02B103Z	
CAPACITORS GROUP					
C327,328	nsp	CAP , CERAMIC(100PF/50V)	N	CCBS1H101KBT	
C329	nsp	CAP , CERAMIC 0.1UF 50V Z	N	CCBS1H104ZFT	
C330	nsp	CAP , ELECT 100UF 16V	N	CCEA1CKS101T	
C331	nsp	CAP , CERAMIC 0.1UF 50V Z	N	CCBS1H104ZFT	
C332	nsp	CAP , ELECT 100UF 16V	N	CCEA1CKS101T	
C333	nsp	CAP , CERAMIC 0.1UF 50V Z	N	CCBS1H104ZFT	
C334	nsp	CAP , ELECT 100UF 10V	N	CCEA1AKS101T	
C335-337	nsp	CAP , CERAMIC 0.1UF 50V Z	N	CCBS1H104ZFT	
C338	nsp	CAP , ELECT 47UF 16V	N	CCEA1CKS470T	
C339	nsp	CAP , CERAMIC 0.1UF 50V Z	N	CCBS1H104ZFT	
C340	nsp	CAP , ELECT 47UF 16V	N	CCEA1CKS470T	
C341	nsp	CAP , CERAMIC 0.1UF 50V Z	N	CCBS1H104ZFT	
C342	nsp	CAP , ELECT 330UF 10V	N	CCEA1AH331T	
C343	nsp	CAP , CERAMIC 0.1UF 50V Z	N	CCBS1H104ZFT	
C344	nsp	CAP , CERAMIC 0.01UF 50V Z	N	CCBS1H103ZFT	
C345	nsp	CAP , CERAMIC(1000PF/50V)	N	CCBS1H102KBT	
C400	nsp	CAP , CERAMIC 0.1UF 50V Z	N	CCBS1H104ZFT	
C401	nsp	CAP , CERAMIC 0.01UF 50V Z	N	CCBS1H103ZFT	
C434	nsp	CAP,POLYPROPYLENE(FAS(133)-200V-121K)		CCMP2B121KS17T	
C492	nsp	CAP , CERAMIC 0.1UF 50V Z	N	CCBS1H104ZFT	
C493	nsp	CAP , CERAMIC 0.01UF 50V Z	N	CCBS1H103ZFT	
C603	nsp	CAP,POLYPROPYLENE(FAS(133)-200V-121K)		CCMP2B121KS17T	
C605	nsp	CAP,POLYPROPYLENE(FAS(133)-200V-121K)		CCMP2B121KS17T	
C606	nsp	CAP,POLYPROPYLENE(FAS(133)-200V-101K)		CCMP2B101KS17T	
C608	nsp	CAP,POLYPROPYLENE(FAS(133)-200V-101K)		CCMP2B101KS17T	
C609	00MOA227025R0	CAP , ELECT(220UF/25V, 10X20, ELNA/ROA)		CCEA1EROA221T	
C610,611	00MOA227016Z0	CAP , ELECT(ELNA/ROS, 16V/220UF)		CCEA1CR221T	
C701	nsp	CAP,POLYPROPYLENE(FNS(135)-100VDC-182J)		CCMP2A182JS13T	
C703	nsp	CAP,POLYPROPYLENE(FAS(133)-200V-121K)		CCMP2B121KS17T	
C705	nsp	CAP,POLYPROPYLENE(FAS(133)-200V-121K)		CCMP2B121KS17T	
C706	nsp	CAP,POLYPROPYLENE(FAS(133)-200V-101K)		CCMP2B101KS17T	
C708	nsp	CAP,POLYPROPYLENE(FAS(133)-200V-101K)		CCMP2B101KS17T	
C709	00MOA227025R0	CAP , ELECT(220UF/25V, 10X20, ELNA/ROA)		CCEA1EROA221T	
C710,711	00MOA227016Z0	CAP , ELECT(ELNA/ROS, 16V/220UF)		CCEA1CR221T	
C720	nsp	CAP , ELECT 100UF 50V		CCEA1HH101T	
C721,722	nsp	CAP , CERAMIC 0.1UF 50V Z		CCBS1H104ZFT	
C723	nsp	CAP , ELECT 100UF 25V		CCEA1EH101T	
C730	nsp	CAP,POLYPROPYLENE(FNS(135)-100VDC-182J)		CCMP2A182JS13T	
C744	nsp	CAP , ELECT 220UF 25V		CCEA1EH221T	
C751	nsp	CAP , ELECT 100UF 25V		CCEA1EH101T	
C752	nsp	CAP , CERAMIC 0.1UF 50V Z		CCBS1H104ZFT	
C753	nsp	CAP , ELECT 100UF 25V		CCEA1EH101T	
C754	nsp	CAP , CERAMIC 0.1UF 50V Z		CCBS1H104ZFT	
C755	00MOA227025R0	CAP , ELECT(220UF/25V, 10X20, ELNA/ROA)		CCEA1EROA221T	

Ref. No.	Part No.	Part Name	Remarks	Q'ty	New
C756	nsp	CAP , ELECT 3.3UF 50V			
C757	00MOA227025R0	CAP , ELECT(220UF/25V, 10X20, ELNA/ROA)			
C758-760	nsp	CAP , CERAMIC 0.1UF 50V Z			
C761,762	90M-OA000330R	CAP , ELECT 33UF 50V			
C763	nsp	CAP , ELECT 100UF 16V			
C764,765	nsp	CAP , CERAMIC 0.1UF 50V Z			
C790	nsp	CAP , CERAMIC 0.1UF 50V Z			
C791	nsp	CAP , CERAMIC(1000PF/50V)			
C792	nsp	CAP , CERAMIC 0.01UF 50V Z			
C801,802	nsp	CAP , ELECT 220UF 16V			
C803,804	nsp	CAP , ELECT 100UF 25V			
C805,806	nsp	CAP , CERAMIC(1000PF/50V)			
C807-810	nsp	CAP , ELECT 100UF 25V			
C820	nsp	CAP , CERAMIC 0.1UF 50V Z			
C821	nsp	CAP , CERAMIC(1000PF/50V)			
C822	nsp	CAP , CERAMIC 0.01UF 50V Z			
C823	nsp	CAP , CERAMIC 0.1UF 50V Z			
C824	nsp	CAP , CERAMIC(1000PF/50V)			
C825	nsp	CAP , CERAMIC 0.01UF 50V Z			
C826	nsp	CAP , CERAMIC 0.1UF 50V Z			
C827	nsp	CAP , CERAMIC(1000PF/50V)			
C828	nsp	CAP , CERAMIC 0.01UF 50V Z			
C840	nsp	CAP , CERAMIC 0.1UF 50V Z			
C841	nsp	CAP , CERAMIC(1000PF/50V)			
C843	nsp	CAP , CERAMIC 0.01UF 50V Z			
C900	nsp	CAP , CERAMIC 0.01UF 50V Z			
C910	nsp	CAP , CERAMIC 0.1UF 50V Z			
C917	00MOB10803570	CAP , ELECT(ELNA/LAO, 35V/1000UF)			
C918	nsp	CAP , ELECT 47UF 25V			
C919	00MOA227016R1	CAP , ELECT (220uF/16V, ROA, ELNA)			
C920	00MOB10803570	CAP , ELECT(ELNA/LAO, 35V/1000UF)			
C921	nsp	CAP , ELECT 47UF 25V			
C922	00MOA227016R1	CAP , ELECT (220uF/16V, ROA, ELNA)			
C930	nsp	CAP , CERAMIC 0.1UF 50V Z			
C931	nsp	CAP , CERAMIC(1000PF/50V)			
C932	nsp	CAP , CERAMIC 0.01UF 50V Z			
C940	nsp	CAP , CERAMIC 0.1UF 50V Z			
C941	nsp	CAP , CERAMIC(1000PF/50V)			
C950	nsp	CAP , CERAMIC(1000PF/50V)			
C951	nsp	CAP , CERAMIC 0.01UF 50V Z			
C952	nsp	CAP , CERAMIC 0.1UF 50V Z			
C953	nsp	CAP , CERAMIC(1000PF/50V)			
C954	nsp	CAP , CERAMIC 0.01UF 50V Z			
OTHER PATRS GROUP					
AS7	nsp	FERRITE , CORE(21.2X6.4X12.7)			
AS8	nsp	WIRE ASS'Y(5P, 2MM, 100MM)			
AS9	nsp	HEAT SINK			
AS9	nsp	HEAT SINK			
AS10	nsp	SCREW			
AS11	00MHT21020100	T.R , DARLINGTON 2SB1020A(F)			

Ref. No.	Part No.	Part Name	Remarks	Q'ty	New
AS15	00MHT41415100	T.R , DARLINGTON 2SB1020A(F)		CVT2SD1415A	
BN42	nsp	WIRE ASS'Y(15P, 2MM, 100MM)		CWB1C01510047	
BN43	nsp	WIRE ASS'Y(5P, 2MM, 50MM)		CWB1C00505047	
BN81	nsp	WIRE ASS'Y(9P, 2MM, 100MM, SHIELD)		CWB1C00910047001	
BN431	nsp	WIRE ASS'Y (5P, 100mm, 2mm, WITH RING CORE)		CWB1C00510047001	
CN10	nsp	WAFER , CARD CABLE	N	CJP11GB113ZY	
CN32	nsp	2.54mm 30PIN WAFER	N	CJP30GA221ZB	
CN81	nsp	LOCKING TYPE , STRAIGHT WAFER , 2MM		CJP09GI236ZW	
CN94	nsp	LOCKING TYPE , STRAIGHT WAFER, 2.5MM		CJP03GI237ZW	
ET31,32	nsp	BRACKET , PCB	N	CMD1A569	
ET71	nsp	BRACKET , PCB		CMD1A569	
ET72-75	nsp	PALTE , EARTH		HJT1A025	
ET81	nsp	PLATE , EARTH		CMC1A348	
H10	nsp	WIRE ASS'Y		CWE7202100AR	
JK61	943643002370S	JACK , 1P BOARD (WHITE, GD PLATE)		CJJ4M064Z	
JK71	943643002380S	JACK , 1P BOARD (RED, GD PLATE)		CJJ4M065Z	
L305-307	nsp	BEAD , CORE	N	KLZ9H001Z	
L702	nsp	WIRE , COPPER		C3A206	
L751	nsp	BEAD , CORE		KLZ9H001Z	
PH81	90M-YT004500R	JACK , HEADPHONE(SILVER PLATE)		CJJ2E026Z	

MAIN PCB ASS'Y

Ref. No.	Part No.	Part Name	Remarks	Q'ty	New
SEMICONDUCTORS GROUP					
IC21	90M-HC108430R	I.C TC74HC7007AFEL			
IC22	00D2622977933	I.C , REGULATOR CHIP (+5V) BA50BC0FP			
IC23	00D2623762008	I.C , AUDIO CODEC(64PIN_LQFP, 0.5MM) AK4683EQ			
IC25	00MHC10102090	I.C , OP AMP (JRC) NJM2068MD-TE1			
IC26	943231011220S	I.C , REGULATOR (9V, DPAK-5) IKIA78R09F	N		
		NOTE : When update Firmware, please confirm a last version in SDI. Use the service board after updating it.			
IC31	8R2431005900S	I.C , U-COM ANAM1524NT			*
IC32	90M-HW100690R	SENSOR , REMOCON(36KHz) RPM6936			
IC34	943234012160S	I.C , RS-232(SO-16) ST3232ECDR			
IC35	00D2631288901	I.C , REGULATOR (LOW POWER LOSS,5V,DPAK-5) PQ050DNA1ZPH			
IC36	943239011300S	Reset IC (3V, SSOP5) CVIBD4730G			
IC37	943249011290S	I.C EEPROM(256K, 32-kword x 8 bit) R1EX24256ASAS0A			
IC81	8R2431005500S	I.C , OLED DRIVER ANAM1526NT			
IC83	943231011200S	2A Low Drop Regulator (HRP-5) BA00DD0WHFP			
IC91	90M-HC900150R	I.C , REGULATOR(SOT-223) KIA1117S/F33			
IC92	231810041507S	IC , DCDC Converter (3.5A, SOP8) SI-8005Q			
IC95	943235003220S	IC, CooLSET ICE3B0365J			
IC96	90M-HW100710R	I.C , PHOTO COUPLER PC-17L1CB			
IC99	90M-HC300770R	I.C , REGULATOR KIA431BAT			
IC106	00D2757001907	MOSFET (P-CH, 2.5V POWER TRENCH) FDC608PZ	N		
IC501	245810020608D	IC , DSP(333MHz, LQFP-208PIN) ADSP21367KSDZ2A			
IC502	231810051504S	I.C , DC-DC CONVERTER (1A,QFN-20P) EN5311QI			
IC504	8R2481006800S	I.C , FLASH (16Mbit, TSOP-48) EN29LV160BB-70TIP			*
IC505	231810041507S	IC , DCDC Converter (3.5A, SOP8) SI-8005Q			
IC902	00D2622519906	I.C , NAND GATE(POSITIVE, TSSOP-14) SN74LV00APWR			
IC903	00D2623077900	IC , HEX INVERTER			
IC910	239810048601S	I.C , USB DAC(LQFP-48) TE7022L			
△ IC911	90M-HW100710R	I.C , PHOTO COUPLER PC-17L1CB			
IC912	00MHC1043399Z	AT24C08BN-SH-T			
Q109	90M-HX800010R	T.R , CHIP , SOT-23 KRA102S	N		
Q201	nsp	T.R , CHIP , SOT-23 KRC107S			
Q211	nsp	T.R , CHIP , SOT-23. KRA102S	N		
Q212	nsp	T.R , CHIP , SOT-23 KRA102S	N		
Q301	nsp	T.R , CHIP , SOT-23 KRA102S			
Q302	nsp	T.R , CHIP , SOT-23. KRA102S			
Q303	00D2730317906	T.R , 2SC2458BL (NPN, 2-4E1A, AUDIO) 2SC2458BL			
Q304	nsp	T.R , CHIP , SOT-23. KRA102S			
Q309	00D2710326904	T.R,2SA1954(PNP,2-2E1A,SWITCHING) 2SA1954			
Q310	nsp	T.R , CHIP , SOT-23 KRA102S			
Q503	nsp	T.R , CHIP , SOT-23. KRA102S			
Q504	nsp	T.R , CHIP , SOT-23 KRA102S			
Q505	nsp	T.R , CHIP , SOT-23. KRA102S			

	Ref. No.	Part No.	Part Name	Remarks		Q'ty	New
	Q506	nsp	T.R , CHIP , SOT-23 KRA102S		HVTKRC102S		
	Q801	nsp	T.R , CHIP , SOT-23. KRA102S		HVTKRA102S		
	Q802	nsp	T.R , CHIP , SOT-23 KRA102S		HVTKRC102S		
	Q803	nsp	T.R , CHIP , SOT-23. KRA102S		HVTKRA102S		
	Q804	nsp	T.R , CHIP , SOT-23 KRA102S		HVTKRC102S		
	Q805	nsp	T.R , CHIP , SOT-23. KRA102S		HVTKRA102S		
	Q806	nsp	T.R , CHIP , SOT-23 KRA102S		HVTKRC102S		
	Q807	nsp	T.R , CHIP , SOT-23. KRA102S		HVTKRA102S		
	Q808	nsp	T.R , CHIP , SOT-23 KRA102S		HVTKRC102S		
	Q809	nsp	T.R , CHIP , SOT-23. KRA102S		HVTKRA102S		
	Q810	nsp	T.R , CHIP , SOT-23 KRA102S		HVTKRC102S		
	Q811	nsp	T.R , CHIP , SOT-23. KRA102S		HVTKRA102S		
	Q812	nsp	T.R , CHIP , SOT-23 KRA102S		HVTKRC102S		
	Q813	00D2757001907	MOSFET (P-CH, 2.5V POWER TRENCH) FDC608PZ		CVTFDC608PZ		
	Q900	nsp	T.R , CHIP , SOT-23 KRC111S		HVTKRC111S		
	Q901	943216012150S	T.R , KTD1863 (NPN, TO-92L, GENERAL, KEC) KTD1863ATP		CVTKTD1863ATP		*
	Q904	90M-HT800050R	T.R KTC3198Y		HVTKTC3198YT		
	Q905,906	nsp	T.R , CHIP , SOT-23 KRA102S		HVTKRC102S		
	Q907	nsp	T.R , CHIP , SOT-23. KRA102S		HVTKRA102S		
	Q910	90M-HT800050R	T.R KTC3198Y		HVTKTC3198YT		
	Q920	nsp	T.R , CHIP , SOT-23 KRA102S		HVTKRC102S		
	Q921	00D2690246900	DTC123EKA		HVTKRC117S		
	Q930-933	nsp	T.R , CHIP , SOT-23 KRA102S		HVTKRC102S		
	D104	nsp	DIODE , CHIP KDS160-RTK/P	N	CVDKDS160RTKP		
	D105,106	90M-HD201750R	DIODE , RECT 1N4003		CVD1N4003SRT		
	D107	nsp	DIODE , CHIP KDS160-RTK/P		CVDKDS160RTKP		
	D301-303	nsp	DIODE , CHIP KDS160-RTK/P		CVDKDS160RTKP		
	D313,314	nsp	DIODE , CHIP KDS160-RTK/P		CVDKDS160RTKP		
	D557	nsp	DIODE , SCHOTTKY (40V,3A, DO-214AC) DELTA SS34SR		CVDSS34SR		
	D800	00D2760761904	DIODE , ZENER 9.1V ZJ9.1BT(26MM T)		CVDZJ9.1BT		
	D801	90M-HI101090R	L.E.D , 2COLOR(RED/GREEN) SPR-39MVW3		HVDSPR39MVW3		
	D802-804	90M-HI101040R	L.E.D , RED SLR342VCTB7T089		HVD342VCTB7T089		
	D810	90M-HD302450R	DIODE , ZENER ZJ13B 1/2W		CVDZJ13BT		
	D811	943202000940S	DIODE , ZENER 16V ZJ16B 1/2W		CVDZJ16BT		
	D812,813	nsp	DIODE , CHIP KDS160-RTK/P		CVDKDS160RTKP		
	D814	90M-HD302450R	DIODE , ZENER ZJ13B 1/2W		CVDZJ13BT		
	D901,902	nsp	DIODE , CHIP KDS160-RTK/P		CVDKDS160RTKP		
	D906-909	90M-HD201750R	DIODE , RECT 1N4003		CVD1N4003SRT		
⚠	D910-913	943203003150S	DIODE 1N4007		HVD1N4007T		
	D918	943209005450M	DIODE , RECT(2A) 2A04-13		HVD2A04H		
	D921	nsp	DIODE , ZENER MTZJ20B 1/2W		HVDMTZJ20BT		
	D923	00MHZ21303210	DIODE , CHIP , SWITCHING 1SS355		CVD1SS355T		
	D928	00MHZ21303210	DIODE , CHIP , SWITCHING 1SS355		CVD1SS355T		
	D930-932	943209005450M	DIODE , RECT(2A) 2A04-13		HVD2A04H		
	D940	nsp	DIODE , CHIP KDS160-RTK/P		CVDKDS160RTKP		
	D941	nsp	DIODE , ZENER(CHIP,2.7V) UDZSTE-172.7B		HVDUDZS2.7BSR		
	D942	943203003150S	DIODE 1N4007		HVD1N4007T		
	D944	nsp	DIODE , SCHOTTKY (40V,3A, DO-214AC) DELTA SS34SR		CVDSS34SR		
	D950	nsp	DIODE , CHIP KDS160-RTK/P		CVDKDS160RTKP		

Ref. No.	Part No.	Part Name	Remarks	Q'ty	New
D952	nsp	DIODE , CHIP KDS160-RTK/P			
D957	90M-HD201870R	DIODE , SCHOTTKY UF4007			
D958	90M-HD201860R	DIODE , SCHOTTKY UF4004			
D959	nsp	DIODE , ZENER MTZJ20B 1/2W			
D960	90M-HD201990R	DIODE 31DQ06H			
D961,962	00MHD20059100	DIODE , SCHOTTKY 21DQ10(100V/2A)			
D963	943202000940S	DIODE , ZENER 16V ZJ16B 1/2W			
D970	00D2760761904	DIODE , ZENER 9.1V ZJ9.1BT(26MM T)			
OTHER PATRS GROUP					
△ R991-993	nsp	RES , CHIP , 750K OHM, 5% , 1/8W			
CAPACITORS GROUP					
C159	nsp	CER. CAP. 2200PF 50V KC	N		
C160	nsp	CAP , ELECT 47UF 16V			
C161,162	nsp	CAP , CHIP (1608, 50V/0.1uF)	N		
C169	nsp	CAP , ELECT 100UF 16V			
C170	nsp	CAP , CHIP (1608, 50V/0.01uF)	N		
C171	nsp	CAP , ELECT 100UF 25V			
C172	nsp	CAP , CHIP (1608, 50V/0.01uF)	N		
C174-176	nsp	CAP , CHIP (1608, 50V/0.1uF)	N		
C185	nsp	CAP , CHIP (1608, 50V/0.1uF)	N		
C188	nsp	CAP , CHIP (1608, 50V/1000pF)	N		
C189	nsp	CAP , CHIP (1608, 50V/0.01uF)	N		
C190	nsp	CAP , ELECT 100UF 16V			
C192	nsp	CAP , CHIP (1608, 50V/0.1uF)	N		
C193	nsp	CAP , CHIP (1608, 50V/0.01uF)	N		
C194	nsp	CAP , CHIP (1608, 50V/1000pF)	N		
C195	nsp	CAP , CHIP (1608, 50V/0.1uF)			
C196	nsp	CAP , CHIP (1608, 50V/0.01uF)			
C197	nsp	CAP , CHIP (1608, 50V/1000pF)			
C201	nsp	CAP , CHIP (1608, 50V/0.1uF)			
C202	nsp	CAP , ELECT 10UF 50V			
C203	nsp	CAP , CHIP (1608, 50V/1000pF)			
C204	nsp	CAP , CHIP (1608, 50V/0.1uF)			
C207	nsp	CAP , CHIP (1608, 50V/0.1uF)			
C208	nsp	CAP , CHIP (1608, 50V/1000pF)			
C209	nsp	CAP , CHIP (1608, 50V/0.1uF)			
C210	nsp	CAP , CHIP (1608, 50V/1000pF)			
C211	nsp	CAP , CHIP (1608, 50V/0.1uF)			
C212	nsp	CAP , CHIP (1608, 50V/1000pF)			
C213	nsp	CAP , CHIP (1608, 50V/0.01uF)			
C214	nsp	CAP , ELECT 47UF 10V			
C215	nsp	CAP , CHIP (1608, 50V/0.1uF)			
C216	nsp	CAP , CHIP (1608, 50V/1000pF)			
C217	nsp	CAP , ELECT 47UF 10V			
C218,219	nsp	CAP , CHIP (1608, 50V/0.1uF)			
C220	nsp	CAP , ELECT 10UF 50V			
C221	nsp	CAP , CHIP (1608, 50V/0.1uF)			
C222	nsp	CAP , ELECT 10UF 50V			

Ref. No.	Part No.	Part Name	Remarks	Q'ty	New
C223	nsp	CAP , CHIP (1608, 10V/1uF)			
C224	nsp	CAP , CHIP (1608, 50V/0.1uF)			
C226	nsp	CAP , ELECT 2.2UF 50V			
C227	nsp	CAP , ELECT 1UF 50V			
C229	nsp	CAP , CHIP (1608, 10V/1uF)			
C230	nsp	CAP , CHIP (1608, 50V/0.1uF)			
C231	nsp	CAP , CHIP (1608, 50V/33pF)			
C232	nsp	CAP , CHIP (1608, 50V/39pF)			
C233	nsp	CAP , ELECT 100UF 10V			
C234	nsp	CAP , ELECT 10UF 50V			
C235,236	nsp	CAP , CHIP (1608, 50V/0.1uF)			
C239	nsp	CAP , ELECT 10UF 50V			
C240	nsp	CAP , CHIP (1608, 50V/0.1uF)			
C241-246	nsp	CAP , ELECT 1UF 50V			
C254	nsp	CAP , CHIP (1608, 50V/0.1uF)			
C255	nsp	CAP , ELECT 47UF 25V			
C256-258	nsp	CAP , CHIP (1608, 50V/0.1uF)			
C259,260	nsp	CAP , CHIP (1608, 50V/100pF)			
C261	nsp	CAP , ELECT 47UF 25V			
C262	nsp	CAP , CHIP (1608, 50V/0.1uF)			
C265	nsp	CAP , CHIP (1608, 50V/0.1uF)			
C266	nsp	CAP , ELECT 47UF 25V			
C269,270	nsp	CAP , ELECT 10UF 50V			
C271,272	nsp	CAP , CHIP (1608, 50V/100pF)			
C280	nsp	CAP , ELECT 10UF 50V			
C281,282	nsp	CAP , CHIP (1608, 50V/0.1uF)			
C283	nsp	CAP , CHIP (1608, 50V/0.01uF)			
C284	nsp	CAP , CHIP (1608, 50V/1000pF)			
C290	nsp	CAP , CHIP (1608, 50V/0.1uF)			
C291	nsp	CAP , CHIP (1608, 50V/0.01uF)			
C292	nsp	CAP , CHIP (1608, 50V/1000pF)			
C301,302	nsp	CAP , CHIP (1608, 50V/0.1uF)			
C303	nsp	CAP , ELECT 470UF 10V			
C304,305	nsp	CAP , CHIP (1608, 50V/0.1uF)			
C306	nsp	CAP , CHIP (1608, 50V/470pF)			
C313	nsp	CAP , CHIP (1608, 50V/0.01uF)			
C314	nsp	CAP , CHIP (1608, 50V/0.1uF)			
C315	nsp	CAP , CHIP (1608, 50V/1000pF)			
C316	nsp	CAP , CHIP (1608, 50V/0.01uF)			
C317	nsp	CAP , CHIP (1608, 50V/0.1uF)			
C318	nsp	CAP , CHIP (1608, 50V/1000pF)			
C319	nsp	CAP , CHIP (1608, 50V/0.01uF)			
C320	nsp	CAP , CHIP (1608, 50V/0.1uF)			
C321	nsp	CAP , CHIP (1608, 50V/1000pF)			
C333	nsp	CAP , ELECT 4.7UF 50V			
C334	nsp	CAP , CHIP (1608, 50V/0.1uF)			
C335	nsp	CAP , CHIP (1608, 50V/1000pF)			
C336	nsp	CAP , CHIP (1608, 50V/0.1uF)			
C337,338	nsp	CAP , CHIP (1608, 50V/0.01uF)			
C339	nsp	CAP , ELECT 100UF 16V			
C340	nsp	CAP , CHIP (1608, 50V/220pF)			
C341	nsp	CAP , CHIP (1608, 50V/0.1uF)			

Ref. No.	Part No.	Part Name	Remarks	Q'ty	New
C342	nsp	CAP , CHIP (1608, 50V/1000pF)			
C343	nsp	CAP , CHIP (1608, 50V/220pF)			
C344	nsp	CAP , CHIP (1608, 50V/0.1uF)			
C345	nsp	CAP , CHIP (1608, 50V/1000pF)			
C346,347	nsp	CAP , CHIP (1608, 50V/100pF)			
C348	nsp	CAP , ELECT 10UF 50V			
C349-352	nsp	CAP , CHIP (1608, 50V/0.1uF)			
C353	nsp	CAP , ELECT 10UF 50V			
C354	nsp	CAP , CHIP (1608, 50V/0.1uF)			
C355	nsp	CAP , CHIP (1608, 50V/1000pF)			
C357,358	nsp	CER. CAP. 4.7uF 10V			
C360,361	nsp	CER. CAP. 4.7uF 10V			
C368-370	nsp	CAP , CHIP (1608, 50V/1000pF)			
C371	nsp	CAP , CHIP (1608, 50V/0.1uF)			
C372	nsp	CAP , CHIP (1608, 50V/1000pF)			
C373	nsp	CAP , CHIP (1608, 50V/0.1uF)			
C374	nsp	CAP , CHIP (1608, 50V/1000pF)			
C375	nsp	CAP , CHIP (1608, 50V/0.1uF)			
C376	nsp	CAP , CHIP (1608, 50V/0.01uF)			
C377	nsp	CAP , CHIP (1608, 50V/1000pF)			
C388	nsp	CER. CAP. 4.7uF 25V			
C389	nsp	CAP , CHIP (1608, 50V/0.1uF)			
C499,500	nsp	CAP , ELECT 10UF 50V			
C503	nsp	CAP , ELECT 100UF 10V			
C504	nsp	CAP, CHIP (4.7uF/25V, 2012, MURATA GRM21)			
C505	nsp	CAP , CHIP (1608, 50V/0.1uF)			
C506,507	nsp	CAP, CHIP (4.7uF/25V, 2012, MURATA GRM21)			
C508	nsp	CAP , CHIP (1608, 50V/0.1uF)			
C509	nsp	CAP , CHIP (1608, 50V/1000pF)			
C510	nsp	CAP , CHIP (1608, 50V/0.1uF)			
C511	nsp	CAP , CHIP (1608, 50V/1000pF)			
C512	nsp	CAP , CHIP (1608, 50V/0.1uF)			
C513-515	nsp	CAP , CHIP (1608, 50V/1000pF)			
C516-518	nsp	CAP , CHIP (1608, 50V/0.1uF)			
C519	nsp	CAP , CHIP (1608, 50V/1000pF)			
C520	nsp	CAP , CHIP (1608, 50V/0.1uF)			
C521	nsp	CAP , CHIP (1608, 50V/1000pF)			
C522,523	nsp	CAP , CHIP (1608, 50V/0.1uF)			
C524	nsp	CAP , CHIP (1608, 50V/1000pF)			
C525	nsp	CAP , CHIP (1608, 50V/0.1uF)			
C526	nsp	CAP , CHIP (1608, 50V/1000pF)			
C527,528	nsp	CER. CAP. 4.7uF 25V			
C529-531	nsp	CAP , CHIP (1608, 50V/100pF)			
C532-534	nsp	CAP , CHIP (1608, 50V/0.1uF)			
C535	nsp	CAP , ELECT 100UF 10V			
C536	nsp	CAP , CHIP (1608, 50V/0.1uF)			
C537	nsp	CAP , CHIP (1608, 50V/1000pF)			
C538	nsp	CAP , CHIP (1608, 50V/0.1uF)			
C539	nsp	CAP , CHIP (1608, 50V/1000pF)			
C540,541	nsp	CAP , CHIP (1608, 50V/0.1uF)			
C542,543	nsp	CAP , CHIP (1608, 50V/9pF)			
C544,545	nsp	CER. CAP. 4.7uF 25V			

Ref. No.	Part No.	Part Name	Remarks	Q'ty	New
C547	nsp	CAP , CHIP (1608, 50V/0.1uF)		CCUS1H104KC	
C548,549	nsp	CAP , ELECT 100UF 10V		CCEA1AH101T	
C550	nsp	CAP , CHIP (1608, 50V/0.1uF)		CCUS1H104KC	
C551	nsp	CAP , CHIP (1608, 50V/1000pF)		CCUS1H102KC	
C552	nsp	CAP , CHIP (1608, 50V/0.1uF)		CCUS1H104KC	
C553	nsp	CAP , CHIP (1608, 50V/1000pF)		CCUS1H102KC	
C554-557	nsp	CAP , CHIP (1608, 50V/0.1uF)		CCUS1H104KC	
C558	nsp	CAP , CHIP (1608, 50V/1000pF)		CCUS1H102KC	
C559	nsp	CAP , CHIP (1608, 50V/0.1uF)		CCUS1H104KC	
C560	nsp	CAP , CHIP (1608, 50V/1000pF)		CCUS1H102KC	
C561-564	nsp	CAP , CHIP (1608, 50V/0.1uF)		CCUS1H104KC	
C565	nsp	CAP , CHIP (1608, 50V/1000pF)		CCUS1H102KC	
C566	nsp	CAP , CHIP (1608, 50V/0.1uF)		CCUS1H104KC	
C567	nsp	CAP , CHIP (1608, 50V/1000pF)		CCUS1H102KC	
C568,569	nsp	CAP , CHIP (1608, 50V/0.1uF)		CCUS1H104KC	
C570	nsp	CAP , CHIP (1608, 50V/1000pF)		CCUS1H102KC	
C571-577	nsp	CAP , CHIP (1608, 50V/0.1uF)		CCUS1H104KC	
C578	00D2544711918	CE04W1A221MT F11(KY)		CCEA1CMEAX221T	
C579	00D2544712700	CE04W1C471MC JC5(KY)		CCEA1CMEWXL471T	
C580	nsp	CAP , CHIP (1608, 50V/1000pF)		CCUS1H102KC	
C581	nsp	CAP , CHIP (1608, 50V/0.01uF)		CCUS1H103KC	
C582,583	nsp	CAP , CHIP (3225, 16V/47uF)		CCUR1C476KC	
C584,585	nsp	CAP , CHIP (1608, 50V/1000pF)		CCUS1H102KC	
C586	nsp	CAP , CHIP (1608, 50V/180pF)		CCUS1H181JA	
C587	nsp	CAP , CHIP (1608, 50V/0.1uF)		CCUS1H104KC	
C588	nsp	CAP , CHIP (1608, 50V/0.01uF)		CCUS1H103KC	
C589	nsp	CAP , CHIP (1608, 50V/1000pF)		CCUS1H102KC	
C590	nsp	CAP , CHIP (1608, 50V/0.01uF)		CCUS1H103KC	
C591	00D2544372713	CE04W1V102MHRC(KME)		CCEA1VMEWX102E	
C600	00D2544712700	CE04W1C471MC JC5(KY)		CCEA1CMEWXL471T	
C623,624	nsp	CAP , CHIP (1608, 50V/0.1uF)		CCUS1H104KC	
C626	nsp	CAP , CHIP (1608, 50V/0.1uF)		CCUS1H104KC	
C631-643	nsp	CAP , CHIP (1608, 50V/0.1uF)		CCUS1H104KC	
C644	nsp	CAP , CHIP (1608, 50V/0.01uF)		CCUS1H103KC	
C655	nsp	CAP , CHIP (1608, 50V/1000pF)		CCUS1H102KC	
C663	nsp	CAP , CHIP (1608, 50V/0.1uF)		CCUS1H104KC	
C664	nsp	CAP , ELECT(220uF/6.3V)		CCEA0JKS221T	
C669	nsp	CAP , CHIP (1608, 50V/0.1uF)		CCUS1H104KC	
C670	nsp	CAP , CHIP (1608, 50V/1000pF)		CCUS1H102KC	
C671	nsp	CAP , CHIP (1608, 50V/0.01uF)		CCUS1H103KC	
C672	nsp	CAP , ELECT 220UF 10V		CCEA1AKS221T	
C700	nsp	CAP , CHIP (1608, 50V/0.1uF)		CCUS1H104KC	
C701	nsp	CAP , CHIP (1608, 50V/1000pF)		CCUS1H102KC	
C702	nsp	CAP , CHIP (1608, 50V/0.01uF)		CCUS1H103KC	
C703	nsp	CAP , CHIP (1608, 50V/0.1uF)		CCUS1H104KC	
C704	nsp	CAP , CHIP (1608, 50V/1000pF)		CCUS1H102KC	
C705	nsp	CAP , CHIP (1608, 50V/0.01uF)		CCUS1H103KC	
C706	nsp	CAP , CHIP (1608, 50V/0.1uF)		CCUS1H104KC	
C707	nsp	CAP , CHIP (1608, 50V/1000pF)		CCUS1H102KC	
C708,709	nsp	CAP , CHIP (1608, 50V/0.01uF)		CCUS1H103KC	
C710	nsp	CAP , CHIP (1608, 50V/1000pF)		CCUS1H102KC	
C711	nsp	CAP , CHIP (1608, 50V/0.1uF)		CCUS1H104KC	

Ref. No.	Part No.	Part Name	Remarks	Q'ty	New
C712	nsp	CAP , CHIP (1608, 50V/0.01uF)			
C713	nsp	CAP , CHIP (1608, 50V/1000pF)			
C714	nsp	CAP , CHIP (1608, 50V/0.1uF)			
C715	nsp	CAP , CHIP (1608, 50V/0.01uF)			
C716	nsp	CAP , CHIP (1608, 50V/1000pF)			
C717	nsp	CAP , CHIP (1608, 50V/0.1uF)			
C801,802	nsp	CAP , CHIP (1608, 50V/0.1uF)			
C803	nsp	CER. CAP. 4.7uF 25V			
C805	nsp	CAP , CHIP (1608, 50V/1000pF)			
C806	nsp	CAP , CHIP (1608, 50V/0.1uF)			
C808,809	nsp	CER. CAP. 4.7uF 10V			
C816	nsp	CAP , CHIP (1608, 50V/0.1uF)			
C817	nsp	CAP , CHIP (1608, 50V/0.01uF)			
C818	nsp	CAP , CHIP (1608, 50V/1000pF)			
C819	nsp	CAP , CHIP (1608, 50V/100pF)			
C820	nsp	CAP , CHIP (1608, 50V/0.1uF)			
C821	nsp	CAP , CHIP (1608, 50V/0.01uF)			
C822	nsp	CAP , CHIP (1608, 50V/1000pF)			
C823	nsp	CAP , CHIP (1608, 50V/100pF)			
C827	nsp	CAP , CHIP(2012, 1uF/50V)			
C828,829	nsp	CAP, CHIP (1uF/25V, 1608, MURATA GRM18)			
C830	nsp	CAP , CHIP (1608, 50V/1000pF)			
C831,832	nsp	CER. CAP. 4.7uF 25V			
C833	nsp	CAP , ELECT 10UF 50V KS			
C834	nsp	CAP , CHIP (1608, 50V/0.1uF)			
C835	nsp	CAP , CHIP (1608, 50V/0.01uF)			
C836,837	nsp	CAP , CHIP (1608, 50V/0.1uF)			
C838	nsp	CAP , CHIP (1608, 50V/1000pF)			
C839	nsp	CAP , CHIP (1608, 50V/0.1uF)			
C840	nsp	CAP , ELECT 0.47UF 50V SMALL SIZE			
C841	nsp	CAP , CHIP (1608, 50V/0.01uF)			
C842	nsp	CAP , ELECT 47UF 35V			
C846	nsp	CAP , CHIP (1608, 50V/0.1uF)			
C847	nsp	CAP , CHIP(2012 SIZE)			
C849	nsp	CAP , CHIP (1608, 50V/0.1uF)			
C850	nsp	CAP , ELECT 220UF 10V			
C851-854	nsp	CAP , CHIP (1608, 50V/0.1uF)			
C855	nsp	CAP , CHIP (1608, 50V/0.01uF)			
C856	nsp	CAP , CHIP (1608, 50V/1000pF)			
C857	nsp	CAP , CHIP (1608, 50V/0.1uF)			
C858	nsp	CAP , CHIP (1608, 50V/0.01uF)			
C859	nsp	CAP , CHIP (1608, 50V/1000pF)			
C860	nsp	CAP , CHIP (1608, 50V/0.1uF)			
C861	nsp	CAP , CHIP (1608, 50V/0.01uF)			
C862	nsp	CAP , CHIP (1608, 50V/1000pF)			
C880	nsp	RES , CHIP(0 OHM , 5% , 1608)			
C881	nsp	CAP , CHIP (1608, 50V/0.1uF)			
C882	nsp	CAP , CHIP (1608, 50V/0.01uF)			
C883,884	nsp	CAP , CHIP (1608, 50V/1000pF)			
C885	nsp	CAP , CHIP (1608, 50V/0.01uF)			
C886	nsp	CAP , CHIP (1608, 50V/0.1uF)			
C887	nsp	CAP , CHIP (1608, 50V/1000pF)			

	Ref. No.	Part No.	Part Name	Remarks		Q'ty	New
	C888	nsp	CAP , CHIP (1608, 50V/0.01uF)			CCUS1H103KC	
	C889	nsp	CAP , CHIP (1608, 50V/0.1uF)			CCUS1H104KC	
	C896,897	nsp	CAP , CHIP (1608, 50V/1000pF)			CCUS1H102KC	
	C898	nsp	CAP , CHIP (1608, 50V/0.01uF)			CCUS1H103KC	
	C899	nsp	CAP , CHIP (1608, 50V/1000pF)			CCUS1H102KC	
	C900	nsp	CAP , CHIP (1608, 50V/0.01uF)			CCUS1H103KC	
	C901	nsp	CAP , CHIP (1608, 50V/0.1uF)			CCUS1H104KC	
	C902	nsp	CAP , CHIP (1608, 50V/22pF)			CCUS1H220JA	
△	C903	nsp	CAP , ELECT(KRH, 450V/22UF, 12.5X25)			CCET450VKRH220KS	
	C904,905	nsp	CAP , CHIP (1608, 50V/0.1uF)			CCUS1H104KC	
	C906,907	00D2544569911	CE04W1E470MT(RA3)			CCEA1ERA38P470T	
	C908	nsp	CAP , CHIP (1608, 50V/0.1uF)			CCUS1H104KC	
	C909	00D2544569911	CE04W1E470MT(RA3)			CCEA1ERA38P470T	
	C910,911	nsp	CAP , CHIP (1608, 50V/0.1uF)			CCUS1H104KC	
	C912,913	00D2544569911	CE04W1E470MT(RA3)			CCEA1ERA38P470T	
	C914	nsp	CAP , CHIP (1608, 50V/0.1uF)			CCUS1H104KC	
	C915	nsp	CAP , ELECT 3300UF/35V			CCEA1VH332E	
	C916	nsp	CAP , CHIP (1608, 50V/0.1uF)			CCUS1H104KC	
	C918	nsp	CAP , CHIP (1608, 50V/0.1uF)			CCUS1H104KC	
	C919	nsp	CAP , CHIP (1608, 50V/22pF)			CCUS1H220JA	
	C920	nsp	CAP , CHIP KDS160-RTK/P			CCUC1H474KC	
	C921	nsp	CAP , CHIP ELECT 10UF / 16V			HCEC1CRV2100T	
	C922,923	nsp	CAP , CHIP (1608, 50V/0.01uF)			CCUS1H103KC	
	C924,925	nsp	CAP , CHIP (1608, 50V/0.1uF)			CCUS1H104KC	
	C926	nsp	CAP , CHIP (1608, 50V/47pF)			CCUS1H470JA	
	C928	nsp	CAP , CHIP (1608, 50V/0.1uF)			CCUS1H104KC	
	C929	nsp	CAP , CHIP (1608, 50V/1000pF)			CCUS1H102KC	
	C930	nsp	CAP , CHIP (1608, 50V/0.01uF)			CCUS1H103KC	
	C931	nsp	CAP , CHIP (1608, 50V/1000pF)			CCUS1H102KC	
	C932	nsp	CAP , CHIP (1608, 50V/0.1uF)			CCUS1H104KC	
	C933	nsp	CAP , ELECT 6800UF 35V			CCET35VKL5682NK	
	C934	nsp	CAP , CHIP (1608, 50V/0.1uF)			CCUS1H104KC	
	C935,936	nsp	CAP , CHIP (3225, 16V/47uF)			CCUR1C476KC	
	C937	00D2544569924	CE04W1E101MT(RA3)			CCEA1ERA38P101T	
	C938	nsp	CAP , CHIP (1608, 50V/0.1uF)			CCUS1H104KC	
	C939	nsp	CAP , CHIP (1608, 50V/1000pF)			CCUS1H102KC	
	C940	nsp	CAP , CHIP (1608, 50V/0.1uF)			CCUS1H104KC	
	C941	nsp	CAP , ELECT 2200UF 25V			CCEA1EH222E	
	C942	nsp	CAP , CHIP (1608, 50V/0.022uF)			CCUS1H223KC	
	C943	nsp	CAP , CHIP (1608, 50V/0.1uF)			CCUS1H104KC	
	C944	nsp	CAP , ELECT 470UF 16V ZF			CCEA1CH471T	
	C945	00D2544569911	CE04W1E470MT(RA3)			CCEA1ERA38P470T	
	C946	nsp	CAP , CHIP (1608, 50V/0.1uF)			CCUS1H104KC	
	C947	nsp	CAP , CHIP (1608, 50V/0.012uF)			CCUS1H123KC	
	C949	134050090208S	CE04W1C102MC J20(KY)			CCEA1AKLH102EKS	
	C950	nsp	CAP , CHIP(2012, 1uF/50V)			CCUC1H105KC	
	C951	nsp	CAP , ELECT 470UF 10V			CCEA1AH471TS	
△	C952	nsp	CAP , CERAMIC(X1/Y2/SC) 0.0047UF/2.5KV			KCKDKS472ME	
	C953	nsp	CAP , ELECT 10UF 50V			CCEA1HH100T	
	C954	nsp	CAP , CHIP (1608, 50V/0.1uF)			CCUS1H104KC	
	C956	nsp	CAP , ELECT 100UF 25V			CCEA1EH101T	
	C960	nsp	CAP , ELECT 22UF 50V 105C			CCEA1HH220TS	

Ref. No.	Part No.	Part Name	Remarks	Q'ty	New
C961	nsp	CAP , CHIP (1608, 50V/0.01uF)			
C962	nsp	CAP , CERAMIC EKR3A222K05FK5			
C963	nsp	CAP , CHIP (1608, 50V/0.1uF)			
C967,968	nsp	CAP , CHIP (1608, 50V/22pF)			
C969	00D2544712700	CE04W1C471MC JC5(KY)			
C970	00D2544711918	CE04W1A221MT F11(KY)			
C971	nsp	CAP , CHIP (1608, 50V/1000pF)			
C972	nsp	CAP , CHIP (1608, 50V/0.1uF)			
C973	nsp	CAP , CHIP (1608, 50V/1000pF)			
C974	00D2544709700	CE04W1V221MC JC5(KY)			
C975	nsp	CAP , CHIP (1608, 50V/0.01uF)			
C976	nsp	CAP , CHIP (1608, 50V/1000pF)			
C977	nsp	CAP , CHIP (1608, 50V/0.01uF)			
C978	nsp	CAP , CHIP (1608, 50V/0.1uF)			
C979	nsp	CAP , CHIP (1608, 50V/180pF)			
C980	nsp	CAP , CHIP (1608, 50V/1000pF)			
C981	nsp	CAP , CHIP KDS160-RTK/P			
C982	nsp	CAP , CHIP (1608, 50V/0.1uF)			
C983	nsp	CAP , CHIP (1608, 50V/1000pF)			
C984	nsp	CAP , CHIP (1608, 50V/0.1uF)			
C985	nsp	CAP , CHIP (1608, 50V/1000pF)			
C986	nsp	CAP , CHIP (1608, 50V/0.01uF)			
C987	nsp	CAP , CHIP (1608, 50V/0.1uF)			
C988	nsp	CAP , CHIP (1608, 50V/1000pF)			
C989	nsp	CAP , CHIP (1608, 50V/0.01uF)			
C990	nsp	CAP , CHIP(2012, 2200PF/50V)			
C991	00D2544569911	CE04W1E470MT(RA3)			
C992-994	nsp	CAP , CHIP (1608, 50V/0.01uF)			
C995	nsp	CAP , ELECT 10UF 16V KS			
C998	nsp	CAP , CHIP (1608, 50V/0.1uF)			
C999	nsp	CAP , CHIP (1608, 50V/1000pF)			
OTHER PATRS GROUP					
BN82	nsp	WIRE ASS'Y(7P, 2MM, 80MM)			
BN83	nsp	WIRE ASS'Y(5P, 2MM, 100MM)			
BN93	nsp	LOCKING TYPE , STRAIGHT WAFER , 2mm			
BN99	nsp	WIRE ASS'Y(8P, 2MM, 120MM)			
CM81	943179011170S	OLED MODULE			
CN1	nsp	WAFER, STRSIGHT, 1MM, SMD			
CN01	nsp	WIRE ASS'Y(5P, 2MM, 350MM, SHIELD)			
CN10	nsp	WAFER FCZ100E-11SSK			
CN24	nsp	WAFER FCZ100E-11SSK			
CN31	nsp	WAFER(11P, ST 1.25MM)			
CN32	nsp	WAFER , CARD CABLE (SMD, 1MM)			
CN40	nsp	LOCKING TYPE , STRAIGHT WAFER (2mm)			
CN82	nsp	WAFER (9P LOCK ANGLE 2.0MM)			
CN83	nsp	LOCKING TYPE , STRAIGHT WAFER , 2mm			
CN84	nsp	WAFER, SMD (30P, 0.5mm, FRONT FLIP)			
CN88	nsp	WAFER, STRSIGHT, 1MM, SMD			

	Ref. No.	Part No.	Part Name	Remarks		Q'ty	New
△	CN91	nsp	WAFER		CJP02KA060ZY		
	CN92	nsp	WAFER		CJP02GA89ZY		
	CN93	nsp	LOCKING TYPE , STRAIGHT WAFER, 2.5MM		CJP03GI237ZW		
△	CX91	943133003080S	CAP , POLYPROPYLENE FILM DMPX224K2SP150B		CCQF2E224KZE		
△	CX92	90M-OF100500R	CAP , POLYPROPYLENE FILM DMPX104K2SP150B		HCQF2E104KZE		
△	CY91,92	90M-DK100930R	CAP , CERAMIC (400V Y-CAP) SDE102M10FF7		CCKDHS102ME		
△	CY94	90M-DK100930R	CAP , CERAMIC (400V Y-CAP) SDE102M10FF7		CCKDHS102ME		
	DL50	90M-HI200020R	INFRARED L.E.D SIR-34ST3F		BVDSIR34ST3F		
	ET21	nsp	BRACKET , PCB		CMD1A569		
	ET61	nsp	BUBBER , IR		CHG1A491		
△	F901	00D2061099032	FUSE , 250V/2A		KBA2C2000TLHEY		
△	F902	943652012180S	FUSE , 250V/2AL		KBA2D2000TLET		
	FH91,92	nsp	HOLDER , FUSE		KJCF5S		
	J10	nsp	PALTE , EARTH MET37-0002		HJT1A025		
	J11	nsp	PALTE , EARTH MET37-0002		HJT1A025		
	J15	nsp	PALTE , EARTH MET37-0002		HJT1A025		
	J18	nsp	PALTE , EARTH MET37-0002		HJT1A025		
	J601,602	nsp	RES , CHIP(0 OHM , 5% , 1608)		CRJ10DJ0R0T		
	J903	nsp	RES , CHIP , 0 OHM , 5% , 1/8W , 2012		CRJ18AJ0R0T		
	JK21	943646000840S	JACK , BOARD		CJJ4M056W		
	JK22	943643008490S	JACK , DIN 9P		CJS6V001Z		
	JK31	90M-YT004860R	JACK , STEREO		CJJ2D008Z		
	JK32	90M-YT003120R	JACK , IN/OUT		CJJ4N036Z		
	JK81	943643001320S	JACK , USB STRAIGHT(BLACK)		CJJ9X006Z		
	JK90	00D9430159904	JACK , 9P D-SUB FEMALE(RS-232C, SEMCO)		CJJ9W001Z		
	JK91	943644012170S	JACK , USB_B TYPE		CJJ9L020Z		*
	JK92	262010004005S	MODULE , OPTICAL (RX, 25Mb/s, 3.3V)		CJSTORX147LFTJ		
	JK93	943646000840S	JACK , BOARD		CJJ4M056W		
	L1	nsp	COIL , SMD POWER (10UH/3A)		CLQ12E100MRZ		
	L201	00D2318063009	PULSE TRANS		CLU9S007Z		
	L202	nsp	FERRITE CORE		CLZ9Z014Z		
	L203	nsp	FERRITE , CHIP BEAD(220ohm, 2012)		CLZ9R006Z		
	L204	nsp	COIL , SMD POWER (22UH/3A)		CLQ13E220MRZ		
	L301,302	nsp	FERRITE , CHIP BEAD(220ohm, 2012)	N	CLZ9R006Z		
	L303,304	nsp	FERRITE , CHIP BEAD(60ohm, 2012)	N	CLZ9R001Z		
	L308,309	nsp	RES , CHIP , 0 OHM , 5% , 1/8W , 2012		CRJ18AJ0R0T		
	L405	nsp	COIL , SMD POWER (10UH/3A)		CLQ12E100MRZ		
	L801,802	nsp	FERRITE , CHIP BEAD(60ohm, 2012)		CLZ9R001Z		
	L901	nsp	COIL , SMD POWER (22UH/3A)		CLQ13E220MRZ		
	L904	nsp	FERRITE , CHIP BEAD(60ohm, 4516)		CLZ9Z014Z		
	L921	nsp	COIL , CHOKE(22uH)		CLZ9Z074Z		

	Ref. No.	Part No.	Part Name	Remarks		Q'ty	New
△	LF91,92	943149003340S	LINE FILTER(10MH)		CLZ9Z086Z		
	PC91	90M-HW100710R	I.C , PHOTO COUPLER		HVIPC17L1CB		
	RC81	00MHW10004210	SENSOR , REMOCON		CRVRPM6936V4		
△	RY91	943682004660S	RELAY , POWER		CSL1E002ZE		
	S601	00D2120486007	EC12E24204A8		CSR2A051Z		
	S802-812	90M-SP001210R	SW , TACT		CST1A012ZT		
	SC31	nsp	BRACKET , SHIELD		CMD1A512		
	SW81	90M-SP001210R	SW , TACT		CST1A012ZT		
△	TF91	943102011250S	TRANS , SWITCHING (EE1625, M-CR603)		CLT9Z064ZE		
△	TH91	90M-HH000110R	NTC , THERMISTOR (10MM PITCH)		KRT5D15MSFC		
	TX21	263010017004S	TOTX147L(25M,F,T,J)		CJSTOTX147LFTJ		
△	VT91	943251003480S	VARISTOR		CRVSVC471D14A		
	X201	HOX12288E320TF	CRYSTAL, 12.288MHz, HC-49/S, 22pF, 20PPM, 15ohm		HOX12288E220TFB		
	X202	00D3990887903	CSTCE16MOV53-R0 +2125		COXCSTCE16M0V51		
	X501	00D3991054900	FCX-03(20.815MHz)		COX20815I060SD		
	X802	00D3990887903	CSTCE16MOV53-R0 +2125		COXCSTCE16M0V51		
	X901	00D3991041007	X-TAL(12MHZ)		COX12000E200TF		
		nsp	COVER, SHIED OLED		CMC1A405		
		nsp	HOLDER, OLED		CMH1A309		
		nsp	A-ROHS/LABEL,SERIAL		CQB1D022		
		nsp	TUBE , UL		C4B120122		

ETHER NET PCB ASS'Y

Ref. No.	Part No.	Part Name	Remarks	Q'ty	New
SEMICONDUCTORS GROUP					
U0101	nsp	POLY SWITCH (1.6A, 8V)		CBA5H1600PSUYT	
U0103	nsp	IC , DCDC Converter (3.5A, SOP8) SANKEN		CVISI8005QTL	
U0104	nsp	REGULATOR (SHARP)		HVIPQ012FZ01ZP	
U105	nsp	I.C , REGULATOR (3.3V, DPAK-5)		CVIKIA78R033F	
U3900	nsp	Network Media processor		CVIDM860	
U3901	nsp	1G NAND Flash		CVINAND01GW3B2CN6E	
U3902	nsp	IC, SDRAM (4M x 16Bit x 4Banks, 166Mhz, DRAM)		CVIM12L2561616A6TG2K	
U4201	nsp	Pulse-Trans (HIGH SPEED LAN MAGNETICS)		CVIS558-5999U7F	
U4202	nsp	I.C, ETHERNET PHY		CVILAN8700CAEZGTR	
U4204	nsp	I.C , IPOD AUTHENTICATION CHIP FROM MARANTZ		CVI236710076509S-DM	
D0101	nsp	DIODE , ZENER (CHIP,7.5V)		HVDUDZS7.5BSR	
D0102	nsp	DIODE , SCHOTTKY (40V,3A, DO-214AC) DELTA		CVDSS34SR	
D0103-0105	nsp	DIODE , CHIP		CVDKDS160RTKP	
Q0101	nsp	MOSFET (P-CH, 2.5V POWER TRENCH)		CVTFDC608PZ	
Q0102	nsp	T.R , CHIP , SOT-23		HVTKRC102S	
Q0103	nsp	T.R , CHIP , SOT-23		HVTKRC104S	
Q0104	nsp	T.R , CHIP , SOT-23		CVTKRC104S	
Q0105	nsp	T.R , CHIP , SOT-23		HVTKRC102S	
Q3900	nsp	T.R , CHIP , SOT-23		HVTKRA102S	
Q3901	nsp	T.R , CHIP , SOT-23		HVTKRC102S	
Q4203	nsp	T.R , CHIP , SOT-23		HVTKRC102S	
CAPACITORS GROUP					
C0101	nsp	CAP , CHIP (1608, 50V/1000pF)		CCUS1H102KC	
C0102	nsp	CAP , CHIP (1608, 50V/0.01uF)		CCUS1H103KC	
C0103	nsp	CAP , CHIP (1608, 50V/0.1uF)		CCUS1H104KC	
C0104	nsp	CAP , CHIP (1005, 25V/0.01uF)		CCUI1E103KC	
C0105	nsp	CAP , CHIP (1005, 10V/0.1uF)		CCUI1A104KC	
C0106	nsp	CAP , CHIP ELECT(220UF/6.3V)		HCEC0JRV2221T	
C0107	nsp	CAP , CHIP (1608, 50V/0.1uF)		CCUS1H104KC	
C0108	nsp	CAP , CHIP (1608, 10V/1uF)		CCUS1A105KC	
C0112	nsp	CAP , CHIP (1608, 50V/1000pF)		CCUS1H102KC	
C0113	nsp	CAP , CHIP (1608, 50V/0.01uF)		CCUS1H103KC	
C0114	nsp	CAP , CHIP (1608, 50V/1000pF)		CCUS1H102KC	
C0115	nsp	CAP , CHIP (1005, 16V/0.1uF)		CCUI1C104KC	
C0116	nsp	CAP , CHIP (1608, 50V/0.01uF)		CCUS1H103KC	
C0117	nsp	CAP , CHIP (1005, 50V/0.01uF)		CCUI1H103KC	
C0118	nsp	CAP , CHIP (1005, 50V/1000pF)		CCUI1H102KC	
C0119,0120	nsp	CAP , CHIP (1005, 10V/0.1uF)		CCUI1A104KC	
C0121	nsp	CAP , CHIP (1608, 50V/1000pF)		CCUS1H102KC	
C0122	nsp	CAP , CHIP (1608, 50V/0.1uF)		CCUS1H104KC	
C0123	nsp	CAP , CHIP ELECT		HCEC0JRV2101T	
C0124	nsp	CAP , CHIP (1608, 50V/180pF)		CCUS1H181JA	
C0125	nsp	CAP , CHIP (1005, 16V/0.1uF)		CCUI1C104KC	
C0126	nsp	CAP , CHIP (1608, 50V/0.1uF)		CCUS1H104KC	

Ref. No.	Part No.	Part Name	Remarks	Q'ty	New
C0127	nsp	CAP , CHIP (1608, 50V/1000pF)			
C0128	nsp	CAP , CHIP (1608, 50V/0.01uF)			
C0129	nsp	CAP, ELECT, SMD, 220UF/35V, RV2			
C0130	nsp	CAP , CHIP ELECT			
C0131,0132	nsp	CAP , CHIP (1608, 50V/0.1uF)			
C0133	nsp	CAP , CHIP ELECT			
C0134	nsp	CAP , CHIP ELECT			
C0135	nsp	CAP , CHIP (1608, 50V/1000pF)			
C0136	nsp	CAP , CHIP (10UF/6.3V K X5R 2012)			
C0137	nsp	CAP , CHIP (1608, 50V/100pF)			
C0139	nsp	CAP , CHIP ELECT			
C0141	nsp	CAP , CHIP ELECT			
C0142,0143	nsp	CAP , CHIP (1608, 50V/0.1uF)			
C0144,0145	nsp	CAP , CHIP (1608, 50V/1000pF)			
C0146,0147	nsp	CAP , CHIP (3225, 16V/47uF)			
C0148,0149	nsp	CAP, CHIP (4.7uF/6.3V, 1608, MURATA GRM18)			
C0150	nsp	CAP, ELECT, SMD, 100UF/35V, RV2			
C3900	nsp	CAP , CHIP (1005, 50V/1000pF)			
C3901,3902	nsp	CAP , CHIP (1005, 50V/12pF)			
C3904-3907	nsp	CAP, CHIP (4.7uF/6.3V, 1608, MURATA GRM18)			
C3908-3918	nsp	CAP , CHIP (1005, 10V/0.1uF)			
C3923	nsp	CAP, CHIP (4.7uF/6.3V, 1608, MURATA GRM18)			
C3926-3929	nsp	CAP, CHIP (4.7uF/6.3V, 1608, MURATA GRM18)			
C3930-3939	nsp	CAP , CHIP (1005, 10V/0.1uF)			
C3944	nsp	CAP, CHIP (4.7uF/6.3V, 1608, MURATA GRM18)			
C3947	nsp	CAP, CHIP (4.7uF/6.3V, 1608, MURATA GRM18)			
C3950-3958	nsp	CAP , CHIP (1005, 10V/0.1uF)			
C4200	nsp	CAP , CHIP (1005, 50V/1000pF)			
C4202	nsp	CAP , CHIP (1608, 50V/0.022uF)			
C4203	nsp	CAP , CHIP (1005, 50V/1000pF)			
C4204	nsp	CAP, CHIP (4.7uF/6.3V, 1608, MURATA GRM18)			
C4205	nsp	CAP , CHIP (1005, 50V/1000pF)			
C4206	nsp	CAP, CHIP (4.7uF/6.3V, 1608, MURATA GRM18)			
C4209	nsp	CAP , CHIP (1005, 50V/1000pF)			
C4210,4211	nsp	CAP , CHIP (1005, 10V/0.1uF)			
C4213	nsp	CAP, CHIP (4.7uF/6.3V, 1608, MURATA GRM18)			
C4215,4216	nsp	CAP, CHIP (4.7uF/6.3V, 1608, MURATA GRM18)			
C4218	nsp	CAP, CHIP (4.7uF/6.3V, 1608, MURATA GRM18)			
C4219-4221	nsp	CAP , CHIP (1005, 10V/0.1uF)			
C4225	nsp	CAP , CHIP (1608, 50V/1000pF)			
C4226	nsp	CAP, CHIP (4.7uF/6.3V, 1608, MURATA GRM18)			
C4228	nsp	CAP , CHIP (1005, 10V/0.1uF)			
C4229	nsp	CAP , CHIP (1608, 50V/0.01uF)			
C4230	nsp	CAP , CHIP (1608, 50V/0.1uF)			
C4231-4233	nsp	RES , CHIP(0 OHM , 5% , 1608)			
C4234	nsp	CAP , CHIP (1608, 50V/1000pF)			
C4235	nsp	CAP , CHIP (1608, 50V/0.01uF)			
C4236	nsp	CAP , CHIP (1608, 50V/0.1uF)			
C4237	nsp	CAP , CHIP (1608, 50V/1000pF)			
C4238	nsp	CAP , CHIP (1608, 50V/0.01uF)			
C4239	nsp	CAP , CHIP (1608, 50V/0.1uF)			
C4242	nsp	CAP , CHIP (1608, 50V/1000pF)			

Ref. No.	Part No.	Part Name	Remarks	Q'ty	New
C4243	nsp	CAP , CHIP (1608, 50V/0.01uF)			
C4244-4246	nsp	CAP , CHIP (1608, 50V/0.1uF)			
RESISTORS GROUP					
R0113	nsp	RES, CHIP 3.9KOHM/1608/1%			
R0114	nsp	RES , CHIP(1608, 1% , 43K OHM)			
R0115	nsp	RES. CHIP (5.1K 1%)			
R3916	nsp	RES , CHIP(1608, 1% , 3K OHM)			
R3917	nsp	RES , CHIP 1%			
R3918	nsp	RES, CHIP 6.2KOHM/1608/1%			
R4200	nsp	RES, CHIP 1% 75 OHM			
R4202,4203	nsp	RES, CHIP 1% 75 OHM			
R4206-4209	nsp	RES , CHIP(1608, 1% , 51 OHM)			
R4223	nsp	RES, CHIP 6.8KOHM/1608/1%			
R4224	nsp	RES, CHIP 5.6KOHM/1608/1%			
OTHER PATRS GROUP					
L0101	nsp	COIL , SMD POWER (22UH/3A)			
L3900-3902	nsp	FERRITE , CHIP BEAD(220ohm, 2012)			
L4202-4206	nsp	FERRITE , CHIP BEAD(220ohm, 2012)			
N0101	nsp	WAFER , SMD (2MM PITCH)			
N0103	nsp	WAFER, 2mm, SMD, Vertical, 8P			
N4200	00D2051333009	RJ45 with LED			
N4201	nsp	WAFER , CARD CABLE (SMD, 1MM)			
X3900	nsp	X-tal (SMD, 24Mhz, FCX-05)			
Z4201,4202	nsp	BRACKET , PCB			